


















INTERCONNECTION HARDWARE CATALOG

	Quick Disconnect Terminals	page 2
	Crimp Terminals	52
	Eyelet Terminals	67
	Receptacles	83
	Fuse Clip Terminals	100
	Spring Clips	103
	Screw Terminals	106
	Ring Terminals	115
	Solder Terminals	125
	Solder Lug Terminals	186
	Lockwashers	266
	Jumper Terminals	285
	Angle Brackets	293
	Cable Clamps	301
	Screws & Wire Clamps	306
	Strip Terminals	310
	Specifications and Tolerances	315
	Plating Specifications	316
	Wire Sizes	317
	Drill Sizes, Machine Screw Size and Stud Hole	318
	Typical Properties of Selected Materials	319

Quick Disconnect Terminals



[.110" \(2.79mm\)](#)



[.187" \(4.75mm\)](#)



[.250" \(6.35mm\)](#)

0.110" (2.79mm)



[Part Number 916-093](#)

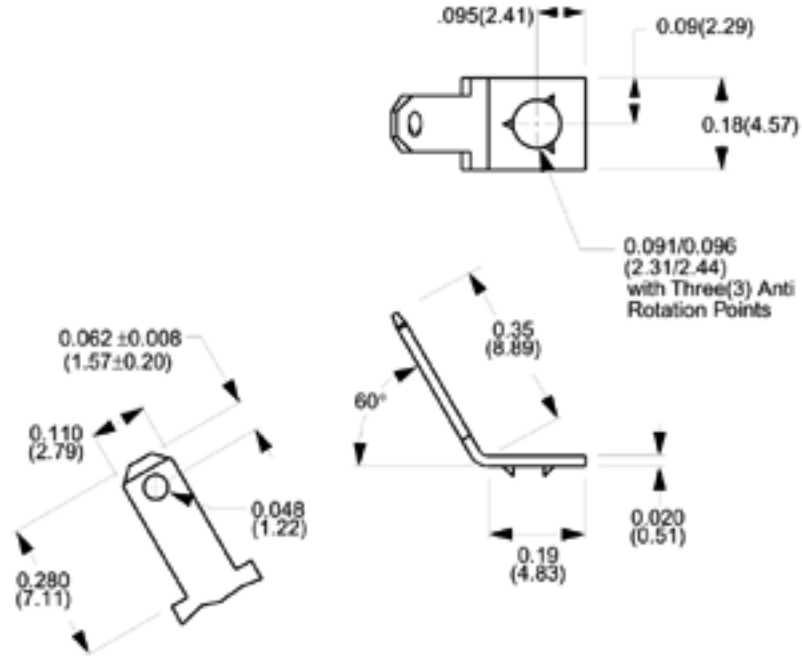


[Part Number 921-093](#)



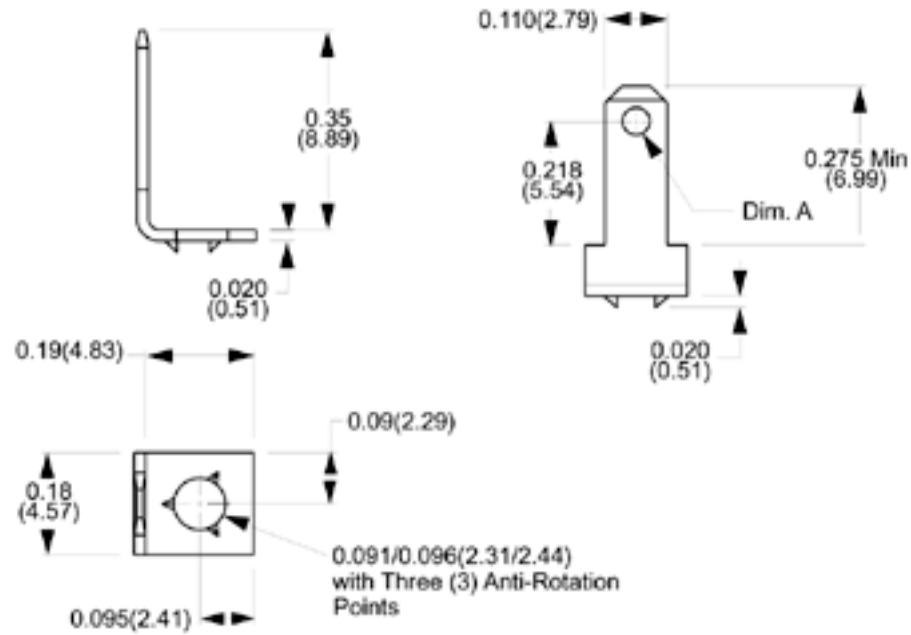
[Part Number 989](#)

Part Number 916-093



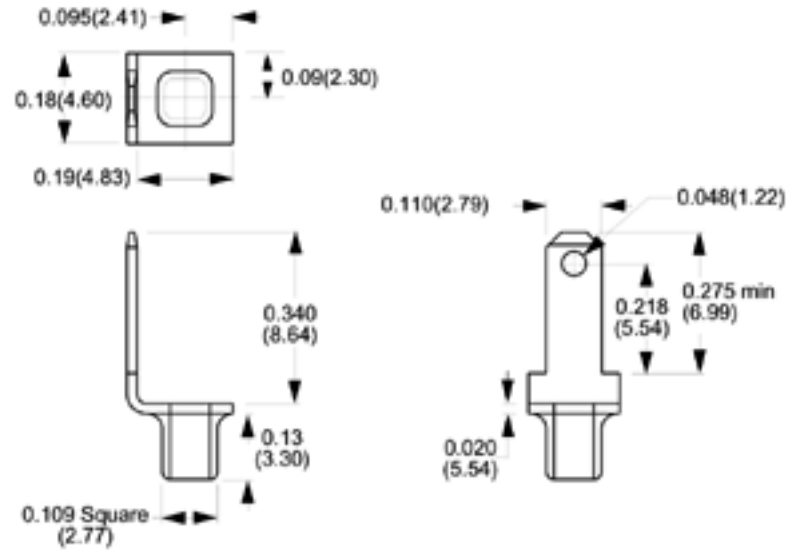
Part Number	Material Type	Finish Code	Inventory Type
916-093	C26000 Brass	5	Stock

Part Number 921-093



Part Number	Material Type	Finish Code	Inventory Type	Dim 'A'
921-093	C26000 Brass	5	Special	0.048 (1.22mm)

Part Number 989



Part Number	Material Type	Finish Code	Inventory Type
989	C26000 Brass	0	Stock

0.187" (4.75mm)



[Straight](#)



[Angled](#)

Straight



[Part Number 867-169](#)

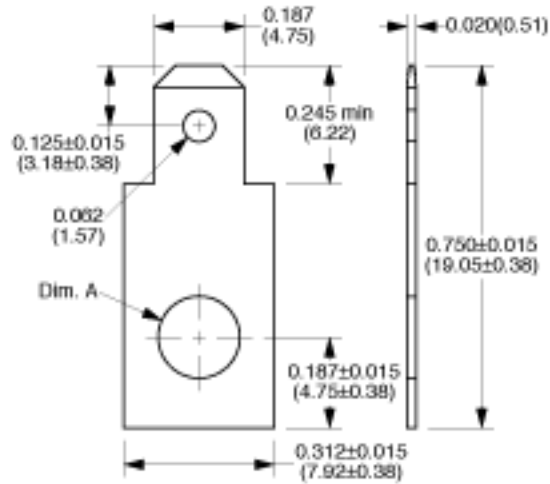


[Part Numbers 939](#)



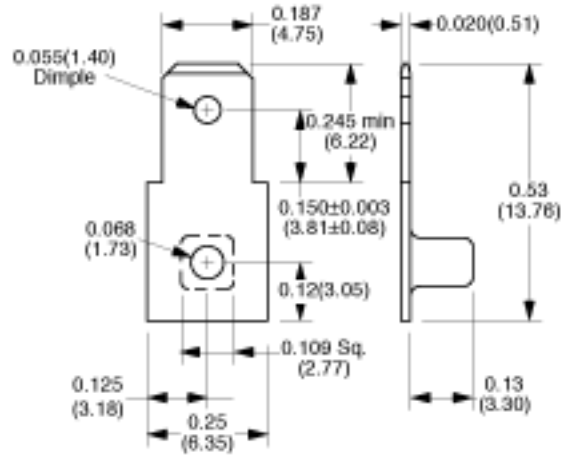
[Part Numbers 879-144](#)

Part Number 867-169



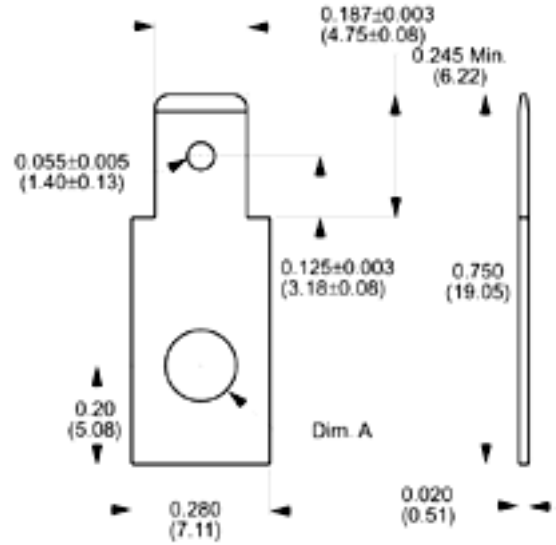
Part Number	Material Type	Finish Code	Inventory Type	Dim. "A"
867-169	Steel	8	Stock	0.169" (4.29mm)

Part Number 939



Part Number	Material Type	Finish Code	Inventory Type
939	C26000 Brass	0	Stock

Part Number 879-144



Part Number	Material Type	Finish Code	Inventory Type	Dim 'A'
879-144	C26000 Brass	5	Stock	0.144 (3.66mm)

Angled



[Part Number 861-169](#)



[Part Number 838](#)



[Part Number 938](#)

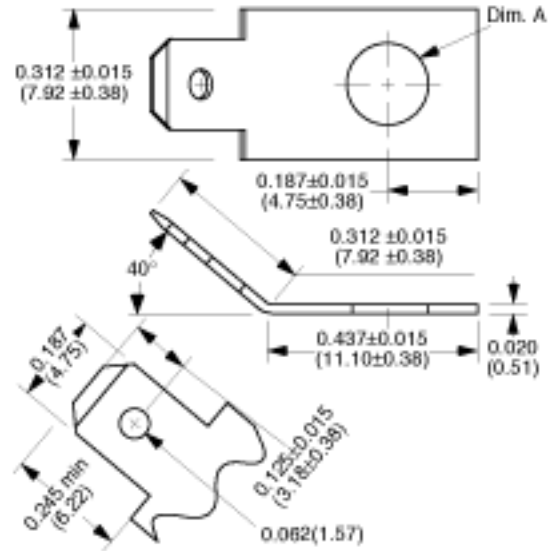


[Part Number 1103-069](#)



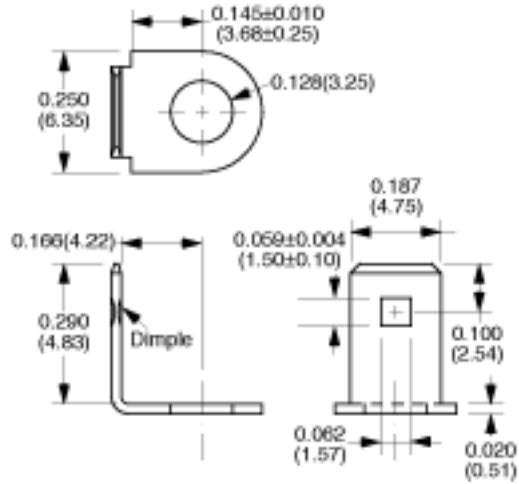
[Part Number 868-100](#)

Part Number 861-169



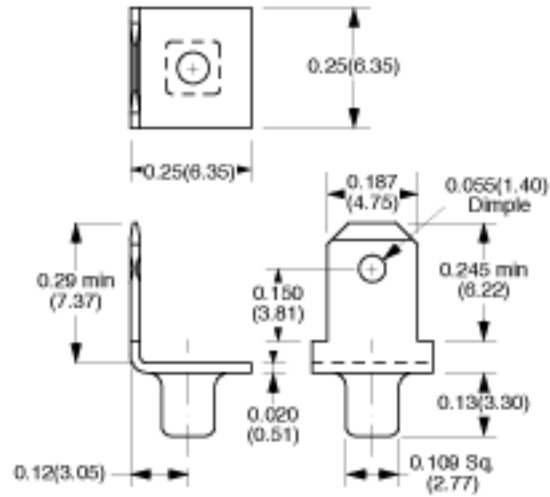
Part Number	Material Type	Finish Code	Inventory Type	Dim 'A'
861-169	Steel	8	Special	0.169 (4.29mm)

Part Number 838



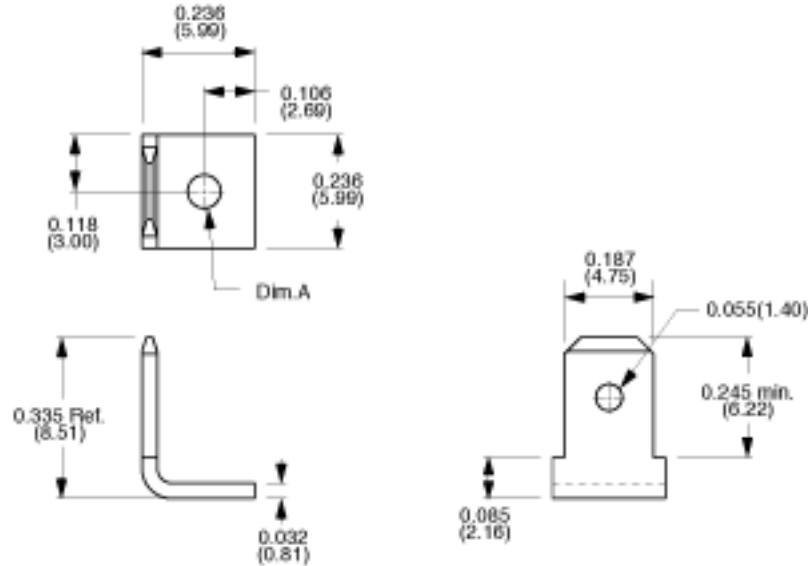
Part Number	Material Type	Finish Code	Inventory Type
838	C26000 Brass	5	Stock

Part Number 938



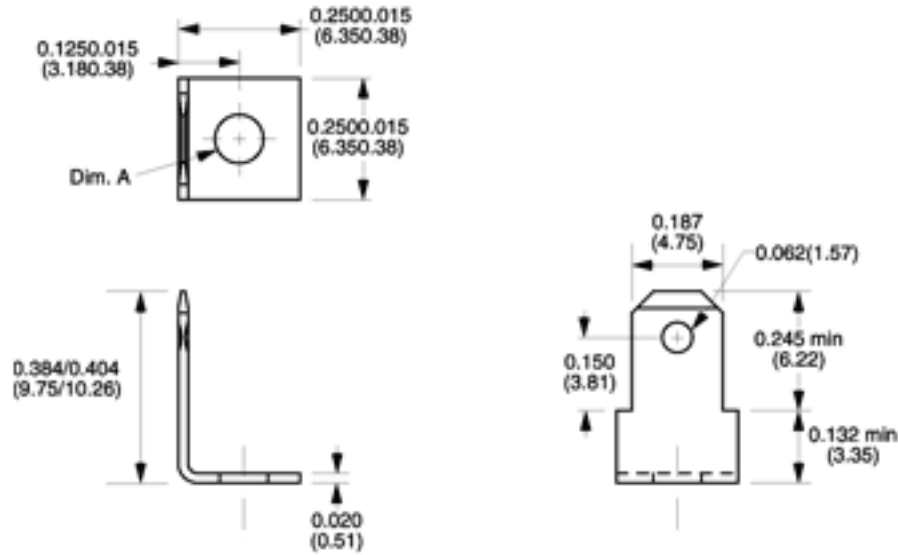
Part Number	Material Type	Finish Code	Inventory Type
938	C26000 Brass	0	Stock

Part Number 1103-069



Part Number	Material Type	Finish Code	Inventory Type	Dim 'A'
1103-069	C26000 Brass	5	Stock	0.069 (1.75mm)

Part Number 868-100



Part Number	Material Type	Finish Code	Inventory Type	Dim 'A'
868-100	Steel	8	Stock	0.100 (2.54mm)

0.250" (6.35mm)



[Straight](#)



[Angled](#)



[Ring Terminal Combo](#)



[Multi-Tab](#)

Straight



[Part Number 763](#)



[Part Numbers 721-xxx](#)



[Part Numbers 920-xxx](#)



[Part Number 878](#)

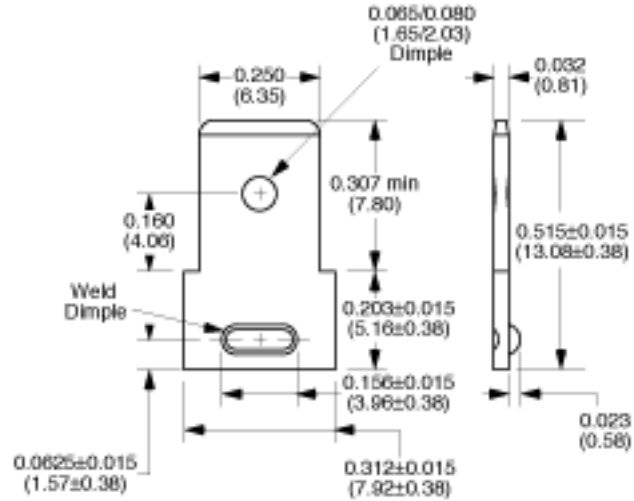


[Part Number 970](#)



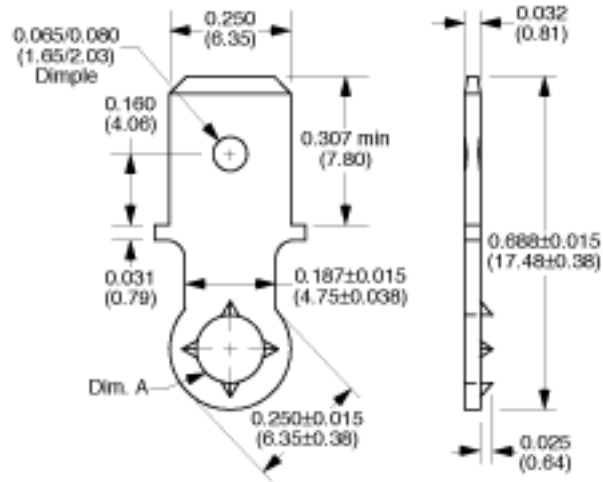
[Part Number 765](#)

Part Number 763



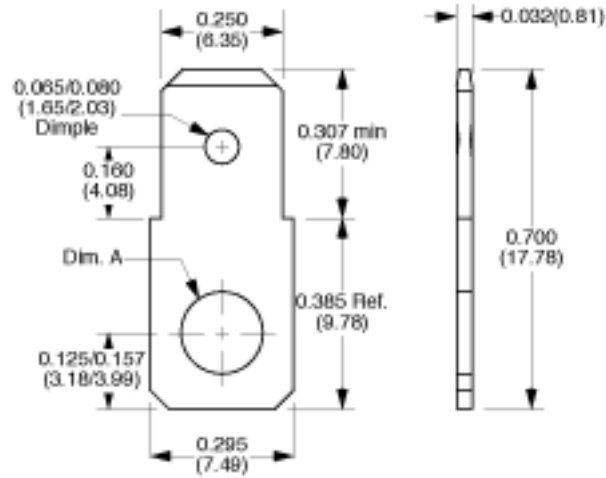
Part Number	Material Type	Finish Code	Inventory Type
763	Steel	4	Stock

Part Numbers 721-xxx



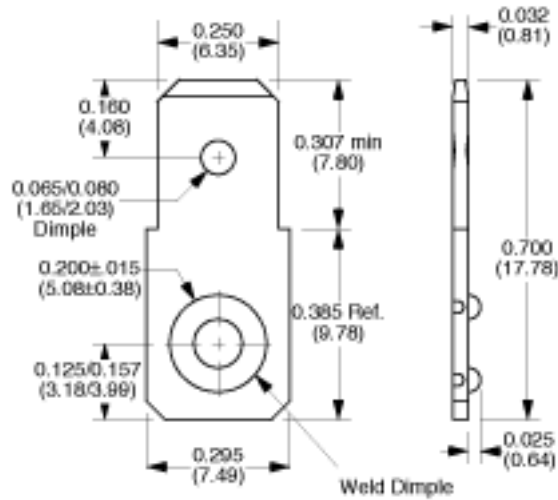
Part Number	Material Type	Finish Code	Inventory Type	Dim. "A"
721-140	C26000 Brass	8	Special	0.140" (3.56mm)
721-156	C26000 Brass	8	Stock	0.156" (3.96mm)
721-169	C26000 Brass	8	Stock	0.169" (4.29mm)

Part Numbers 920-xxx



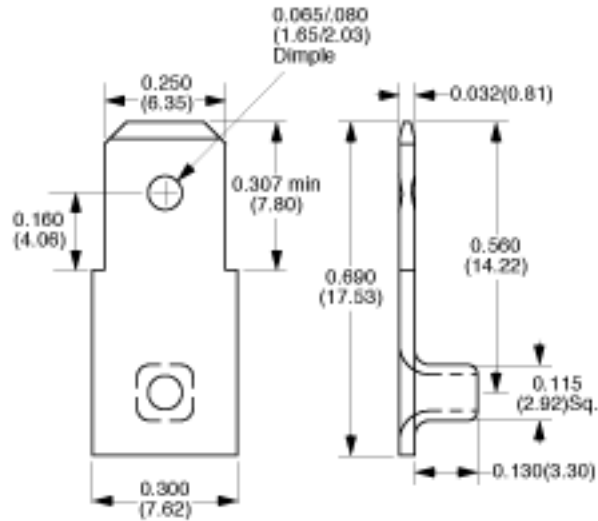
Part Number	Material Type	Finish Code	Inventory Type	Dim. "A"
920-144	C26000 Brass	8	Stock	0.140" (3.56mm)
920-169	C26000 Brass	8	Special	0.156" (3.96mm)

Part Number 878



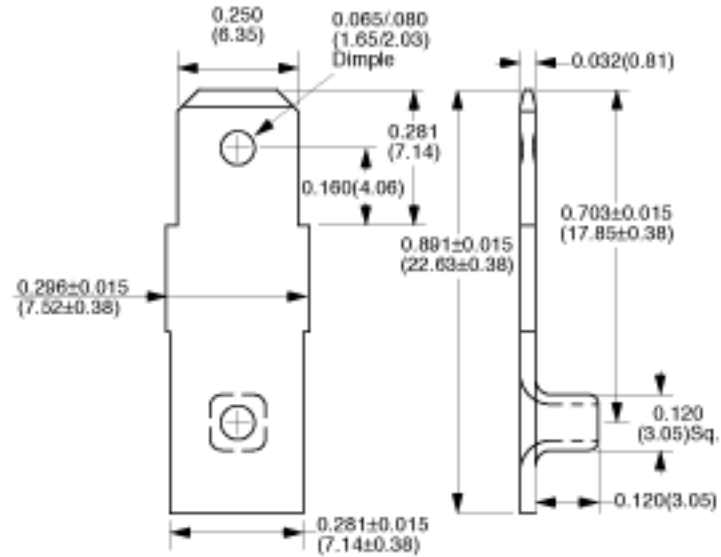
Part Number	Material Type	Finish Code	Inventory Type
878	Steel	4	Stock

Part Number 970



Part Number	Material Type	Finish Code	Inventory Type
970	C26000 Brass	0	Special

Part Number 765



Part Number	Material Type	Finish Code	Inventory Type
765	C26000 Brass	0	Stock

Angled



[Part Number 967](#)



[Part Numbers 898-200-xxx](#)



[Part Numbers 899-xxx](#)



[Part Number 900-140](#)



[Part Numbers 887-156 / 888-156](#)



[Part Number 968](#)



[Part Number 897-140](#)



[Part Number 911-140](#)



[Part Numbers 581-xxx](#)



[Part Numbers 599-156-xxx](#)



[Part Number 885-096](#)



[Part Number 883-125](#)



[Part Number 969](#)



[Part Number 764](#)

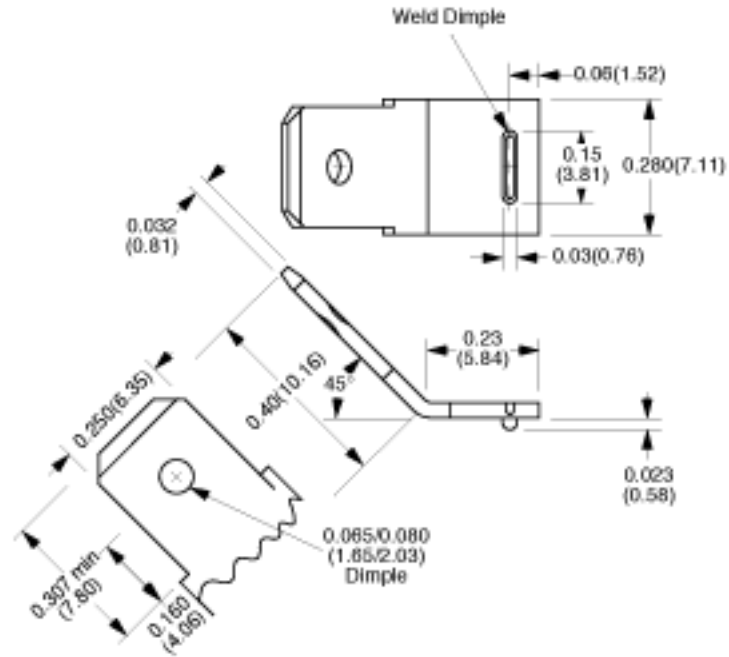


[Part Numbers 766 / 767](#)



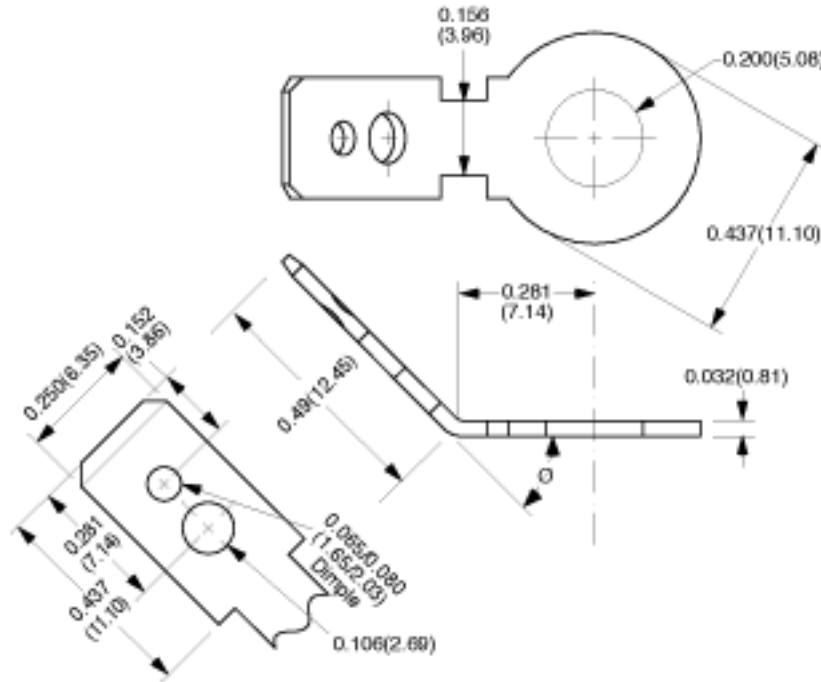
[Part Number 971-070](#)

Part Number 967



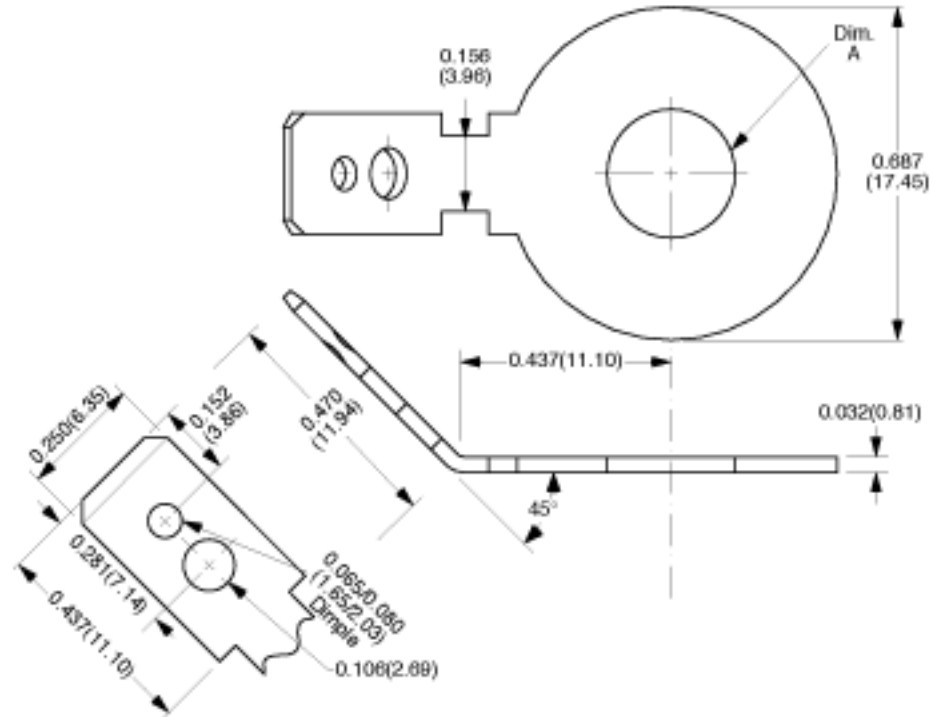
Part Number	Material Type	Finish Code	Inventory Type
967	Steel	4	Special

Part Numbers 898-200-xxx



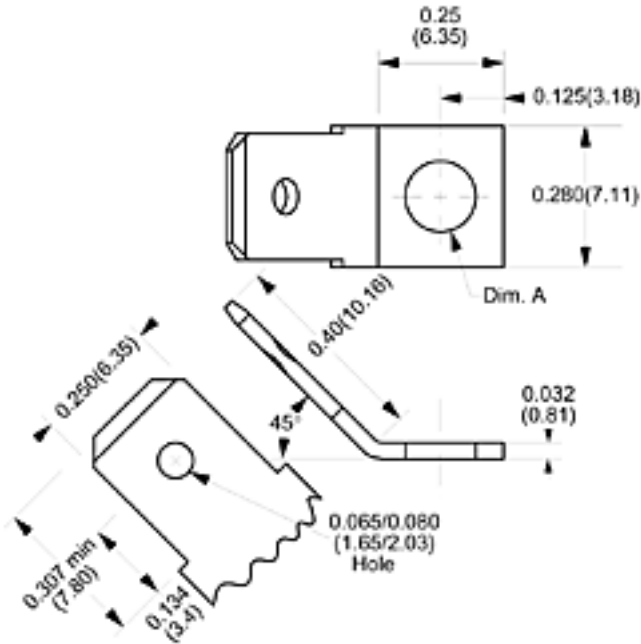
Part Number	Material Type	Finish Code	Inventory Type	Angle "0"
898-200	C26000 Brass	0	Stock	45°
898-200-MOD	C26000 Brass	0	Special	90°

Part Numbers 899-xxx



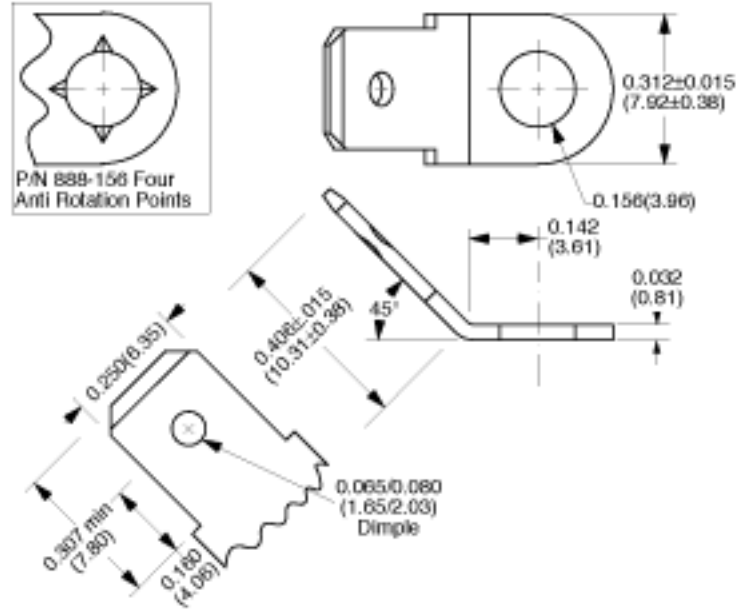
Part Number	Material Type	Finish Code	Inventory Type	Dim. "A"
899-265	C26000 Brass	0	Stock	0.265" (6.73mm)
899-406	C26000 Brass	0	Special	0.406" (10.31mm)

Part Number 900-140



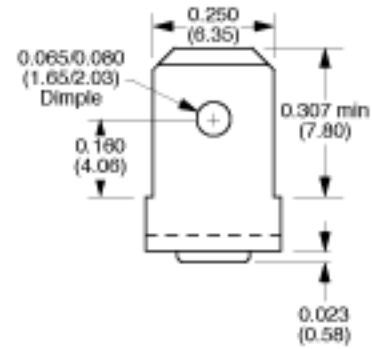
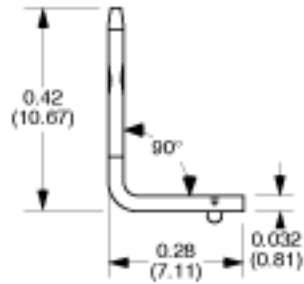
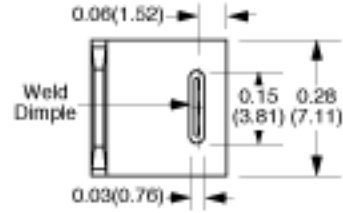
Part Number	Material Type	Finish Code	Inventory Type	Dim. "A"
900-140	C26000 Brass	8	Stock	0.140" (3.56mm)

Part Numbers 887-156 / 888-156



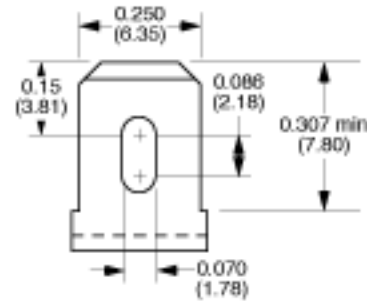
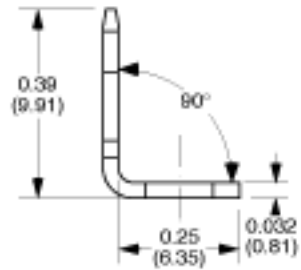
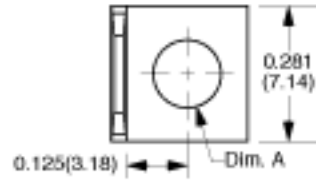
Part Number	Material Type	Finish Code	Inventory Type
887-156	C26000 Brass	8	Stock
888-156	C26000 Brass	8	Special

Part Number 968



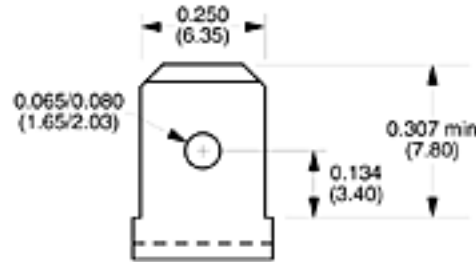
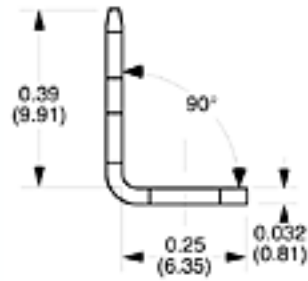
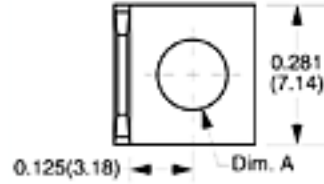
Part Number	Material Type	Finish Code	Inventory Type
968	Steel	4	Stock

Part Number 897-140



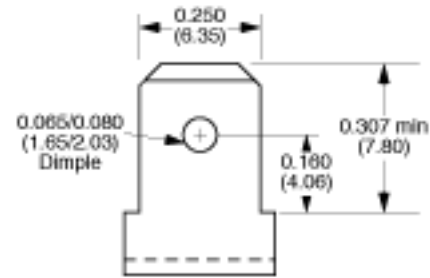
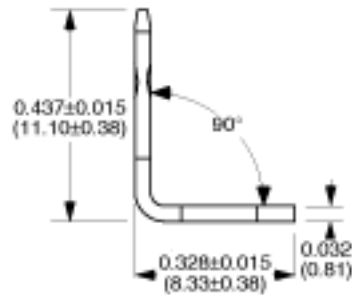
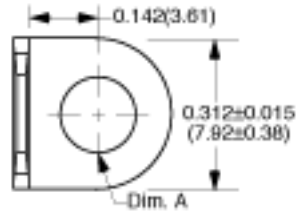
Part Number	Material Type	Finish Code	Inventory Type	Dim. "A"
897-140	C26000 Brass	0	Stock	0.140" (3.56mm)

Part Number 911-140



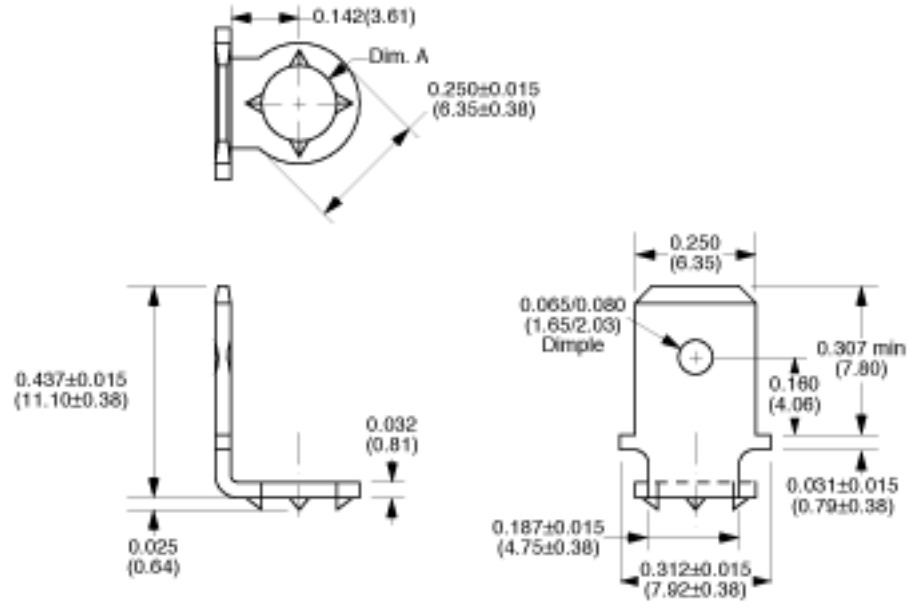
Part Number	Material Type	Finish Code	Inventory Type	Dim. "A"
911-140	C26000 Brass	8	Stock	0.140" (3.56mm)

Part Numbers 581-xxx



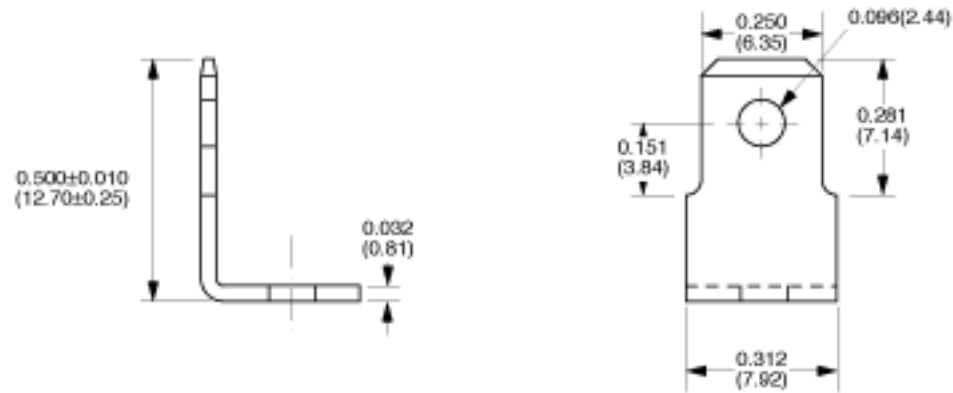
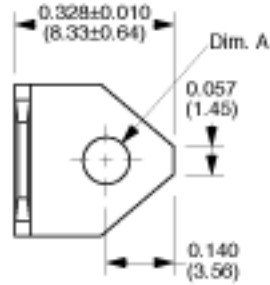
Part Number	Material Type	Finish Code	Inventory Type	Dim. "A"
581-156	C26000 Brass	8	Stock	0.156" (3.96mm)
581-194	C26000 Brass	8	Special	0.194" (4.93mm)

Part Numbers 599-156-xxx



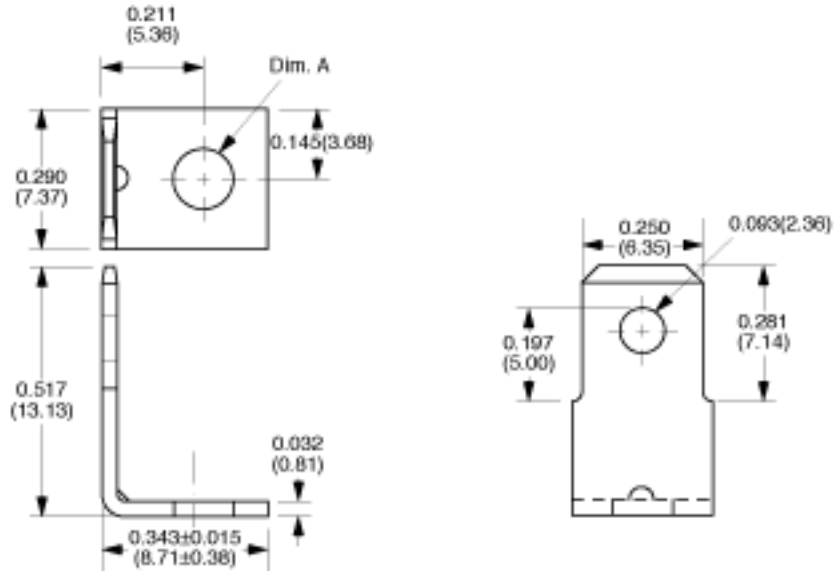
Part Number	Material Type	Finish Code	Inventory Type	Dim. "A"
599-156	C26000 Brass	8	Stock	0.156" (3.96mm)
599-156-STEEL-4	Steel	4	Special	0.156" (3.96mm)

Part Number 885-096



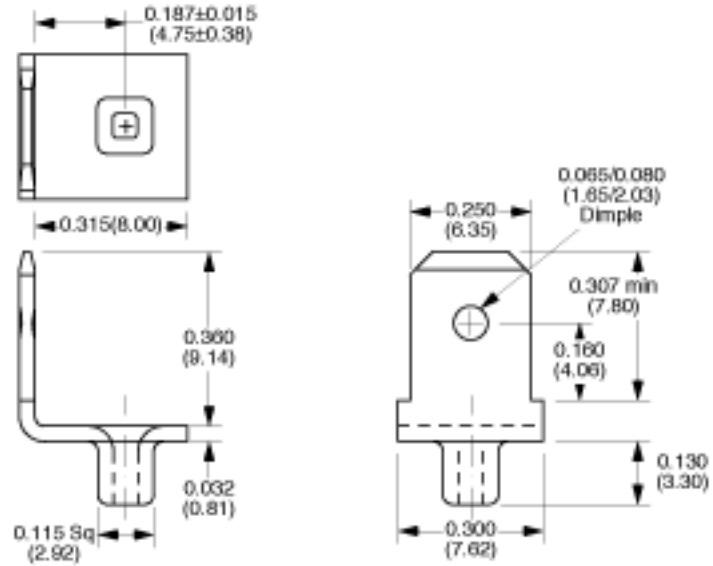
Part Number	Material Type	Finish Code	Inventory Type	Dim. "A"
885-096	Steel	8	Stock	0.096" (2.44mm)

Part Number 883-125



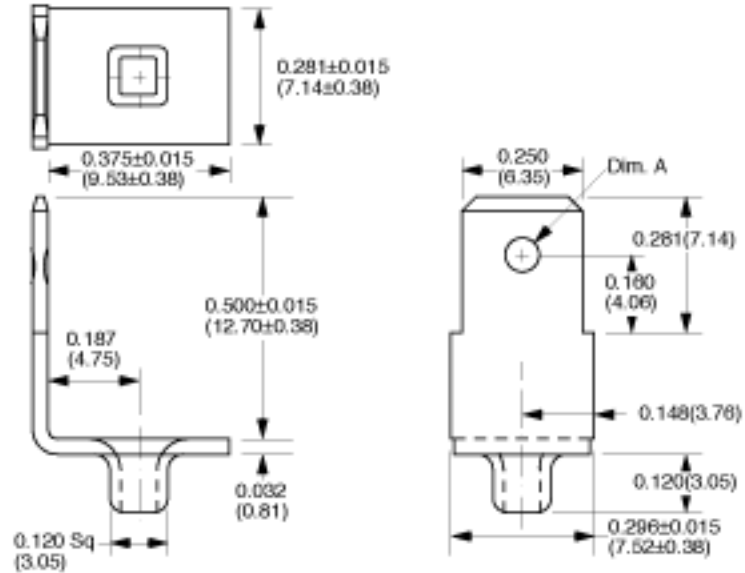
Part Number	Material Type	Finish Code	Inventory Type	Dim. "A"
883-125	C26000 Brass	0	Stock	0.125" (3.18mm)

Part Number 969



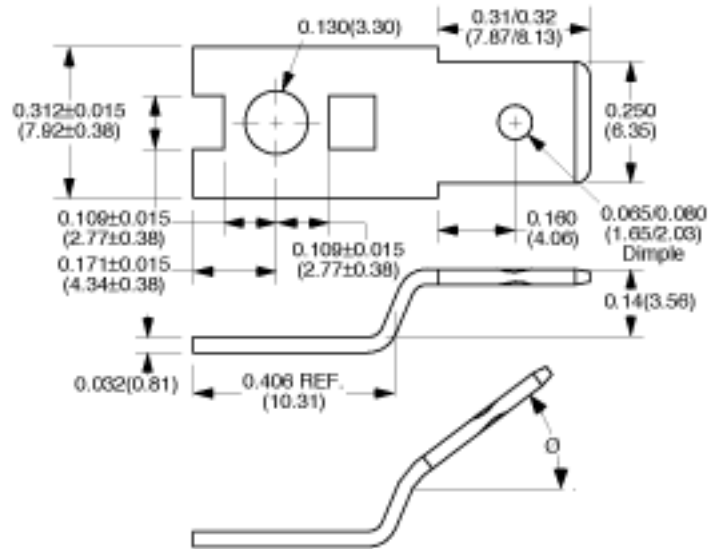
Part Number	Material Type	Finish Code	Inventory Type
969	C26000 Brass	0	Stock

Part Number 764



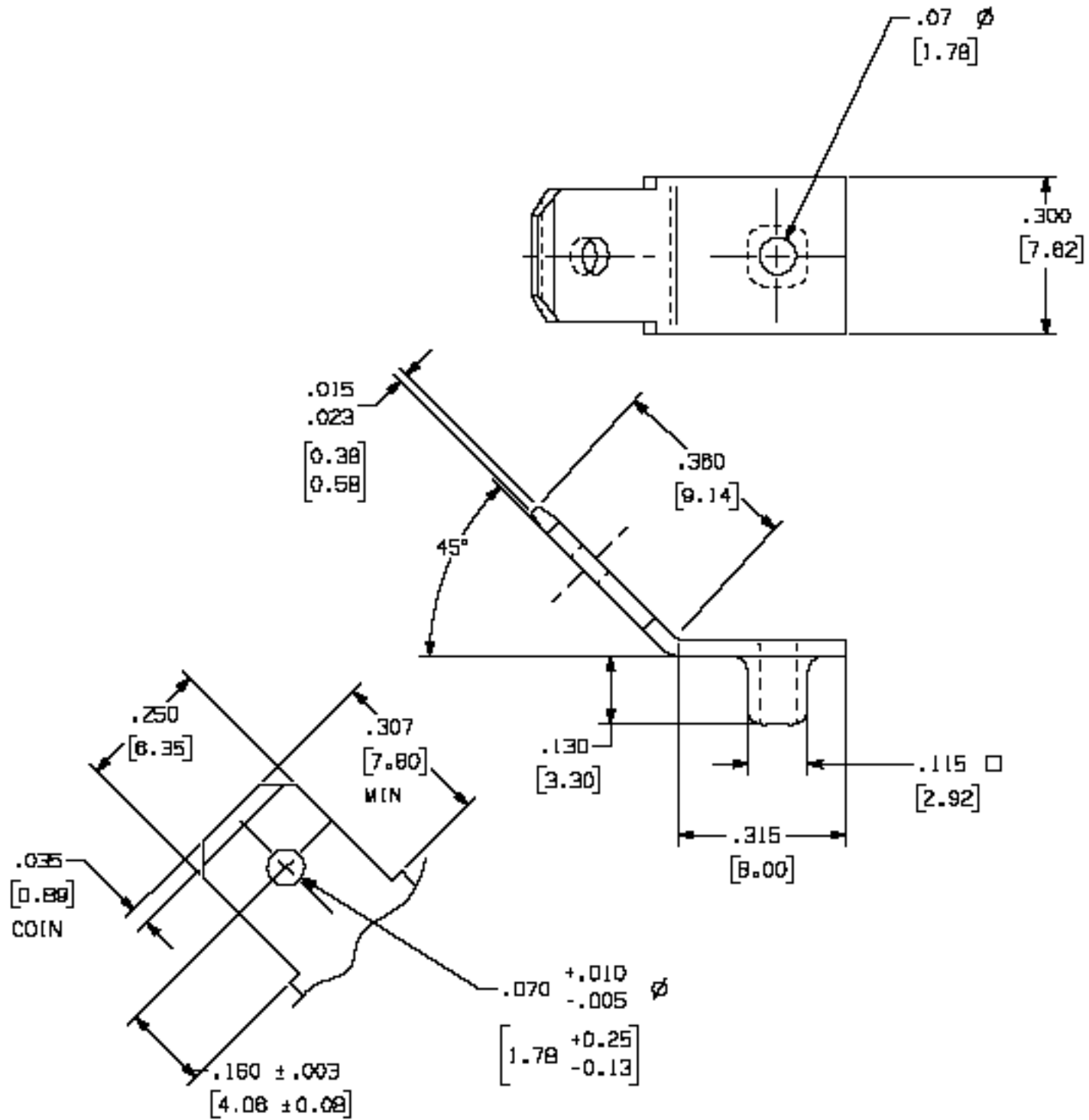
Part Number	Material Type	Finish Code	Inventory Type	Dim. 'A'
764	C26000 Brass	0	Stock	0.065/0.080" (2.03mm) Dimple

Part Numbers 766 / 767



Part Number	Material Type	Finish Code	Inventory Type	Angle '0'
766	C26000 Brass	8	Stock	37°
767	C26000 Brass	8	Stock	0°

Part Number 971-070



Part Number	Material Type	Finish Code	Inventory Type
971-070	C26000 Brass	0	Stock

Ring Terminal Combo

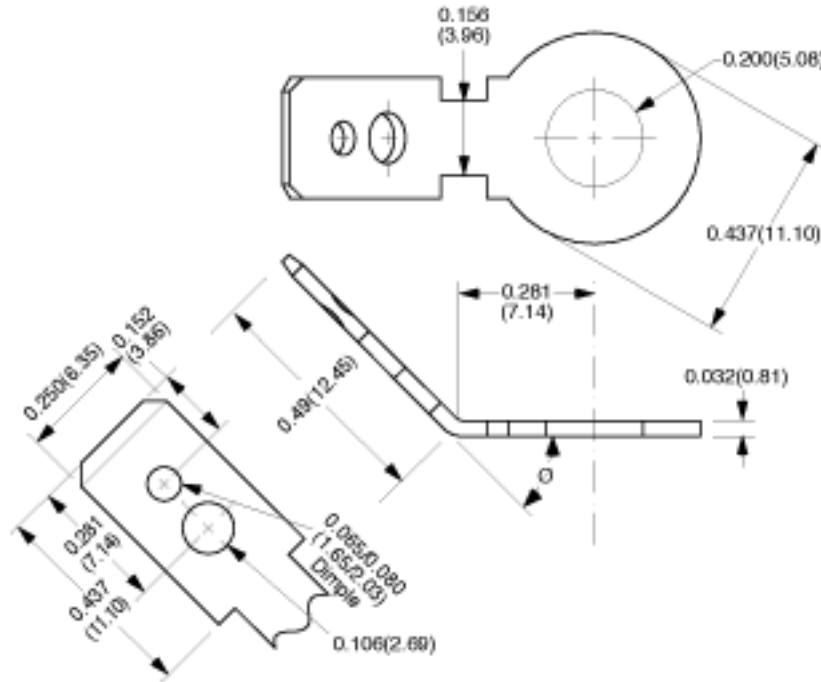


[Part Numbers 898-200-xxx](#)



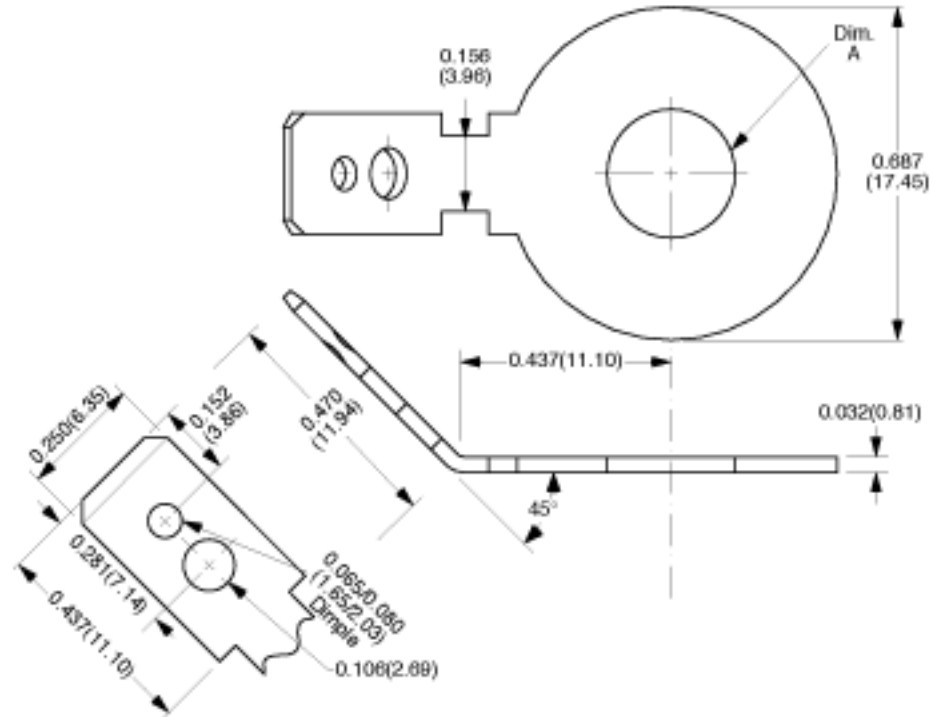
[Part Numbers 899-xxx](#)

Part Numbers 898-200-xxx



Part Number	Material Type	Finish Code	Inventory Type	Angle "0"
898-200	C26000 Brass	0	Stock	45°
898-200-MOD	C26000 Brass	0	Special	90°

Part Numbers 899-xxx



Part Number	Material Type	Finish Code	Inventory Type	Dim. "A"
899-265	C26000 Brass	0	Stock	0.265" (6.73mm)
899-406	C26000 Brass	0	Special	0.406" (10.31mm)

Multi-Tab



[Part Numbers 853-xxx](#)



[Part Number 918-196](#)



[Part Number 580-144](#)

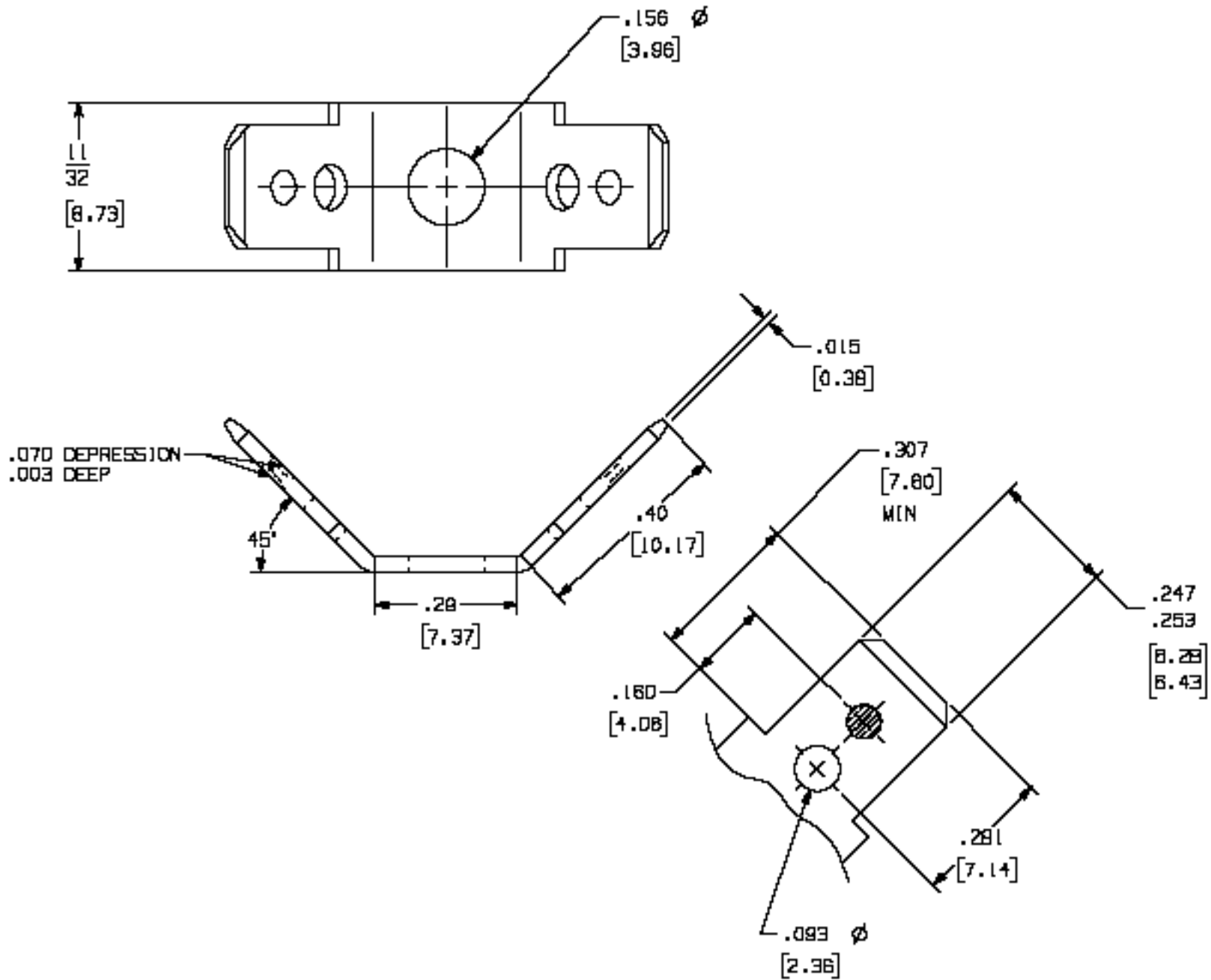


[Part Number 991](#)



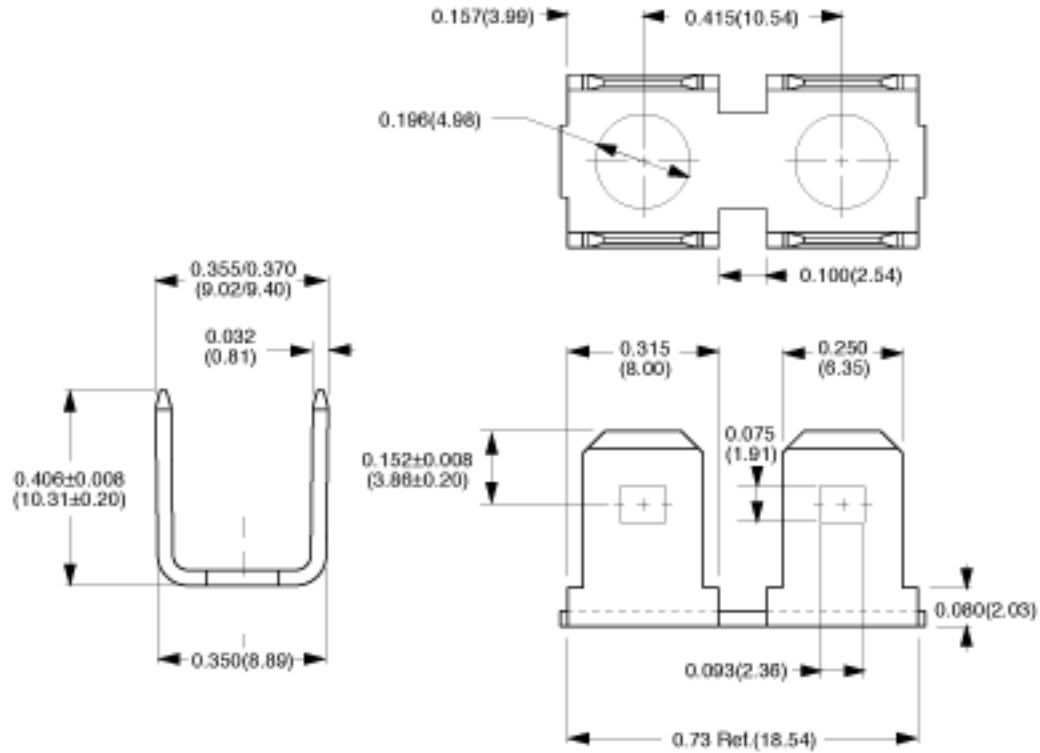
[Part Numbers 929-130-xxx](#)

Part Numbers 853-xxx



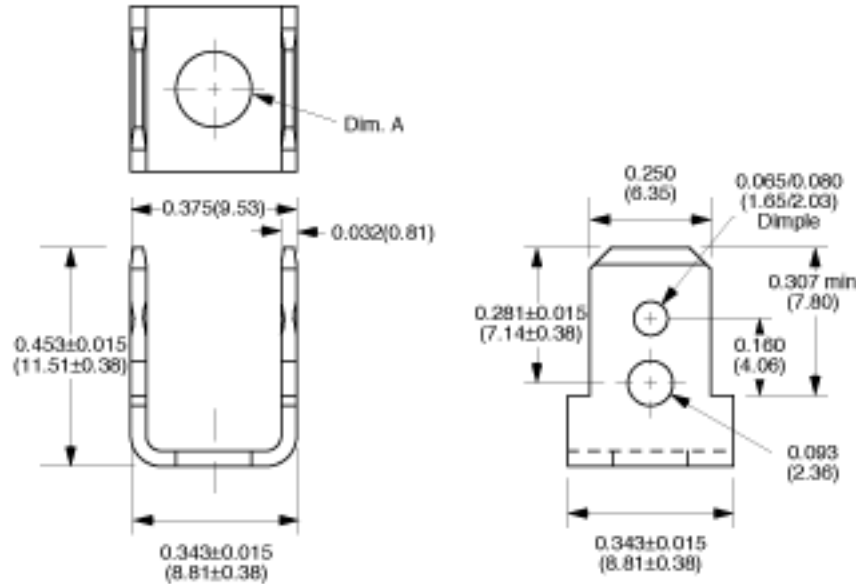
Part Number	Material Type	Finish Code	Inventory Type	Dim. "A"
853-144	C26000 Brass	0	Stock	0.144" (3.66mm)
853-156	C26000 Brass	0	Stock	0.156" (3.96mm)
853-169	C26000 Brass	0	Stock	0.169" (4.29mm)

Part Number 918-196



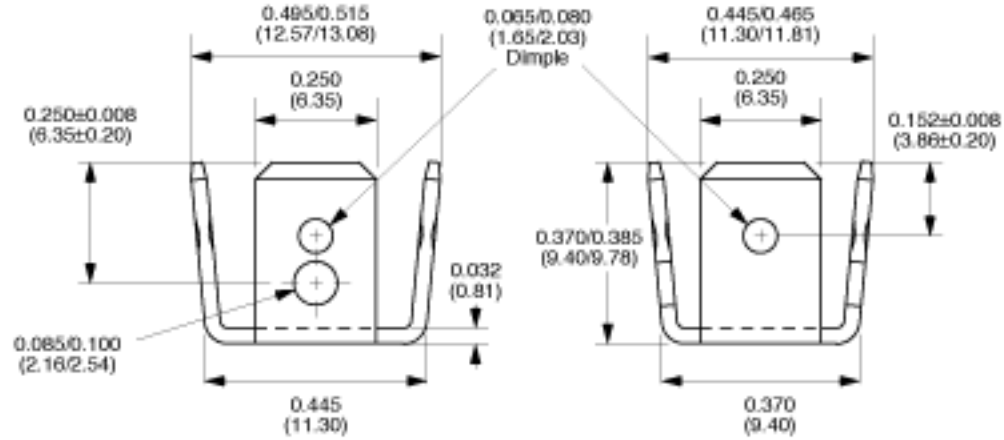
Part Number	Material Type	Finish Code	Inventory Type
918-196	C26000 Brass	5	Stock

Part Number 580-144



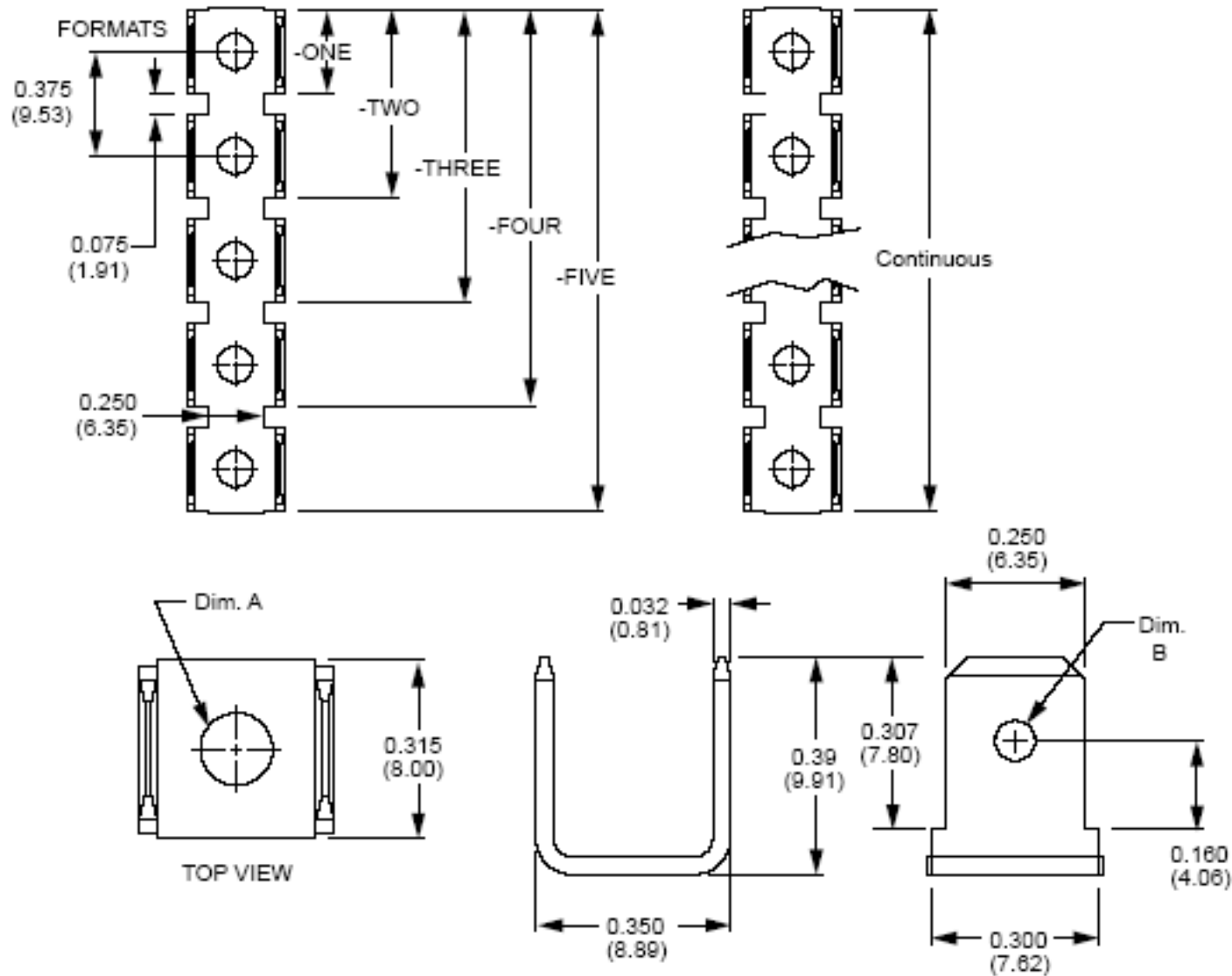
Part Number	Material Type	Finish Code	Inventory Type	Dim. "A"
580-144	C26000 Brass	0	Stock	0.144" (3.66mm)

Part Number 991



Part Number	Material Type	Finish Code	Inventory Type
991	Steel	8	Stock

Part Numbers 929-130-xxx



Part Number	Part Format*	Material Type	Finish Code	Inventory Type	Base Hole	Tab Dimple
929-130	-xxx	C26000 Brass	8	Stock	0.130" (3.30mm)	0.065"/0.080" (1.65mm/2.03mm) Dimple

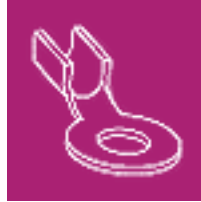
*Select Loose Piece Format: ONE, TWO, THREE (Special), FOUR (Special), FIVE (Special), SIX (Special), or SEVEN (Special).

*Select Continuous Format: Consult Factory for Multiple Sticks or Continuous Reels.

Crimp Terminals



[Part Number 875](#)



[Part Numbers 1-xxx](#)



[Part Numbers 905-xxx / 914-xxx](#)



[Part Numbers 913-xxx / 915-xxx /
5037-xxx](#)



OBSOLETE
[Part Numbers 5038-
xxx](#)



[Part Numbers 93-250 / 208-250 / 628-250 /
629-250](#)



[Part Number 5012-196-11](#)



[Part Numbers 18-xxx](#)



[Part Numbers 28-xxx](#)



[Part Number 5045](#)



[Part Numbers 5015 /
5054](#)

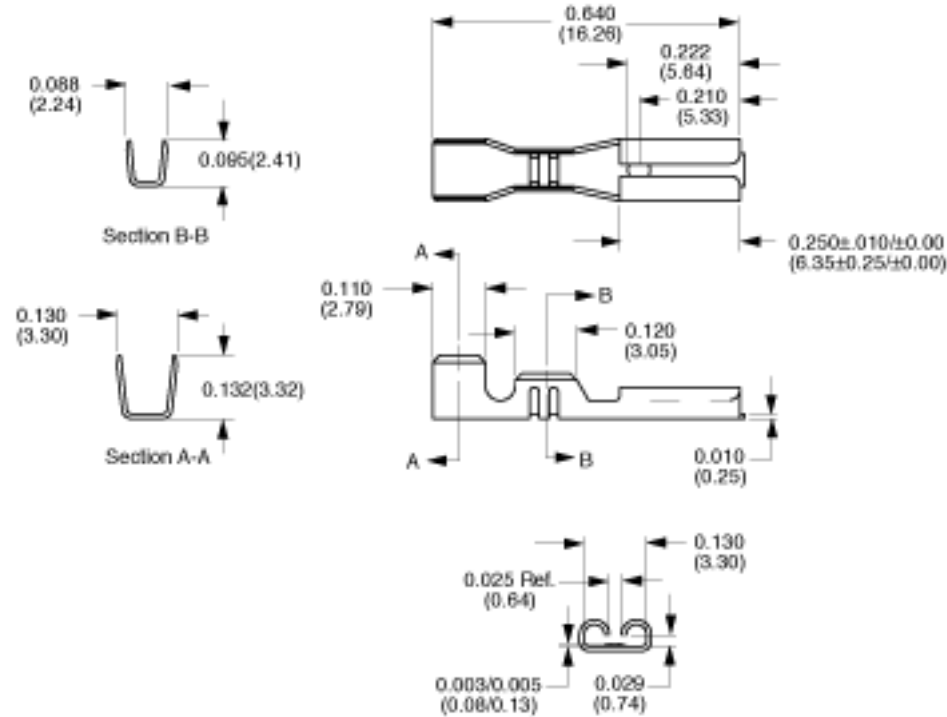


[Part Number 5000-130 SLOT-11](#)



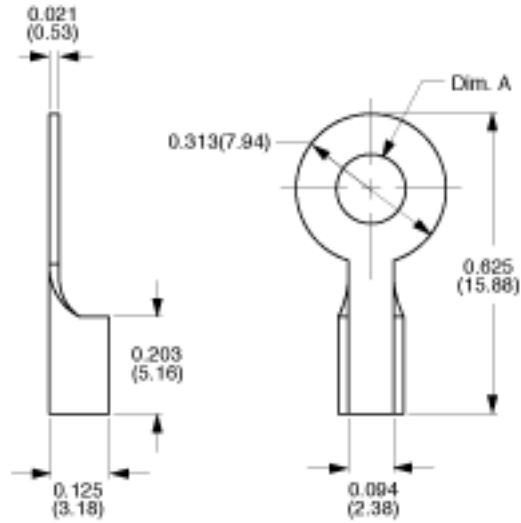
[Part Number 5017](#)

Part Number 875



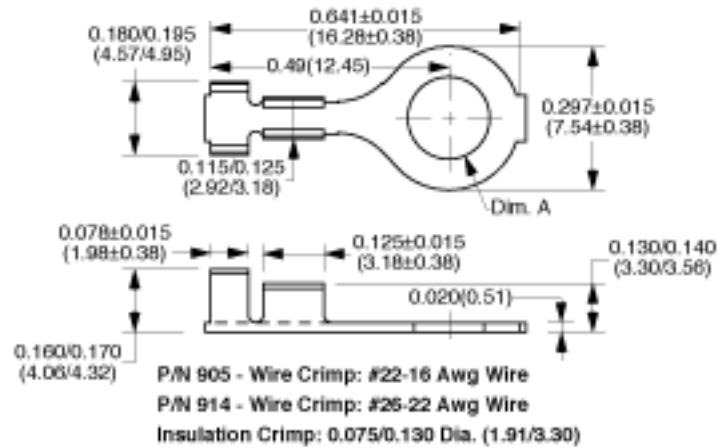
Part Number	Material Type	Finish Code	Inventory Type
875	C26000 Brass	11	Stock

Part Numbers 1-xxx



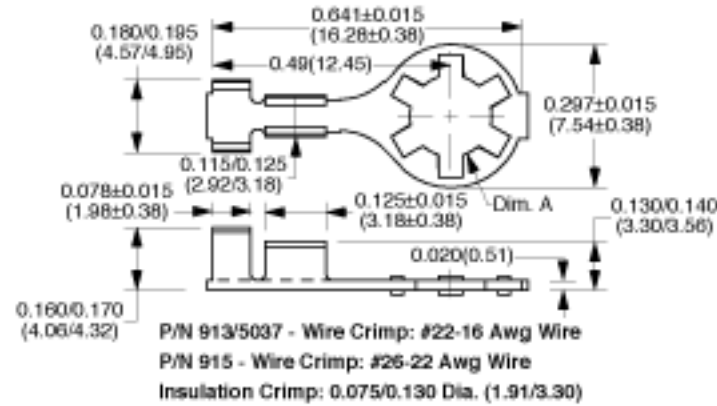
Part Number	Material Type	Finish Code	Inventory Type	Dim. 'A'
1-144	C26000 Brass	0	Special	.144" (3.66mm)
1-169	C26000 Brass	0	Special	.169" (4.29mm)

Part Numbers 905-xxx / 914-xxx



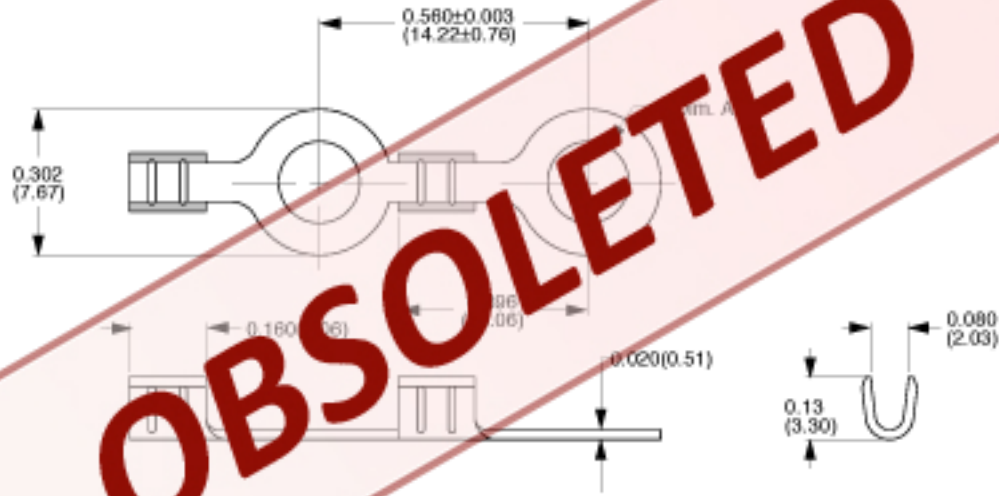
Part Number	Package Type	Material Type	Finish Code	Inventory Type	Dim. 'A'
905-120	Loose	C26000 Brass	11	Special	.120" (3.05mm)
905-144	Loose	C26000 Brass	11	Special	.144" (3.66mm)
905-169	Loose	C26000 Brass	11	Special	.169" (4.29mm)
914-120	Loose	C26000 Brass	11	Special	.120" (3.05mm)
914-120	Loose	C26000 Brass	14	Special	.120" (3.05mm)
914-169	Loose	C26000 Brass	11	Special	.169" (4.29mm)
914-196	Loose	C26000 Brass	11	Special	.196" (4.98mm)

Part Numbers 913-xxx / 915-xxx / 5037-xxx



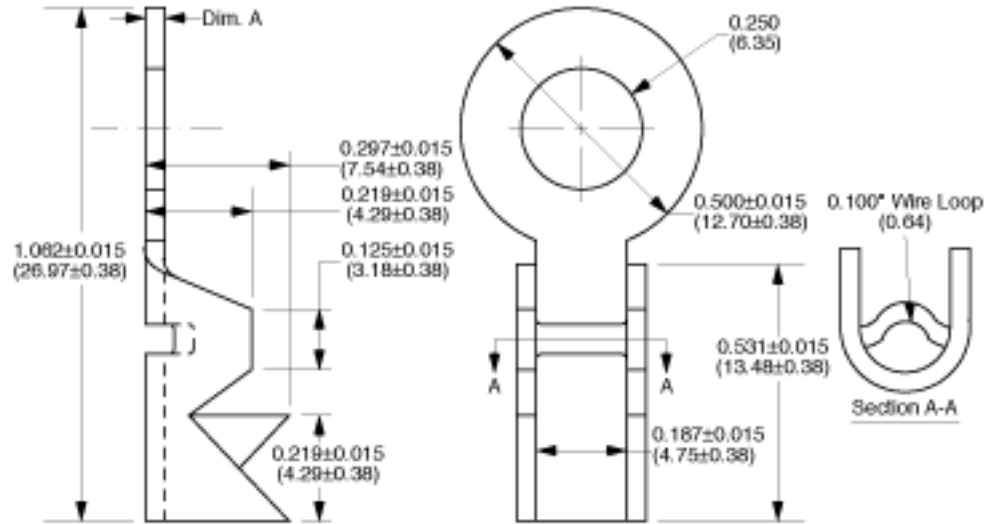
Part Number	Package Type	Material Type	Finish Code	Inventory Type	Dim. 'A'
913-144-11	Loose	C26000 Brass	11	Special	.144" (3.66mm)
913-169-11	Loose	C26000 Brass	11	Special	.169" (4.29mm)
915-144	Loose	C26000 Brass	11	Special	.144" (3.66mm)
915-169	Loose	C26000 Brass	11	Special	.169" (4.29mm)
5037-144	Reeled	Plain C26000 Brass	9	Special	.144" (3.66mm)
5037-144-11	Reeled	C26000 Brass	11	Special	.144" (3.66mm)
5037-169-11	Reeled	C26000 Brass	11	Special	.169" (4.29mm)

Part Numbers 5038-xxx



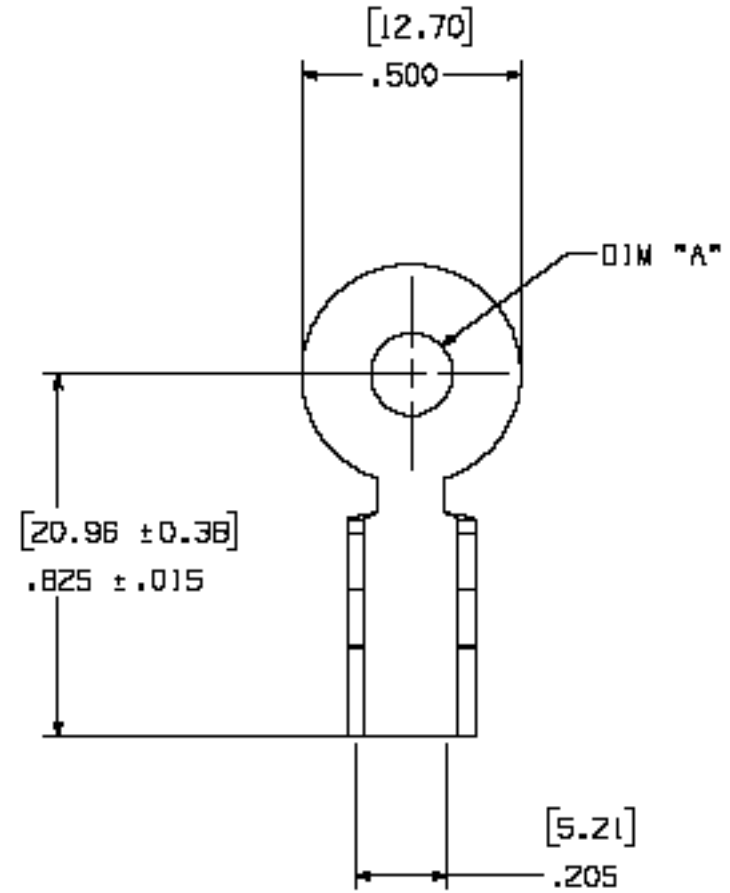
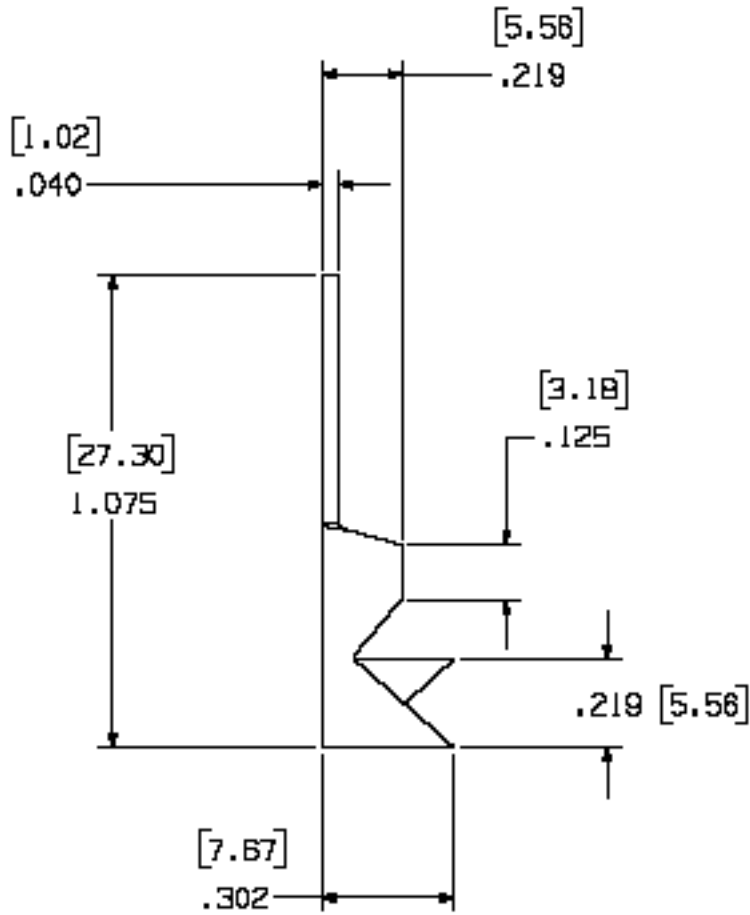
Part Number	Material Type	Finish Code	Inventory Type	Dim. 'A'
5038-094	C26000 Brass	9	Special	0.094" (2.39mm)
5038-169	C26000 Brass	9	Special	0.169" (4.29mm)
5038-169-11	C26000 Brass	11	Special	0.169" (4.29mm)

Part Numbers 93-250 / 208-250 / 628-250 / 629-250



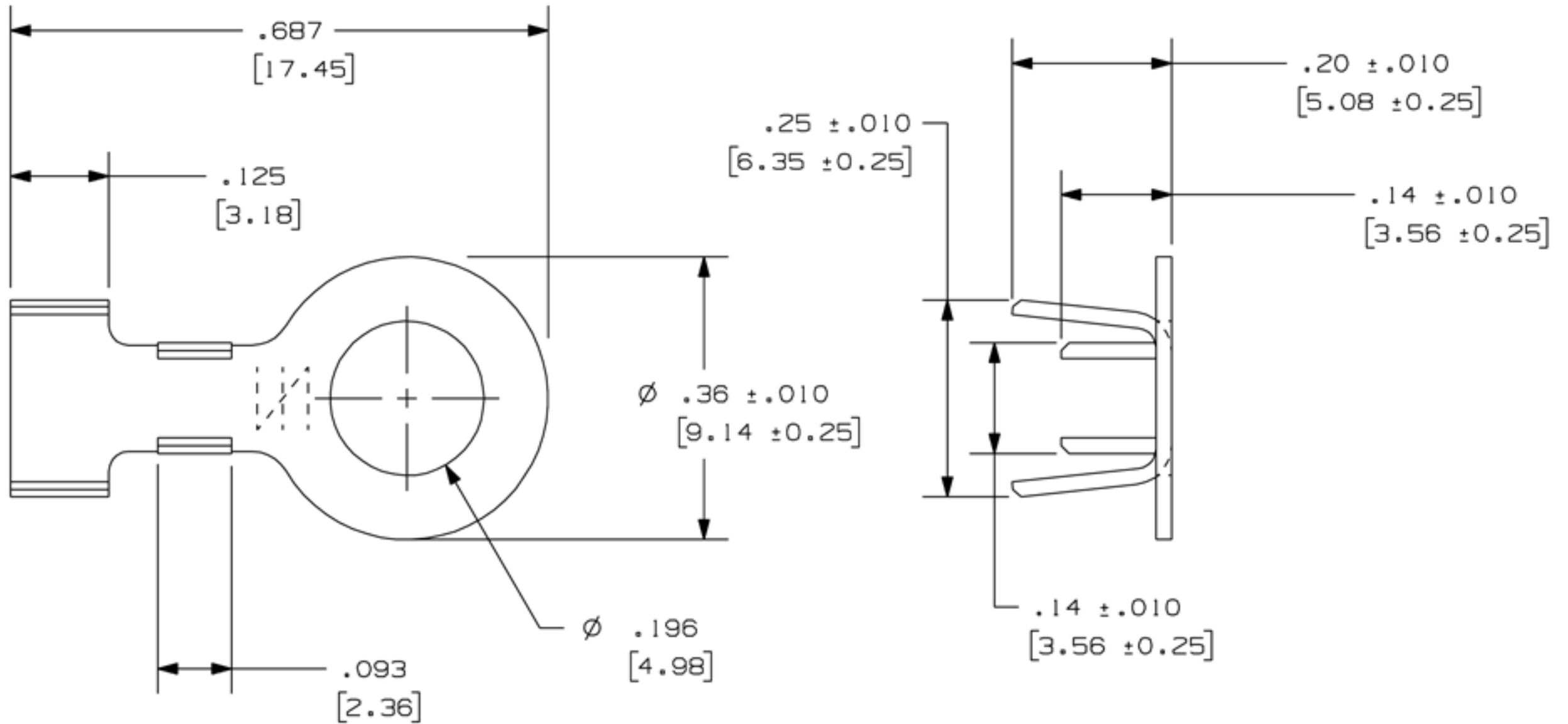
Part Number	Material Type	Finish Code	Inventory Type	Dim. 'A'	Terminal Style
93-250	C11000 Copper	0	Special	0.025" (0.64mm)	W/Wire Loop
208-250	C11000 Copper	0	Special	0.025" (0.64mm)	W/O Wire Loop
628-250	C11000 Copper	0	Special	0.040" (1.02mm)	W/Wire Loop
629-250	C11000 Copper	0	Special	0.040" (1.02mm)	W/O Wire Loop

Part Numbers 629-xxx



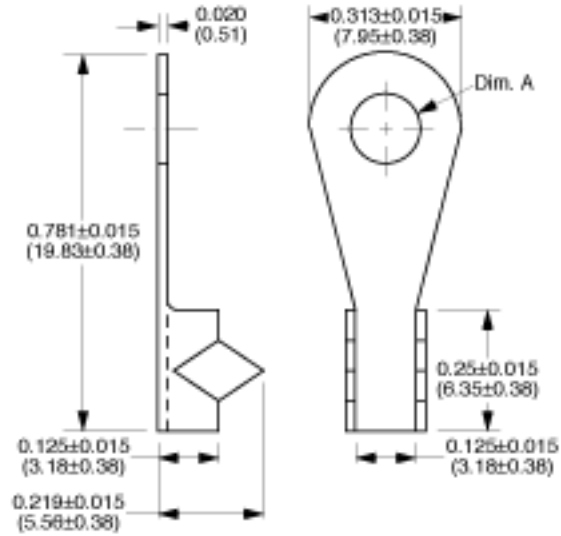
Part Number	Material Type	Finish Code	Inventory Type	Dim. 'A'	Terminal Style
629-187	C11000 Copper	0	Special	0.187" (4.74mm)	W/O Wire Loop
629-250	C11000 Copper	0	Special	0.250" (6.35mm)	W/O Wire Loop
629-281	C11000 Copper	0	Special	0.281" (7.14mm)	W/O Wire Loop

Part Number 5012-196-11



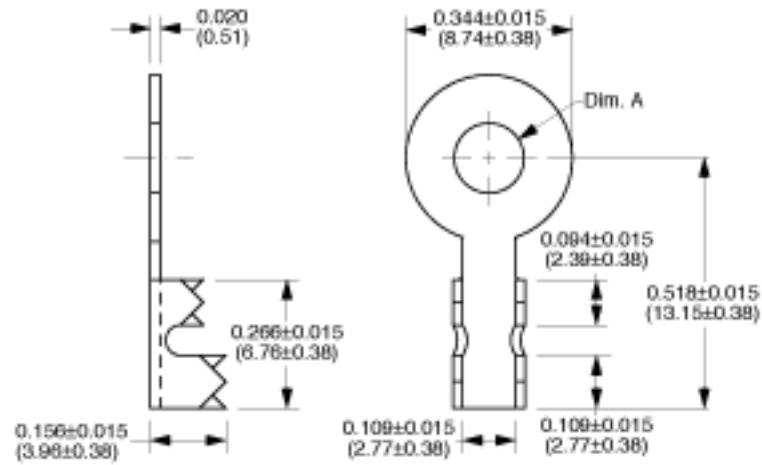
Part Number	Package Type	Material Type	Finish Code	Inventory Type	Dim. 'A'
5012-196-11	Reeled	C26000 Brass	11	Special	0.196" (4.98mm)

Part Numbers 18-xxx



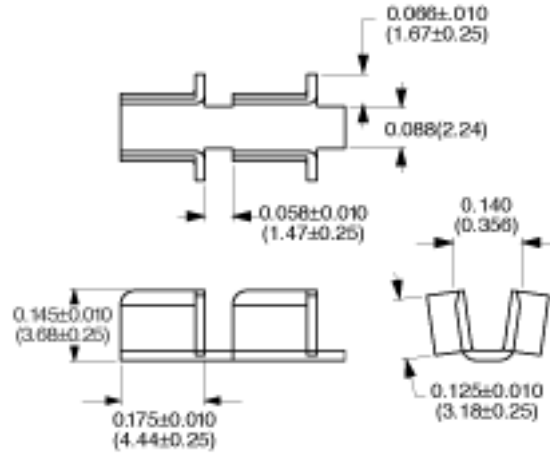
Part Number	Material Type	Finish Code	Inventory Type	Dim. 'A'
18-120-1	C26000 Brass	1	Special	0.120" (3.05mm)
18-130	C26000 Brass	0	Special	0.130" (3.30mm)
18-144	C26000 Brass	0	Special	0.144" (3.66mm)

Part Numbers 28-xxx



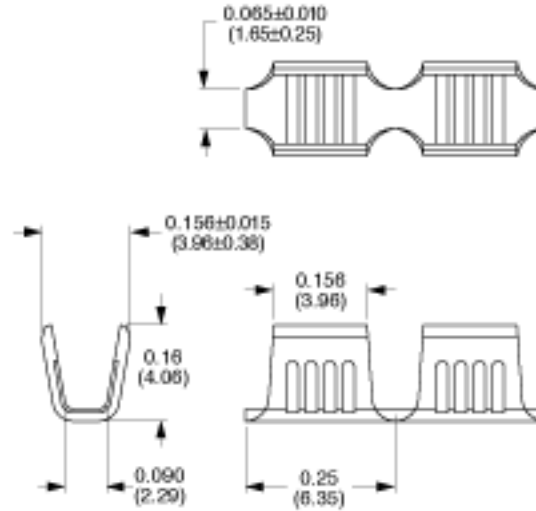
Part Number	Package Type	Material Type	Finish Code	Inventory Type	Dim. 'A'
28-144	Loose	C26000 Brass	0	Special	0.144" (3.66mm)
28-169	Loose	C26000 Brass	0	Special	0.169" (4.29mm)
28-196	Loose	C26000 Brass	0	Special	0.196" (4.98mm)

Part Number 5045



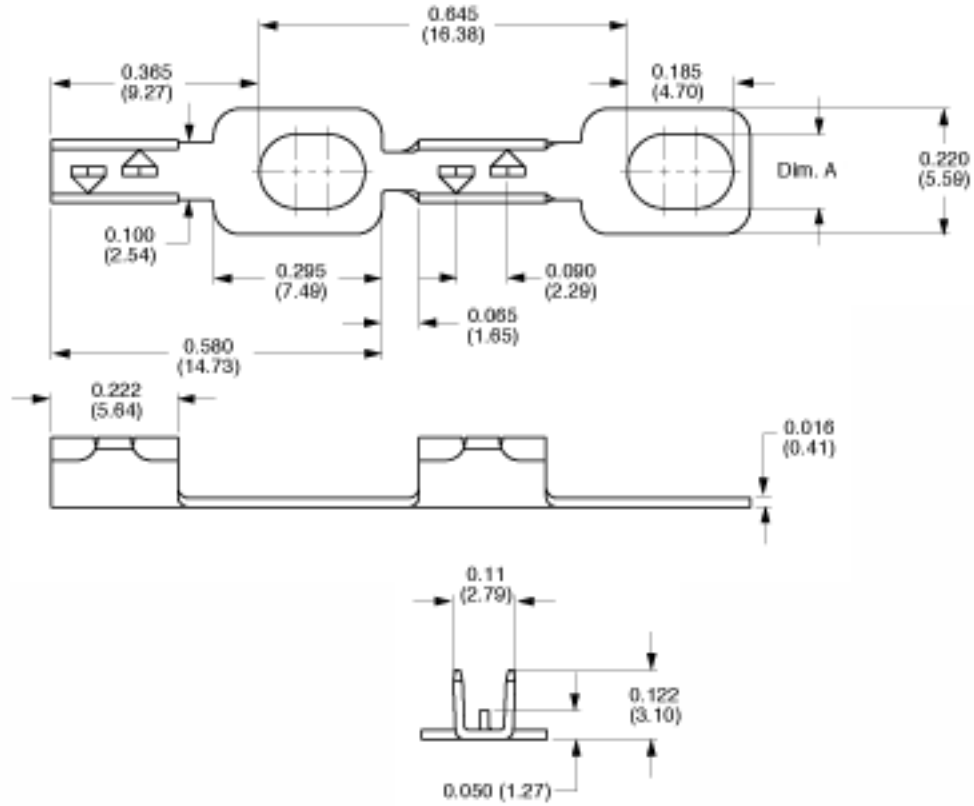
Part Number	Material Type	Finish Code	Inventory Type
5045	C26000 Brass	9	Special

Part Numbers 5015 / 5054



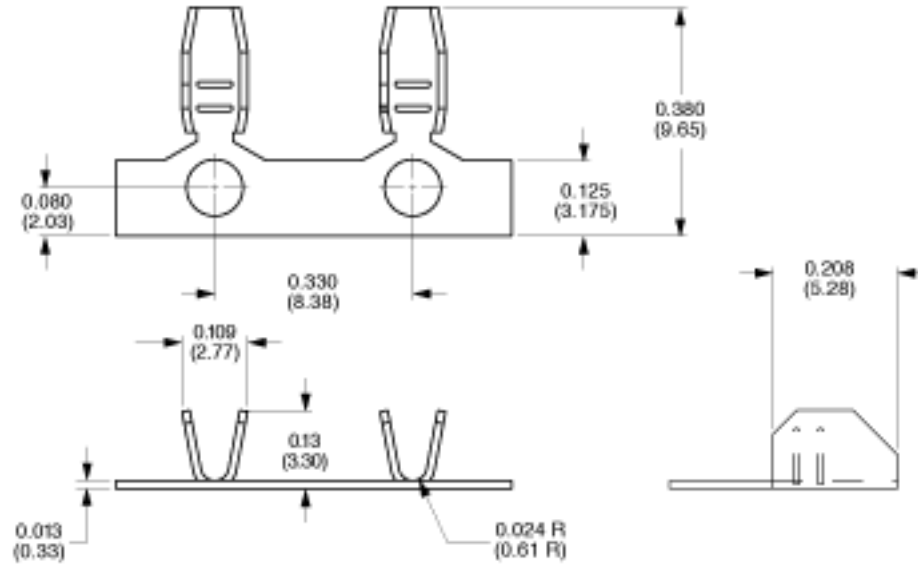
Part Number	Material Type	Finish Code	Inventory Type
5015	C26000 Brass	9	Special
5054	Steel	10	Special

Part Number 5000-130 SLOT-11



Part Number	Material Type	Finish Code	Inventory Type	Dim. 'A'
5000-130 SLOT-11	C26000 Brass	11	Special	0.130 Slot

Part Number 5017



Part Number	Material Type	Finish Code	Inventory Type
5017	C26000 Brass	9	Special

Eyelet Terminals



[Part Number 148](#)



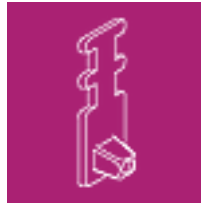
[Part Number 421](#)



[Part Number 941](#)



[Part Number 190](#)



[Part Number 975](#)



[Part Number 332](#)



[Part Number 271](#)



[Part Number 982](#)



[Part Number 988](#)



[Part Number 970](#)



[Part Number 765](#)



[Part Number 939](#)

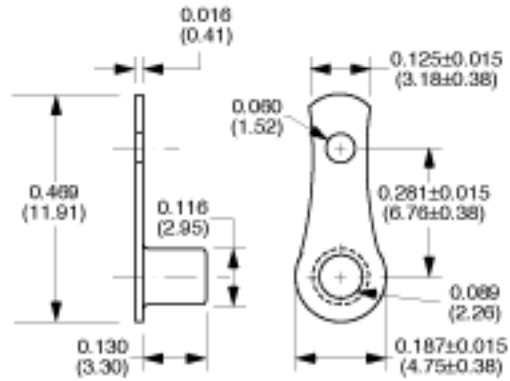


[Part Number 938](#)



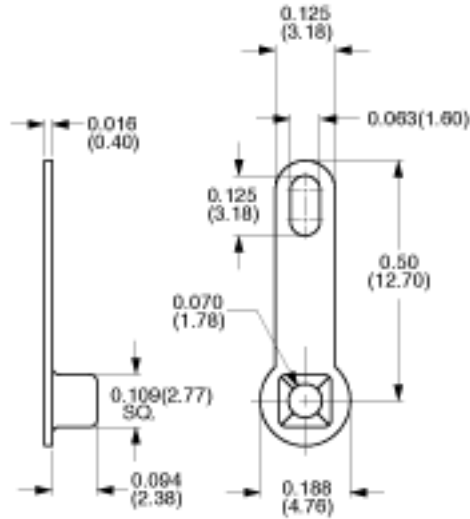
[Part Number 989](#)

Part Number 148



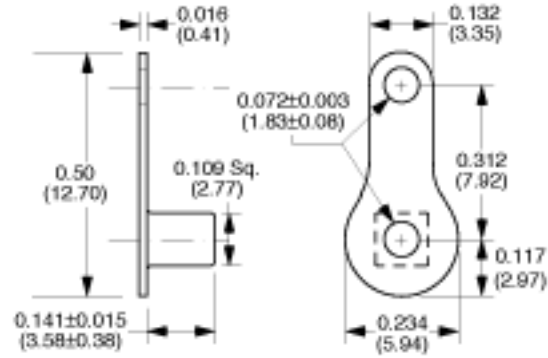
Part Number	Material Type	Finish Code	Inventory Type
148	C26000 Brass	0	Stock

Part Number 421



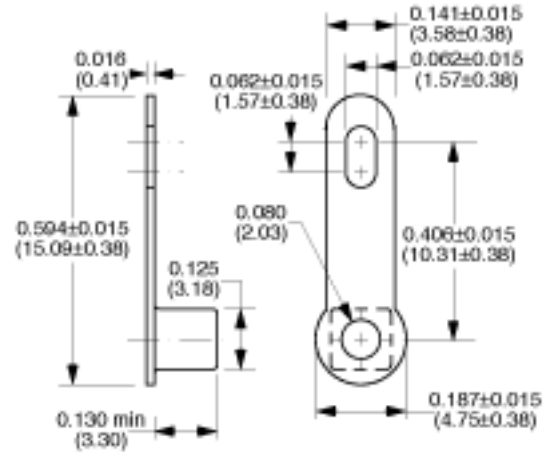
Part Number	Material Type	Finish Code	Inventory Type
421	C26000 Brass	0	Stock

Part Number 941



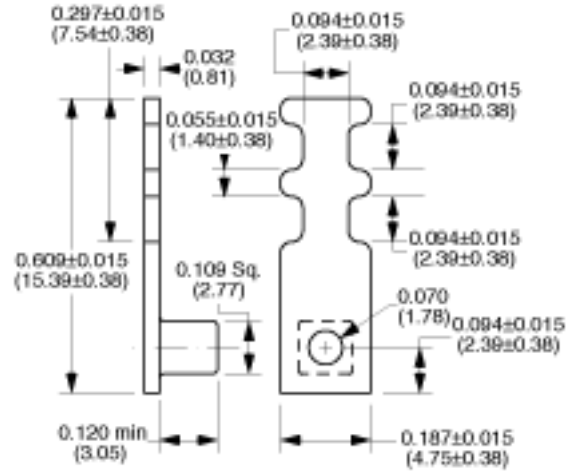
Part Number	Material Type	Finish Code	Inventory Type
941	C26000 Brass	0	Stock

Part Number 190



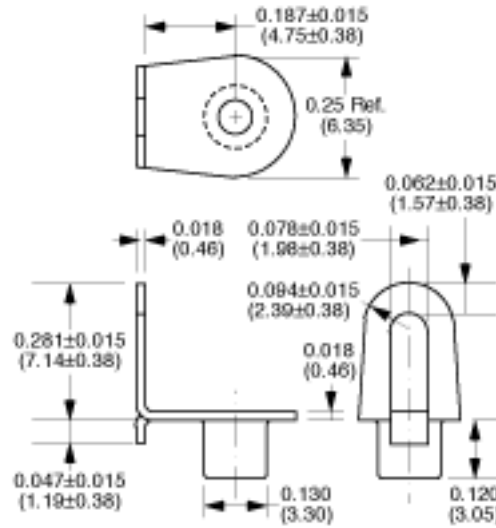
Part Number	Material Type	Finish Code	Inventory Type
190	C26000 Brass	0	Stock

Part Number 975



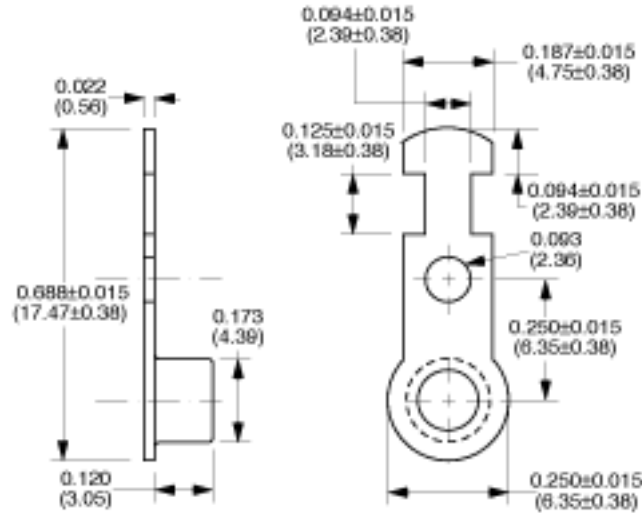
Part Number	Material Type	Finish Code	Inventory Type
975	C26000 Brass	0	Stock

Part Number 332



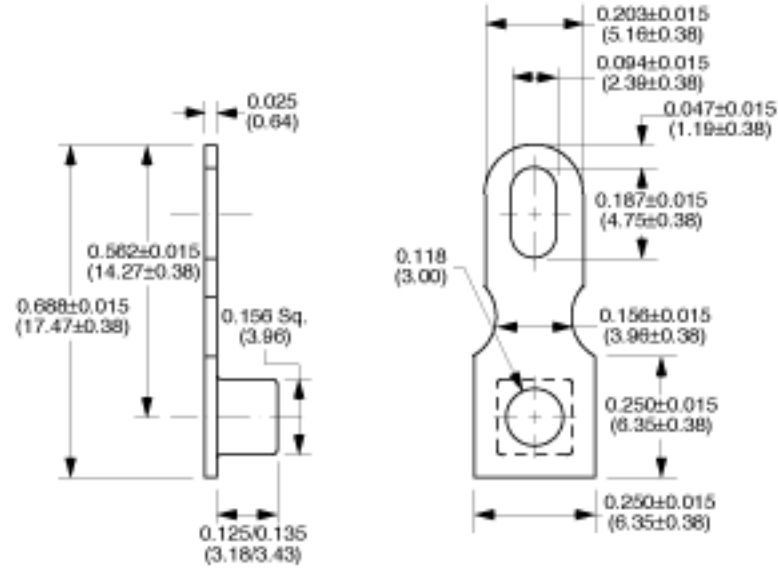
Part Number	Material Type	Finish Code	Inventory Type
332	C26000 Brass	0	Special

Part Number 271



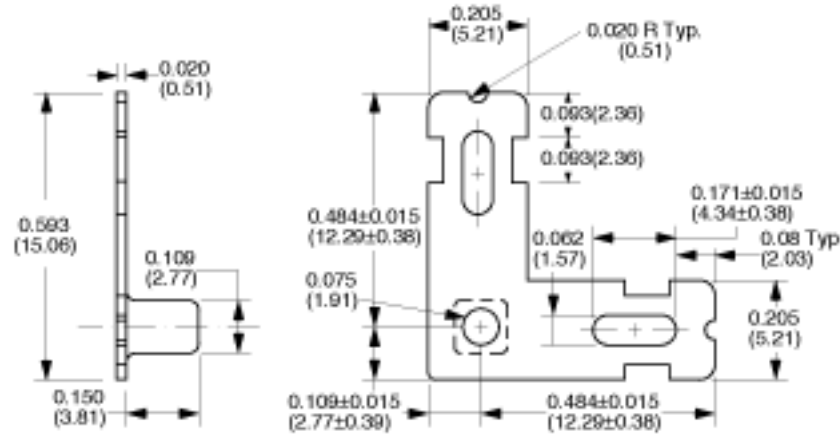
Part Number	Material Type	Finish Code	Inventory Type
271	C26000 Brass	0	Stock

Part Number 982



Part Number	Material Type	Finish Code	Inventory Type
982	C26000 Brass	0	Stock

Part Number 988



Part Number

Material Type

Finish Code

Inventory Type

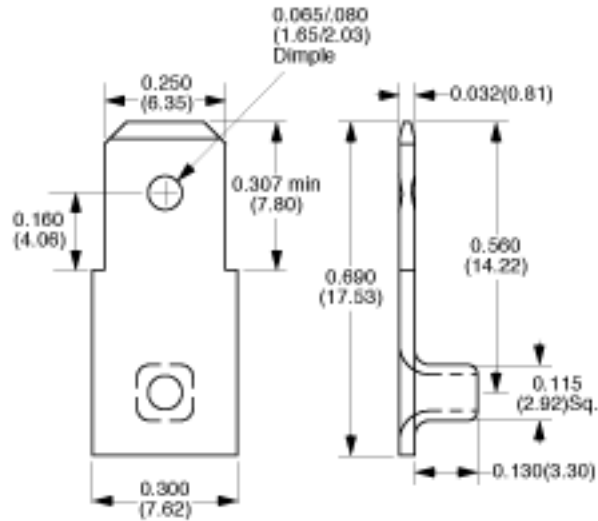
988

C26000 Brass

0

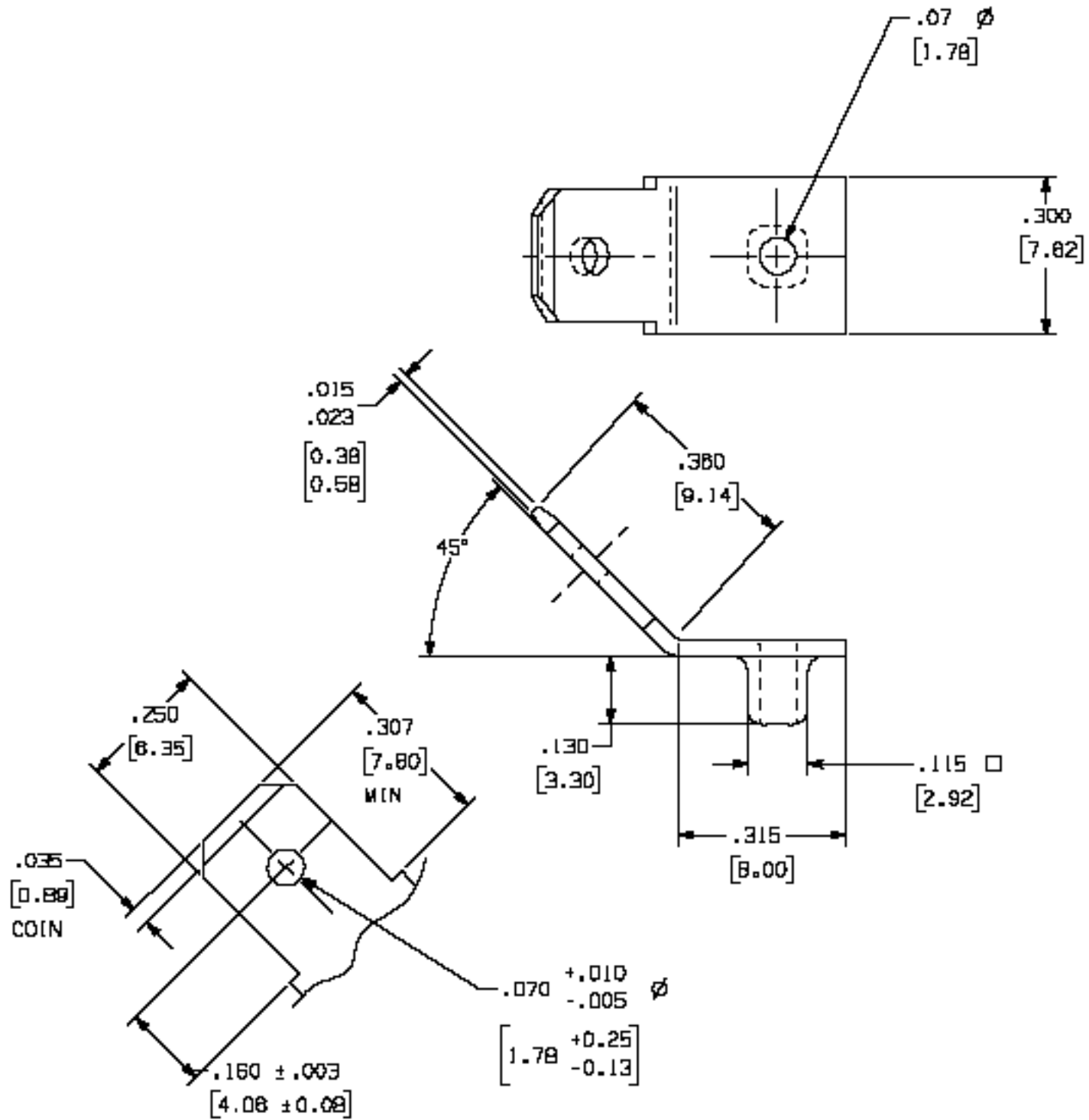
Special

Part Number 970



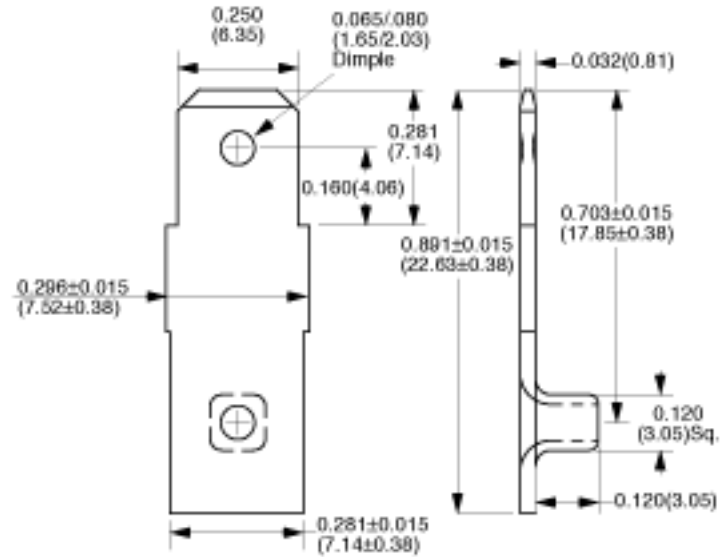
Part Number	Material Type	Finish Code	Inventory Type
970	C26000 Brass	0	Special

Part Number 971-070



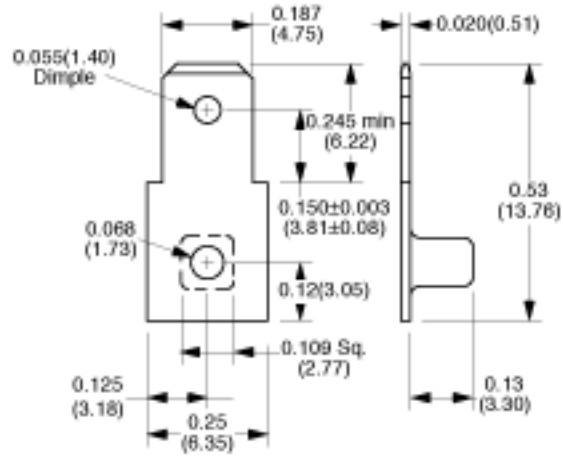
Part Number	Material Type	Finish Code	Inventory Type
971-070	C26000 Brass	0	Special

Part Number 765



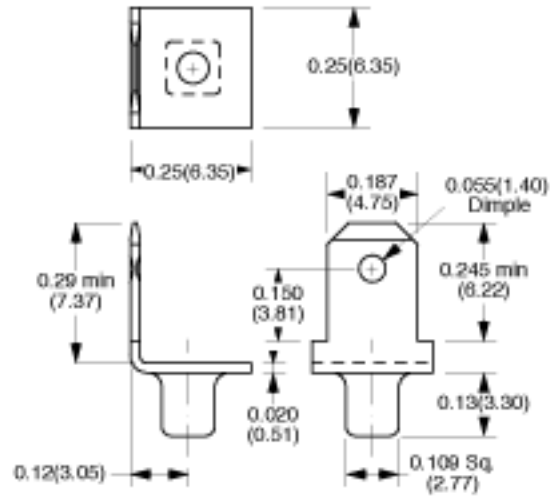
Part Number	Material Type	Finish Code	Inventory Type
765	C26000 Brass	0	Stock

Part Number 939



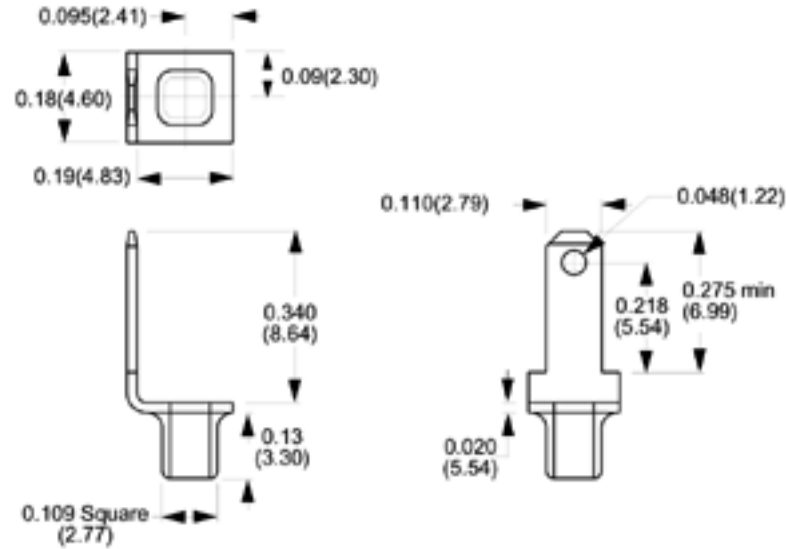
Part Number	Material Type	Finish Code	Inventory Type
939	C26000 Brass	0	Stock

Part Number 938



Part Number	Material Type	Finish Code	Inventory Type
938	C26000 Brass	0	Stock

Part Number 989



Part Number	Material Type	Finish Code	Inventory Type
989	C26000 Brass	0	Stock

Receptacles



[.110" \(2.79mm\)](#)



[.187" \(4.75mm\)](#)



[.250" \(6.35mm\)](#)



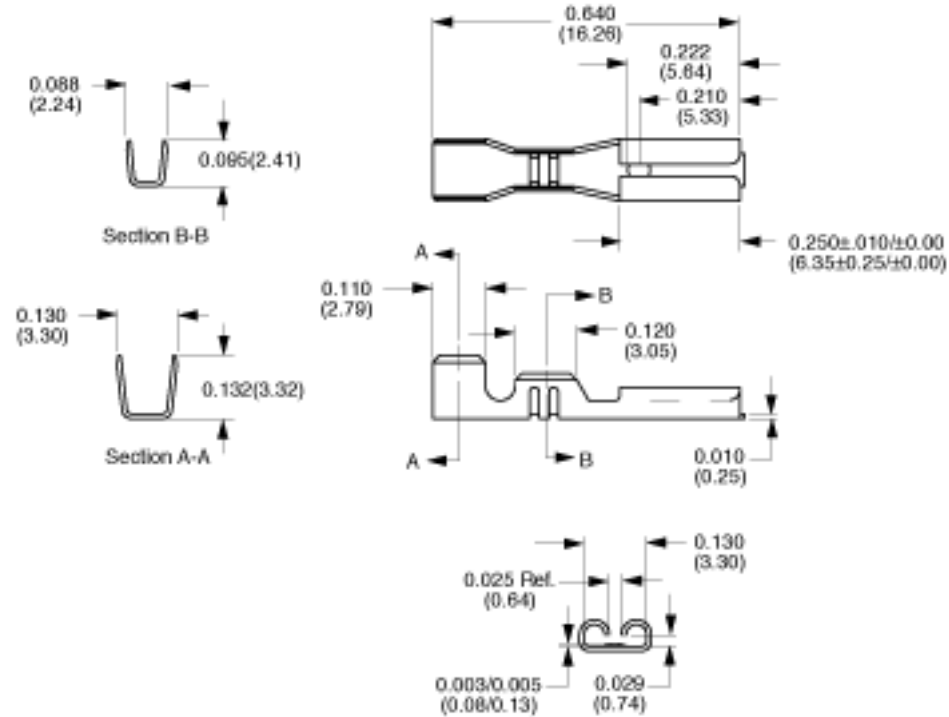
[0.250" \(6.35mm\) Combo](#)

0.110" (2.79mm)



[Part Number 875](#)

Part Number 875



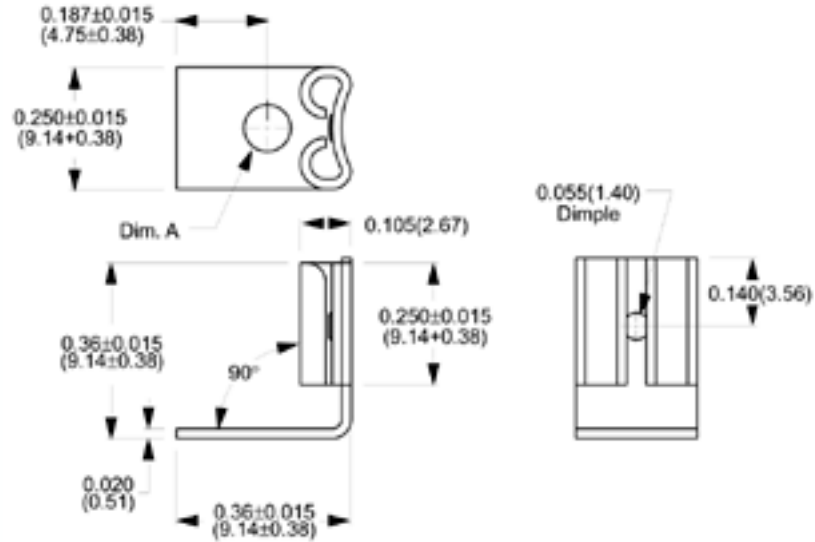
Part Number	Material Type	Finish Code	Inventory Type
875	C26000 Brass	11	Stock

0.187" (4.75mm)



[Part Number 919-096](#)

Part Number 919-096



Part Number	Material Type	Finish Code	Inventory Type	Dim 'A'
919-096	C26000 Brass	8	Stock	0.096" (2.44mm)

0.250" (6.35mm)



[Part Numbers 768 / 775](#)



[Part Numbers 769 / 770 / 776 / 777
/ 778 / 779](#)



[Part Numbers 850 / 851](#)



[Part Numbers 771 / 774-xxx](#)

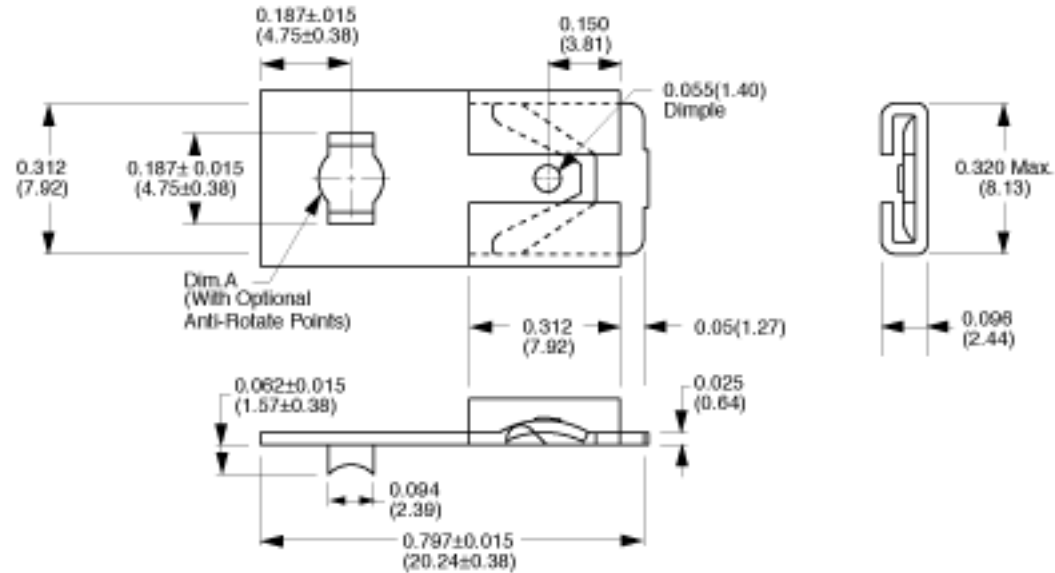


[Part Number 931](#)



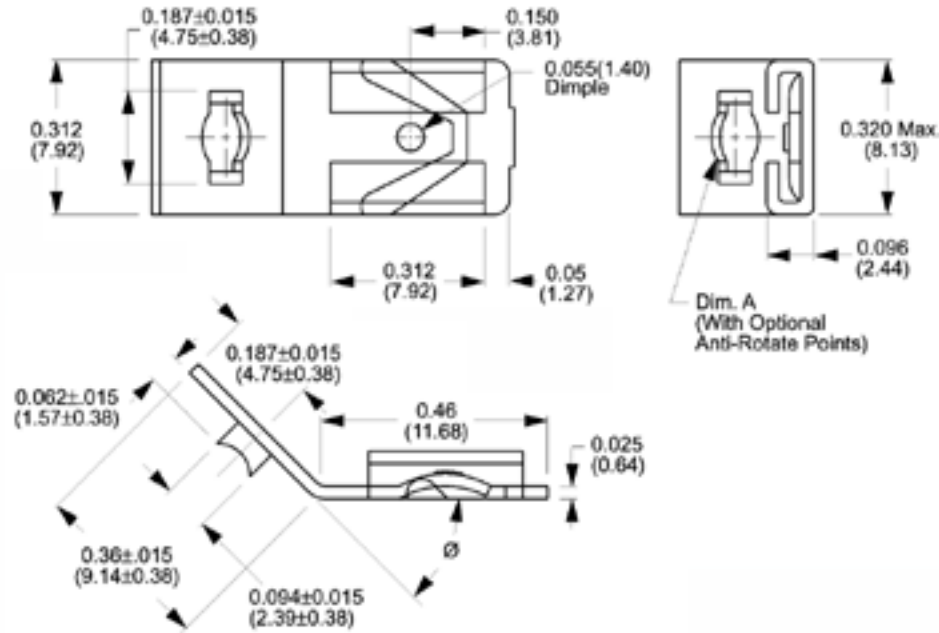
[Part Number 961-xxx](#)

Part Numbers 768 / 775



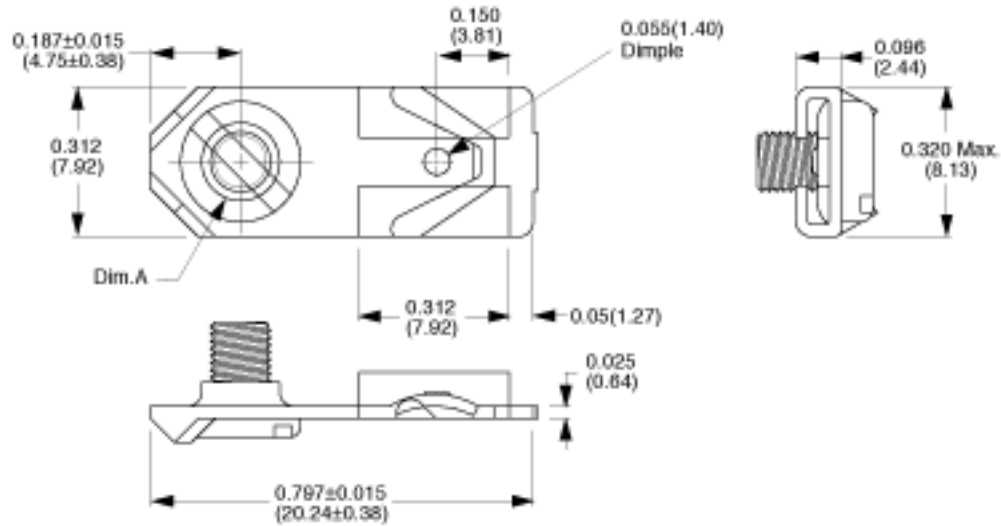
Part Number	Material Type	Finish Code	Inventory Type	Dim 'A'
768	C26000 Brass	0	Stock	0.135 (3.43mm) Hole
775	C26000 Brass	8	Special	0.135" (3.43mm) Hole w/ Anti Rotate Points

Part Numbers 769 / 770 / 776 / 777 / 778 / 779



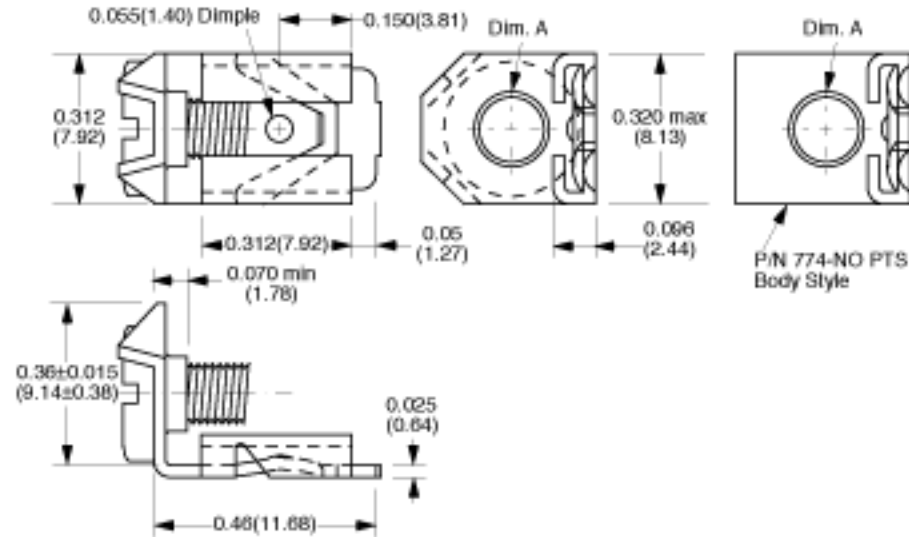
Part Number	Material Type	Finish Code	Inventory Type	Dim 'A'	Angle 'O'
769	C26000 Brass	8	Stock	0.135" (3.43mm) Hole	45°
770	C26000 Brass	8	Stock	0.135" (3.43mm) Hole	90°
776	C26000 Brass	8	Special	0.135" (3.43mm) Hole w/ Anti Rotate Points	45°
777	C26000 Brass	8	Special	0.135" (3.43mm) Hole w/ Anti Rotate Points	90°
778	C26000 Brass	8	Special	0.135" (3.43mm) Hole	60°
779	C26000 Brass	8	Special	0.135" (3.43mm) Hole w/ Anti Rotate Points	60°

Part Numbers 850 / 851



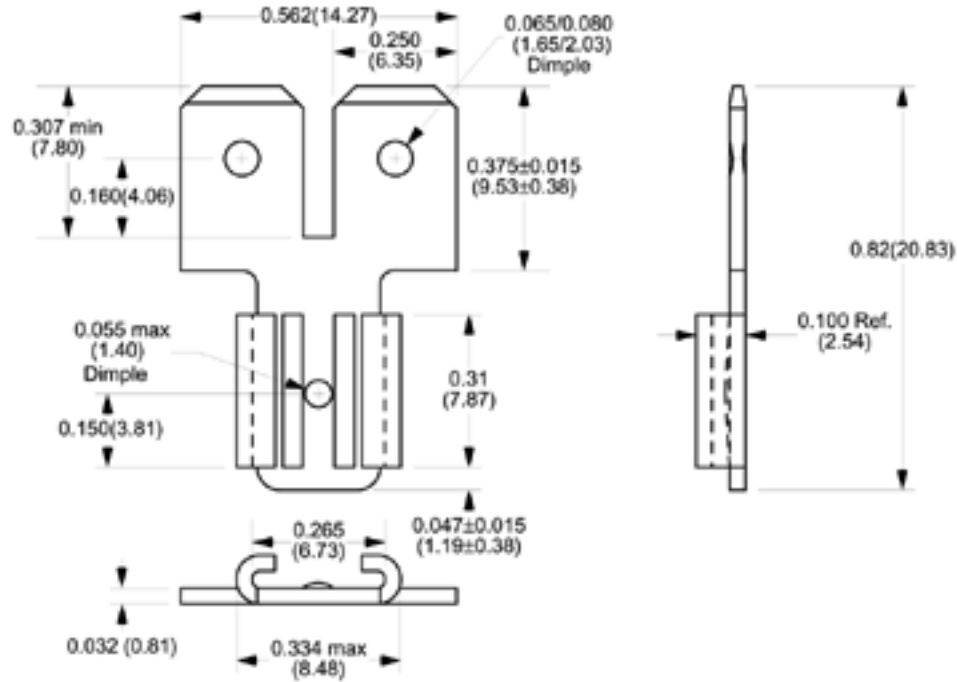
Part Number	Material Type	Finish Code	Inventory Type	Dim 'A'
850	C26000 Brass	8	Stock	Tapped 1/4" x 6-32 Brass Screw Inserted
851	C26000 Brass	8	Special	Tapped 1/4" x 6-32 No Screw Inserted

Part Numbers 771 / 774-xxx



Part Number	Material Type	Finish Code	Inventory Type	Dim 'A'
771	C26000 Brass	0	Stock	Tapped 1/4" x 6-32 Brass Screw Inserted
774	C26000 Brass	0	Stock	Tapped 1/4" x 6-32 No Screw Inserted
774-NO PTS	C26000 Brass	0	Special	Tapped 1/4" x 6-32 No Screw Inserted, Omit Wire Stops

Part Number 931



Part Number

Material Type

Finish Code

Inventory Type

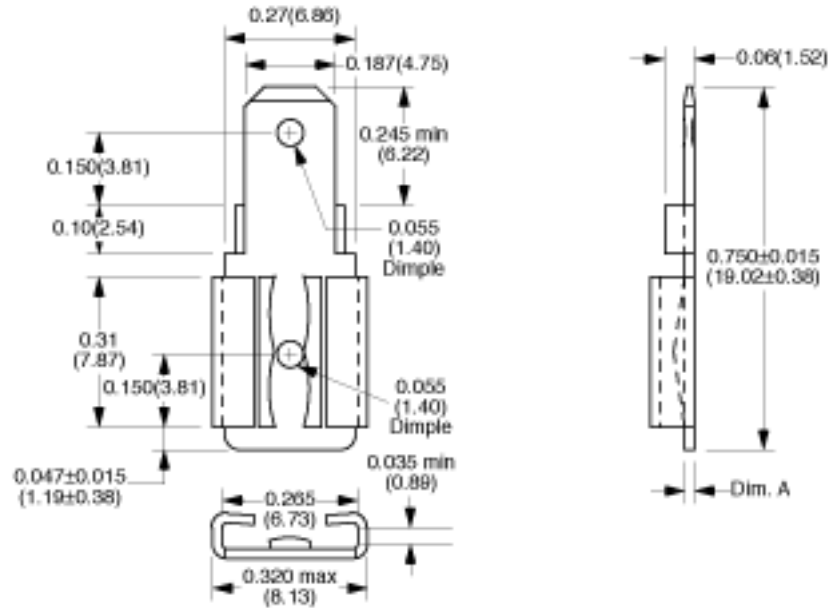
931

C26000 Brass

5

Stock

Part Number 961-xxx



Part Number	Material Type	Finish Code	Inventory Type	Dim 'A'
961	C26000 Brass	8	Stock	0.020" (0.51mm)
961-032BR	C26000 Brass	8	Special	0.032" (0.81mm)

0.250" (6.35mm) Combo



[Part Numbers 850 / 851](#)



[Part Numbers 771 / 774-xxx](#)

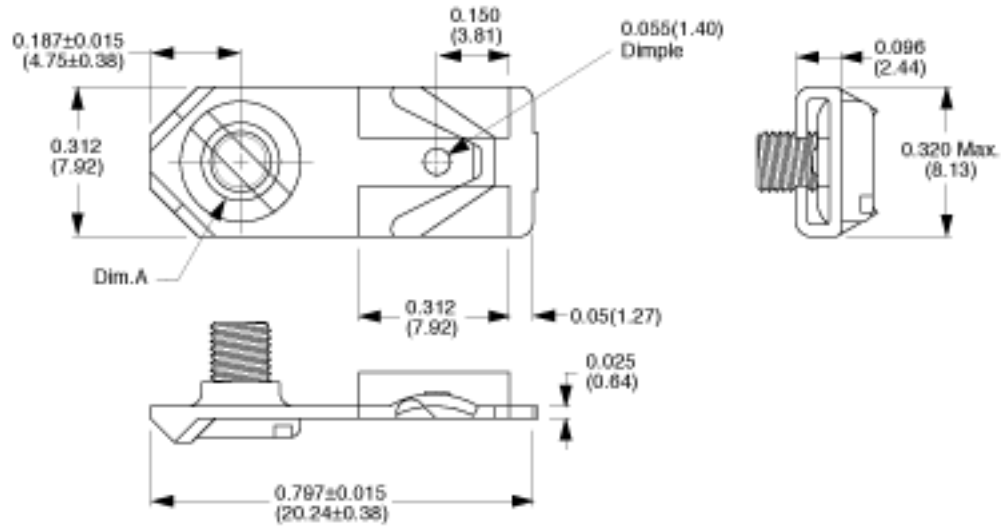


[Part Number 931](#)



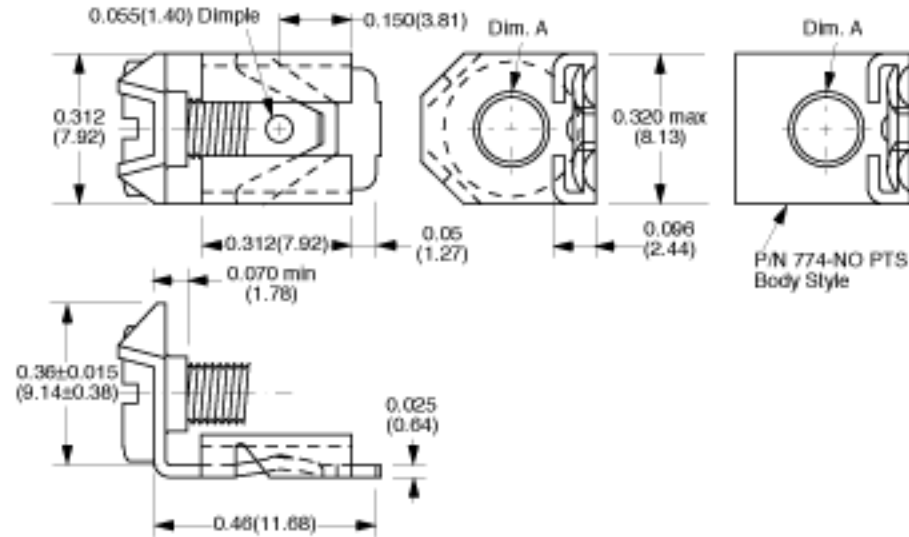
[Part Number 961-xxx](#)

Part Numbers 850 / 851



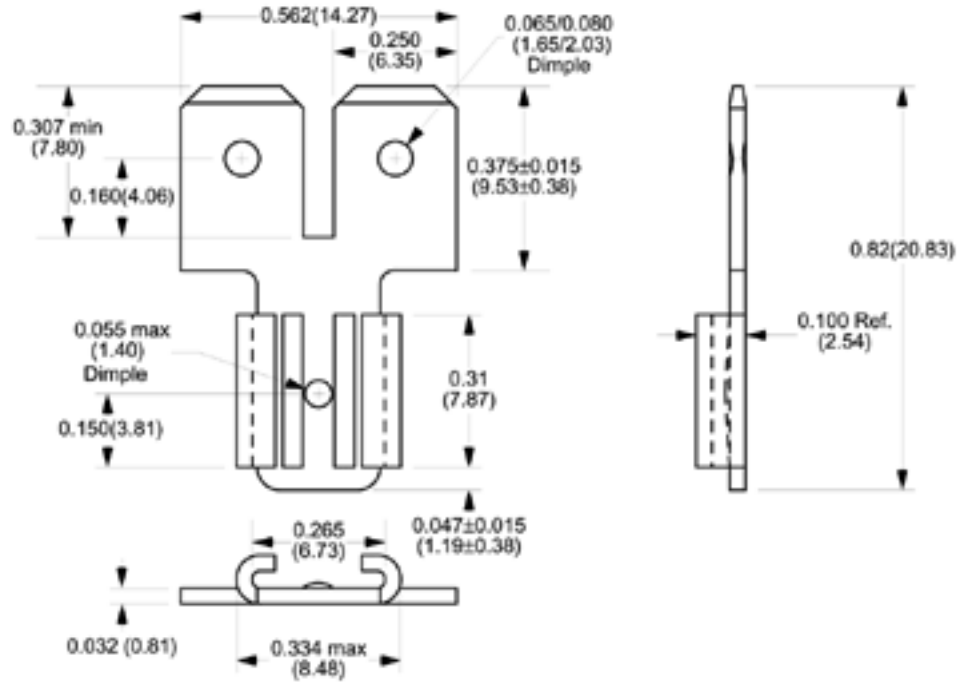
Part Number	Material Type	Finish Code	Inventory Type	Dim 'A'
850	C26000 Brass	8	Stock	Tapped 1/4" x 6-32 Brass Screw Inserted
851	C26000 Brass	8	Special	Tapped 1/4" x 6-32 No Screw Inserted

Part Numbers 771 / 774-xxx



Part Number	Material Type	Finish Code	Inventory Type	Dim 'A'
771	C26000 Brass	8	Stock	Tapped 1/4" x 6-32 Brass Screw Inserted
774	C26000 Brass	8	Stock	Tapped 1/4" x 6-32 No Screw Inserted
774-NO PTS	C26000 Brass	8	Special	Tapped 1/4" x 6-32 No Screw Inserted, Omit Wire Stops

Part Number 931



Part Number

Material Type

Finish Code

Inventory Type

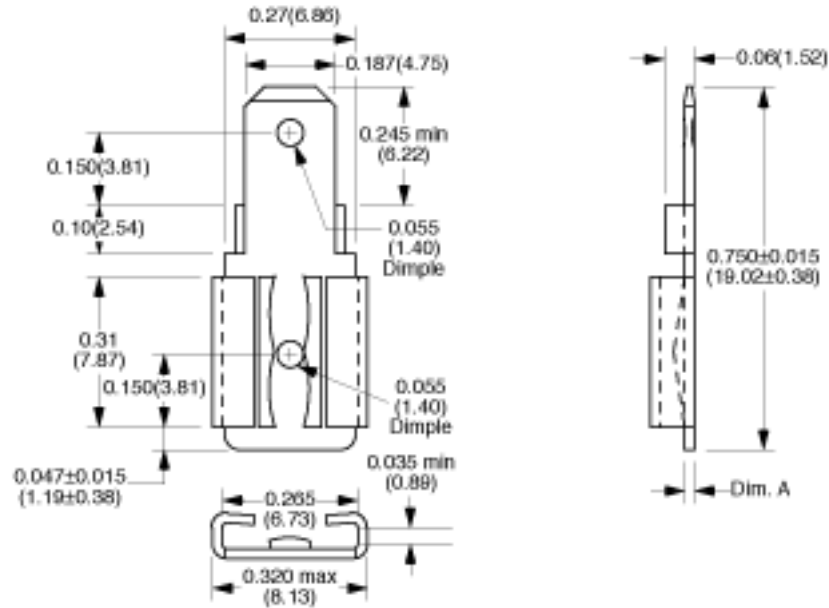
931

C26000 Brass

5

Stock

Part Number 961-xxx



Part Number	Material Type	Finish Code	Inventory Type	Dim 'A'
961	C26000 Brass	8	Stock	0.020" (0.51mm)
961-032BR	C26000 Brass	8	Special	0.032" (0.81mm)

Fuse Clip Terminals

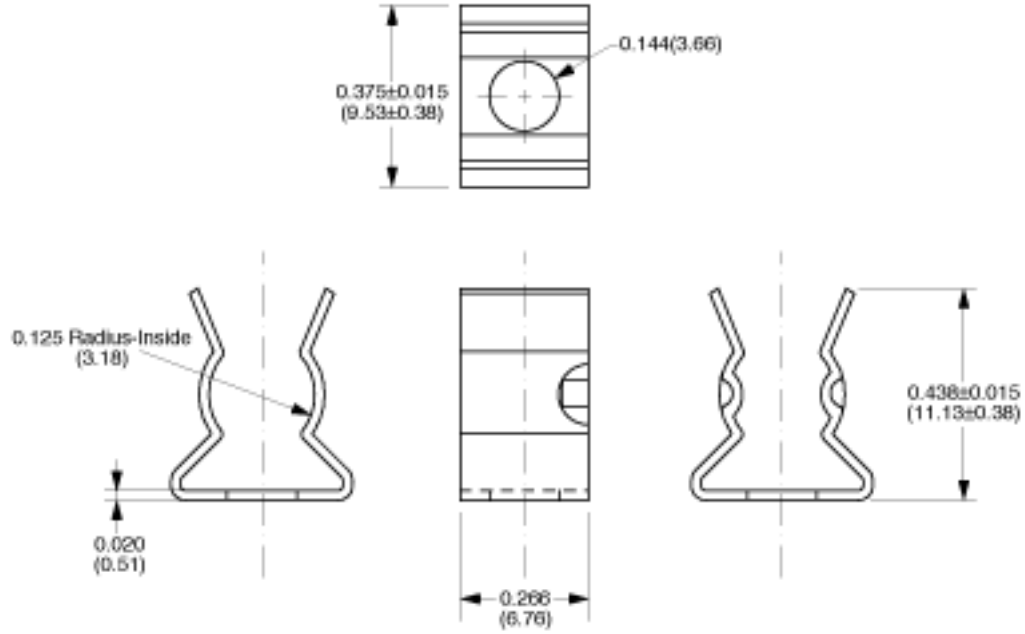


[Part Number 466-144](#)



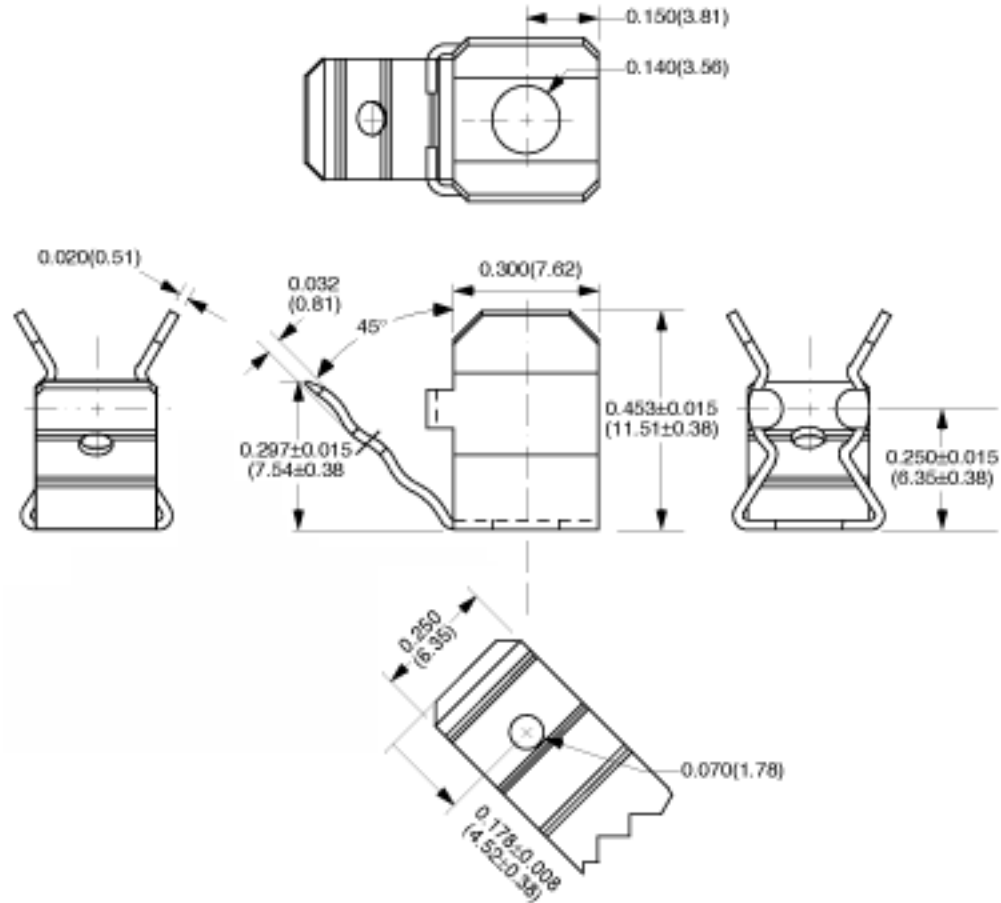
[Part Number 997](#)

Part Number 466-144



Part Number	Material Type	Finish Code	Inventory Type	Terminal Type
466-144	C26000 Brass	8	Stock	Without Fuse Stop

Part Number 997



Part Number	Material Type	Finish Code	Inventory Type
997	C26000 Brass	8	Special

Spring Clips

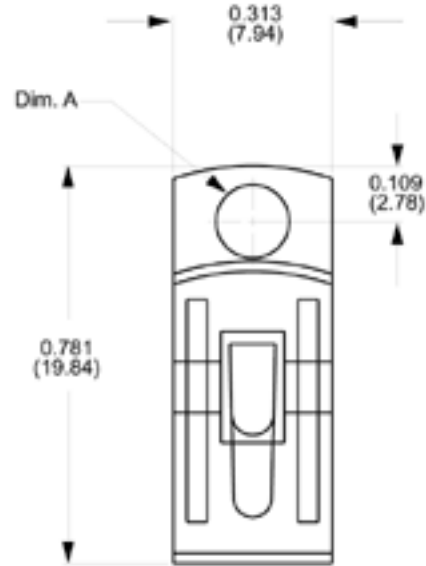
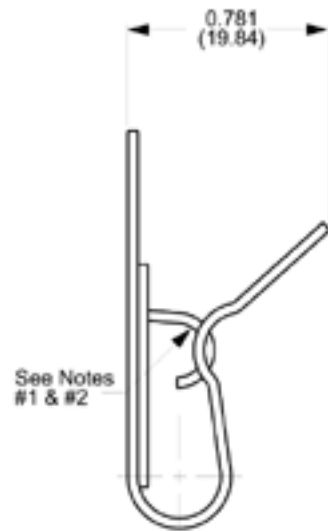


[Part Numbers 146-144-x](#)



[Part Numbers 255-130-x](#)

Part Numbers 146-144-x

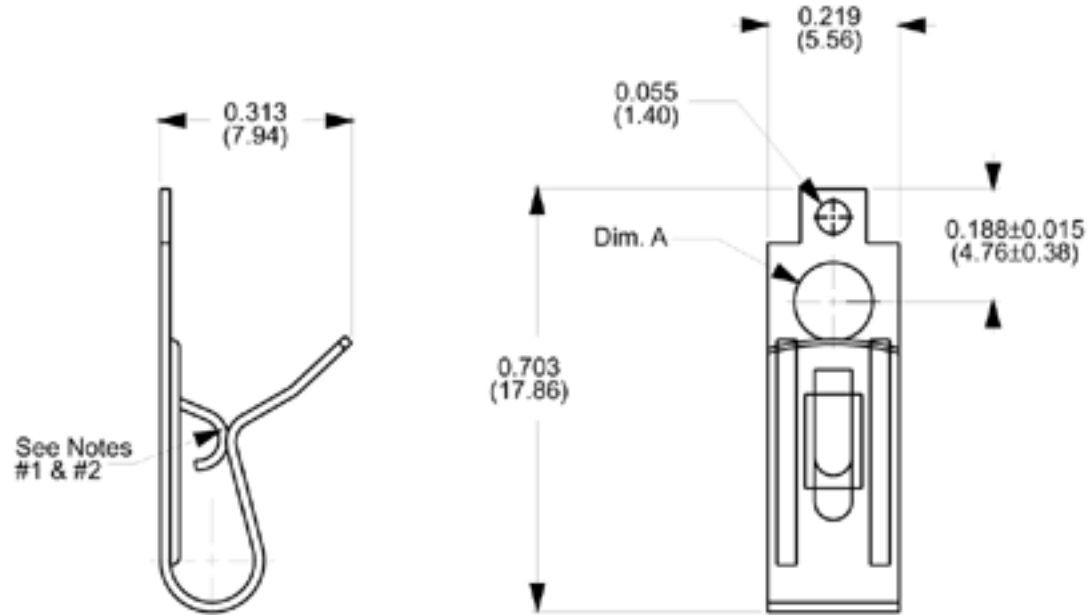


NOTES:

- 1- WHEN SPRING IS COMPRESSED, AN 0.093" DIA. PIN SHOULD PUSH THROUGH.
- 2- WHEN SPRING IS RELAXED, AN 0.016" DIA. PIN SHOULD BE HELD IN PLACE.

Part Number	Material Type	Finish Code	Inventory Type	Dim. 'A'
146-144	C26000 Brass	8	Stock	.144"
146-144-9	C26000 Brass	9	Stock	.144"

Part Numbers 255-130-x, 255-156



Part Number	Material Type	Finish Code	Inventory Type	Dim. 'A'
255-130	C26000 Brass	8	Stock	.130"
255-130-3	C26000 Brass	3	Stock	.130"
255-130-4	C26000 Brass	4	Stock	.130"
255-130-9	C26000 Brass	9	Stock	.130"
255-156	C26000 Brass	8	Stock	.156"

Screw Terminals



Part Numbers 945 / 1006 / 1006 No
Tap



Part Numbers 348 / 792



Part Numbers 1116 ST. S / 1117 ST.
S / 1202



Part Number 1030

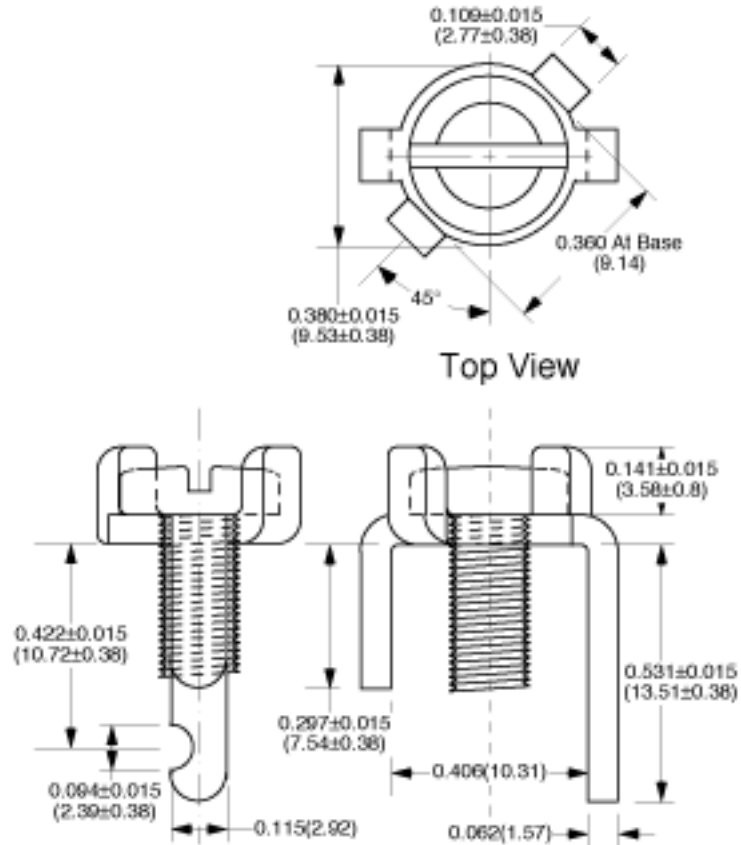


Part Numbers 731 / 934 ST. S /
1108



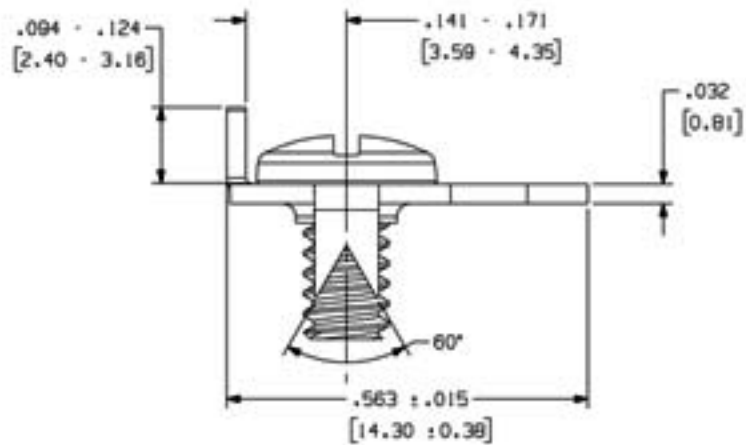
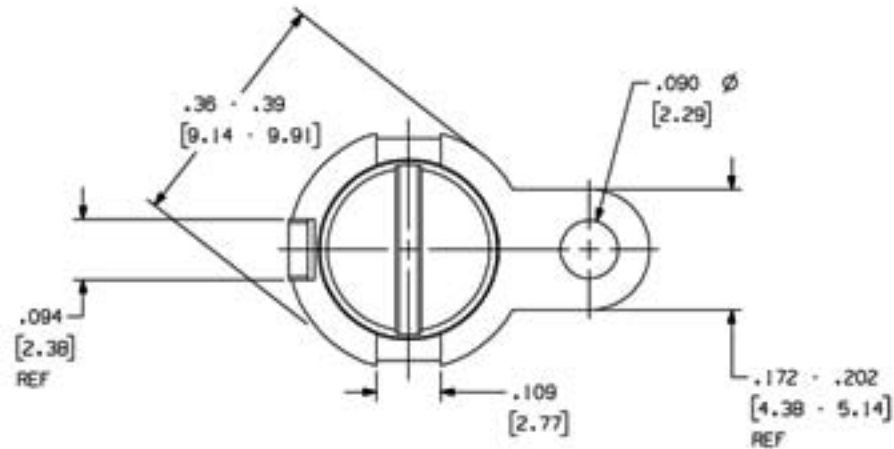
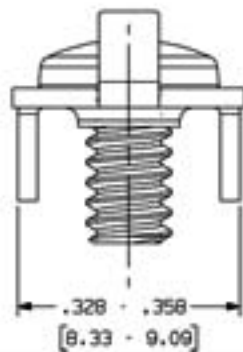
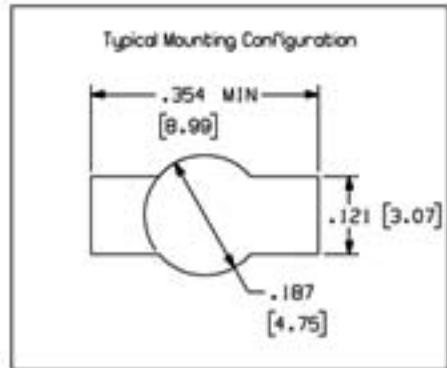
Part Numbers 928 No Screw / 928

Part Numbers 945 / 1006 / 1006 No Tap

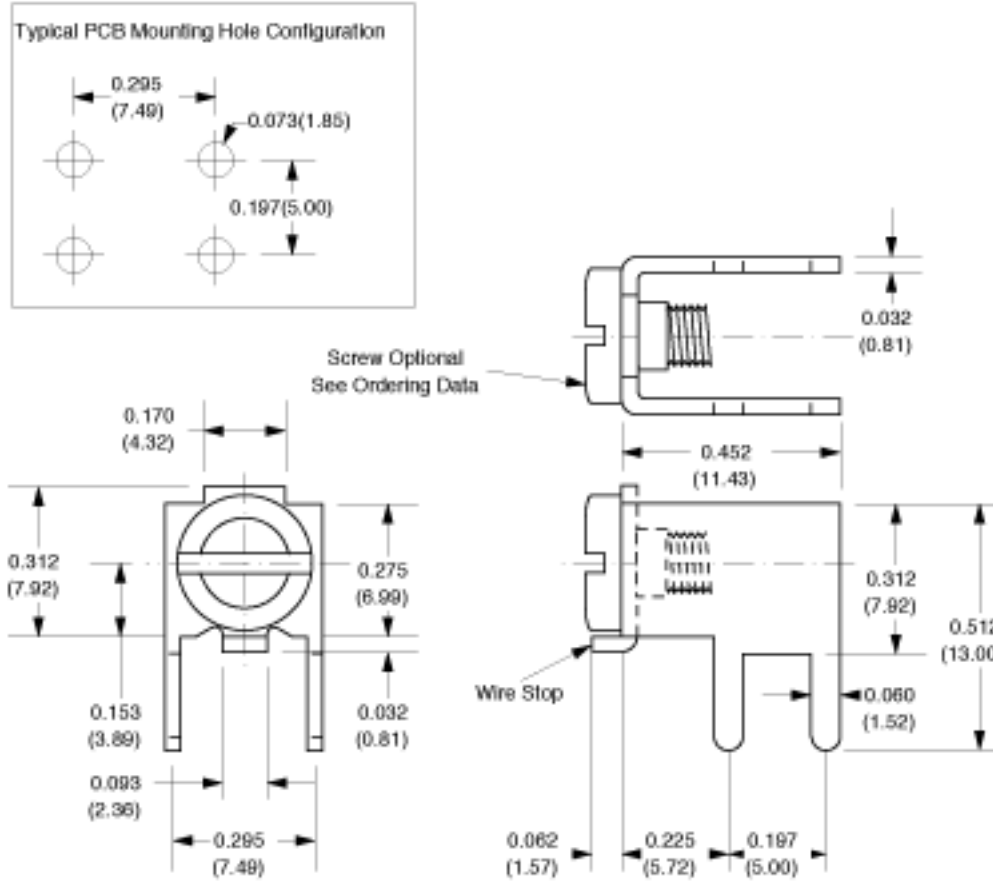


Part Number	Material Type	Finish Code	Screw Type	Screw Position	Inventory Type
945	C26000 Brass	0	Tin Plated Brass, 3/8" x 8-32	Screw Inserted & Down	Stock
1006	C26000 Brass	0	No Screw	No Screw	Special
1006 No Tap	C26000 Brass	0	No Screw, 0.14" (3.81mm) Hole	No Screw	Stock

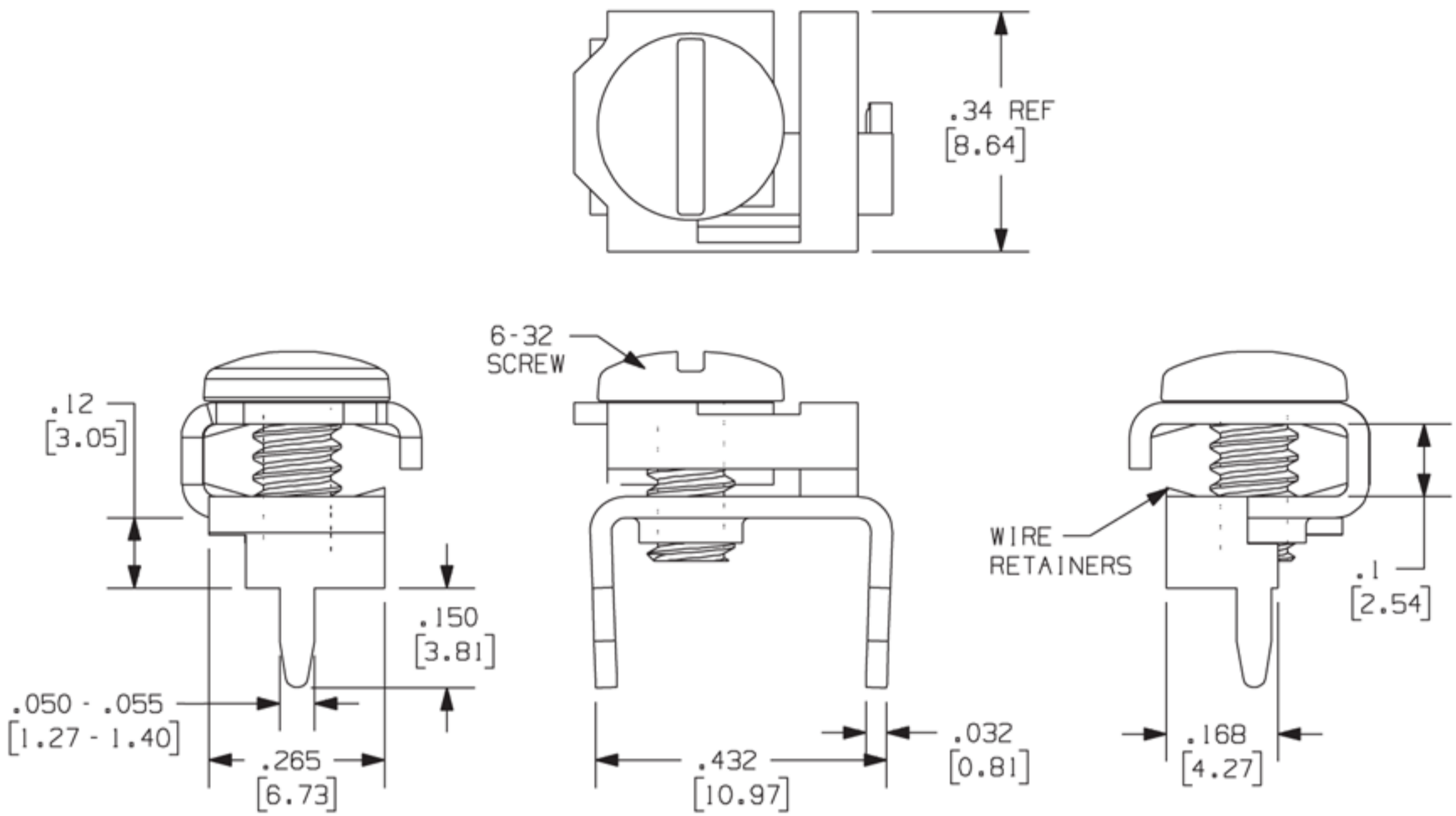
Part Numbers 348 / 792



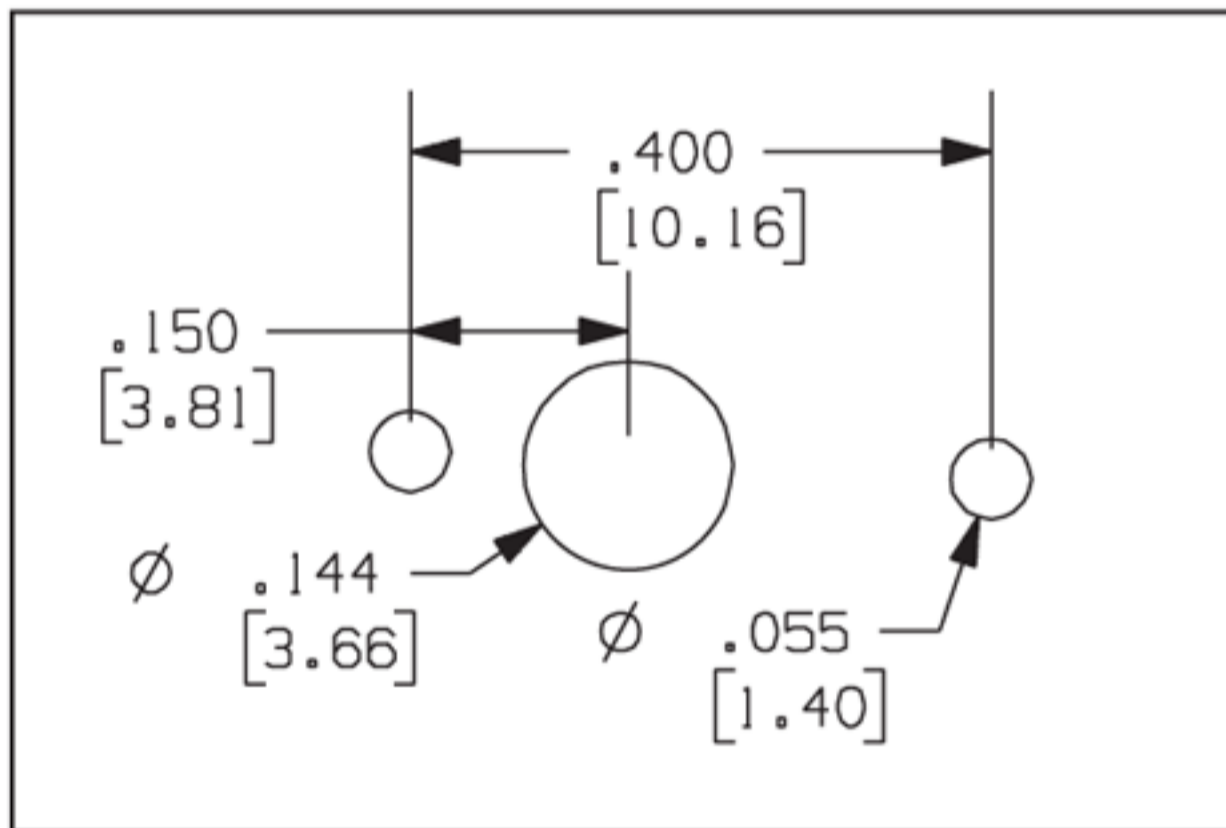
Part Number	Material Type	Finish Code	Screw Type	Screw Position	Inventory Type
348	C26000 Brass	0	With Screw		Special
792	C26000 Brass	0	No Screw	No Screw	Stock



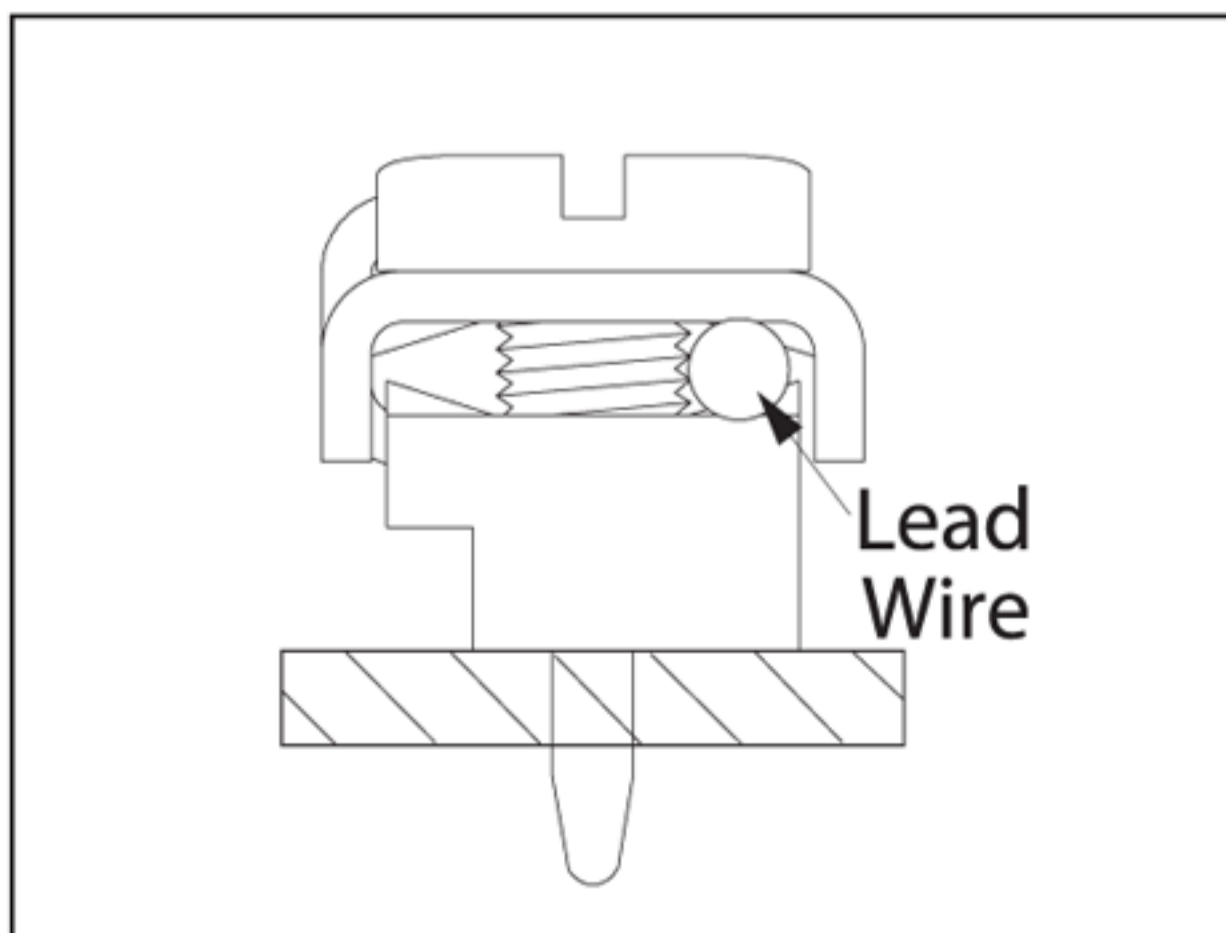
Part Number	Material Type	Finish Code	Screw Type	Screw Position	Wire Stop	Inventory Type
1116 ST. S	C26000 Brass	11	Stainless Steel Binding Head 1/4" (6.35mm) × 6-32	Fully Inserted	Yes	Stock
1117 ST. S	C26000 Brass	11	Stainless Steel Binding Head 1/4" (6.35mm) × 6-32	Fully Inserted	No	Stock
1202	C26000 Brass	11	Stainless Steel Binding Head 1/4" (6.35mm) × 6-32	Inserted, Staked & Backed Out	Yes	Stock



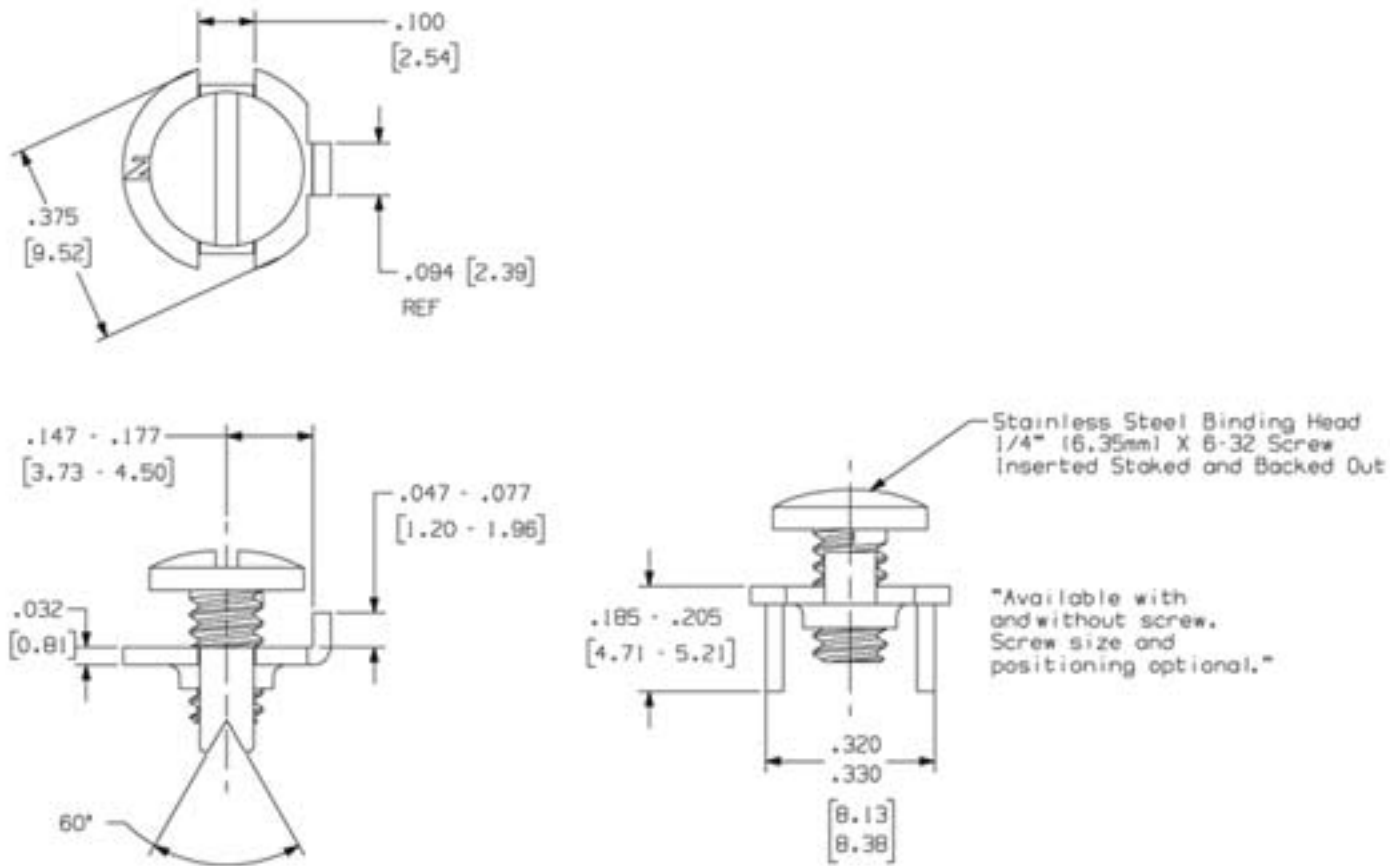
Typical PCB Mounting Hole Configuration



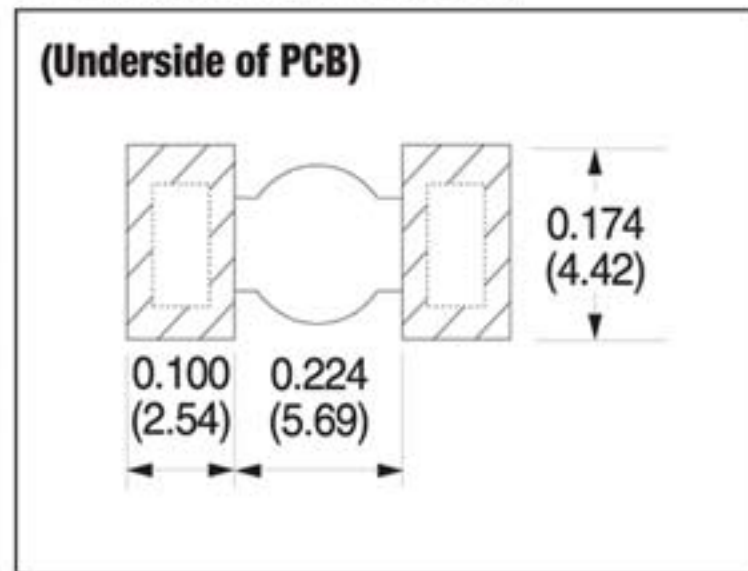
Clamp Down Condition



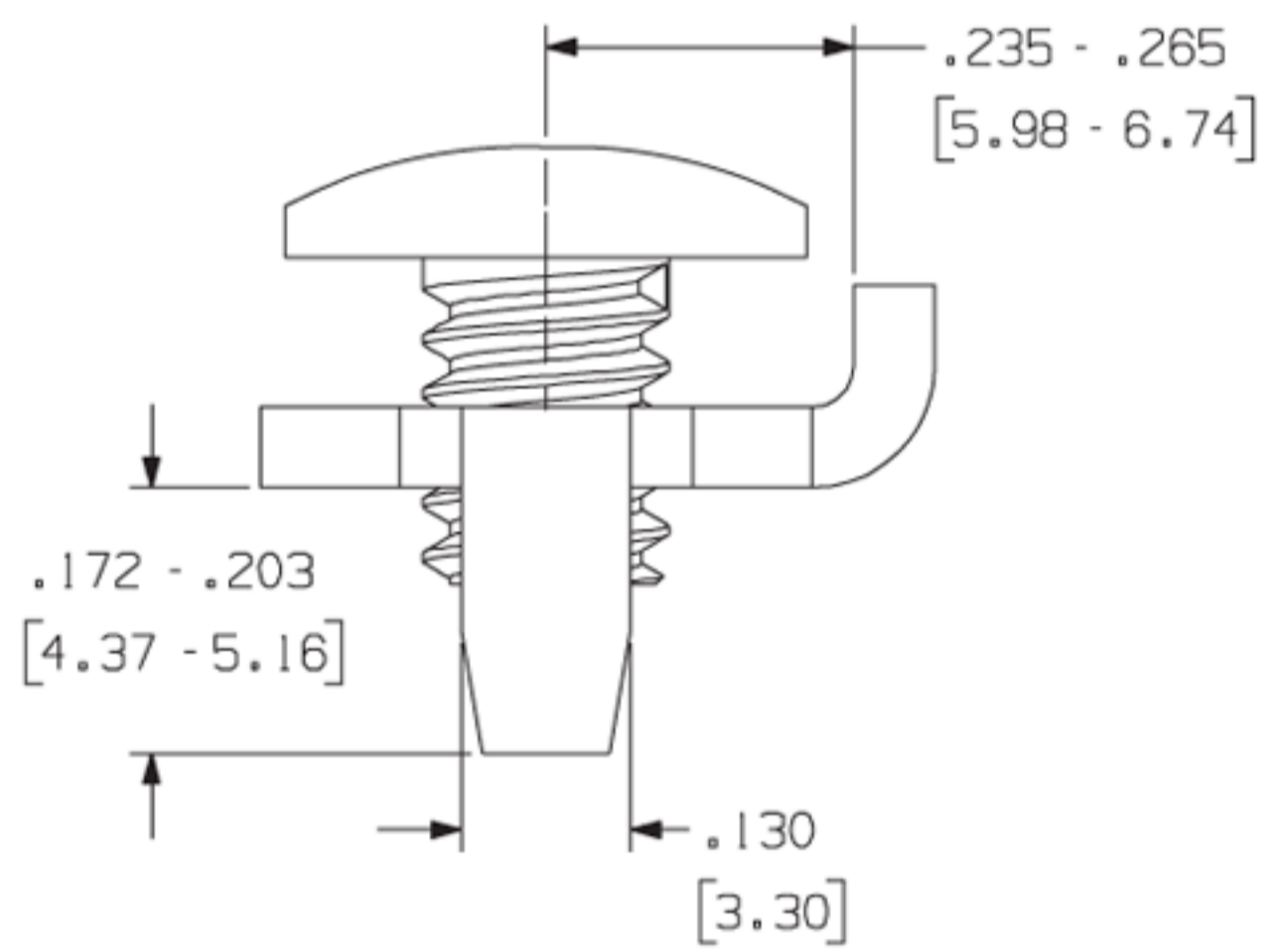
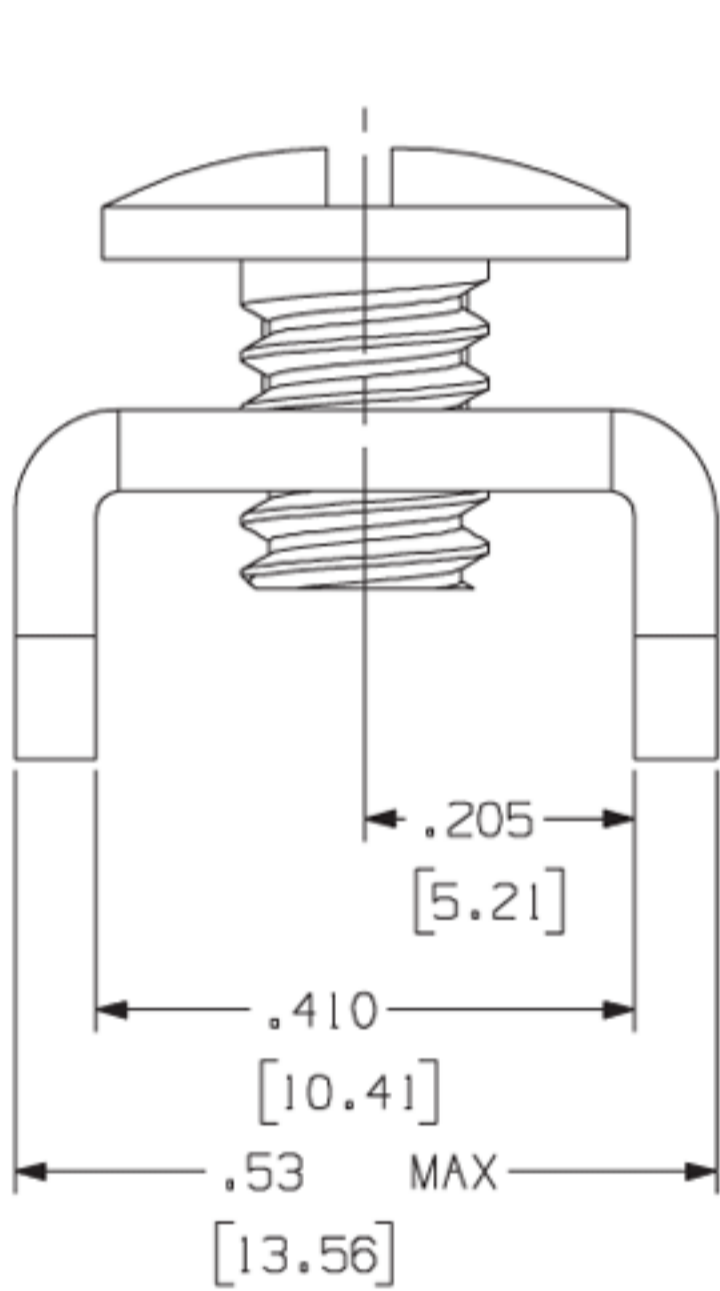
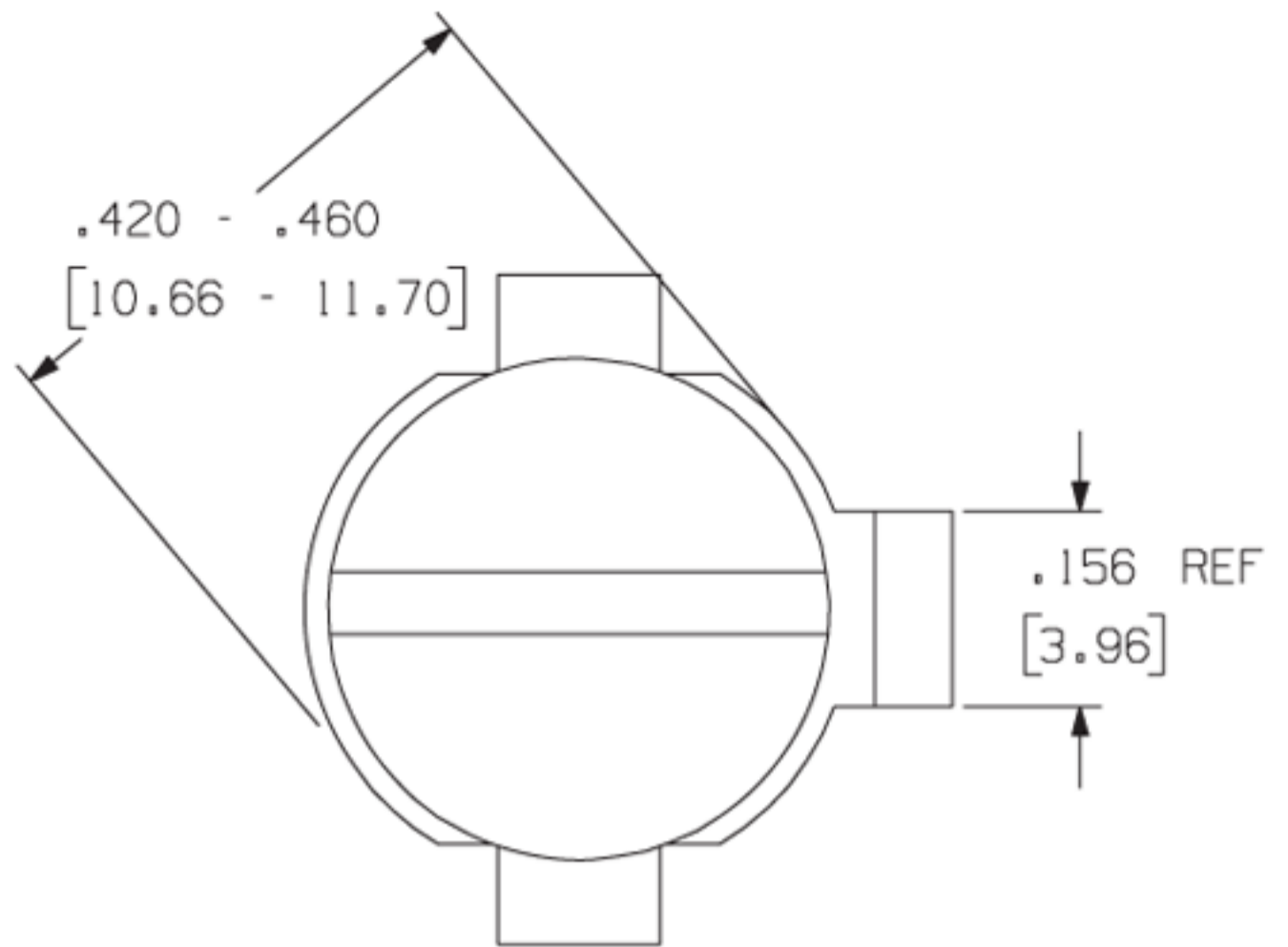
Part Number	Material Type	Finish Code	Screw Type	Screw Position	Inventory Type
1030	C26000 Brass	0	Stainless Steel Binding Head 5/16" (7.92mm) x 6-32	Inserted, Staked And Backed-Out	Stock



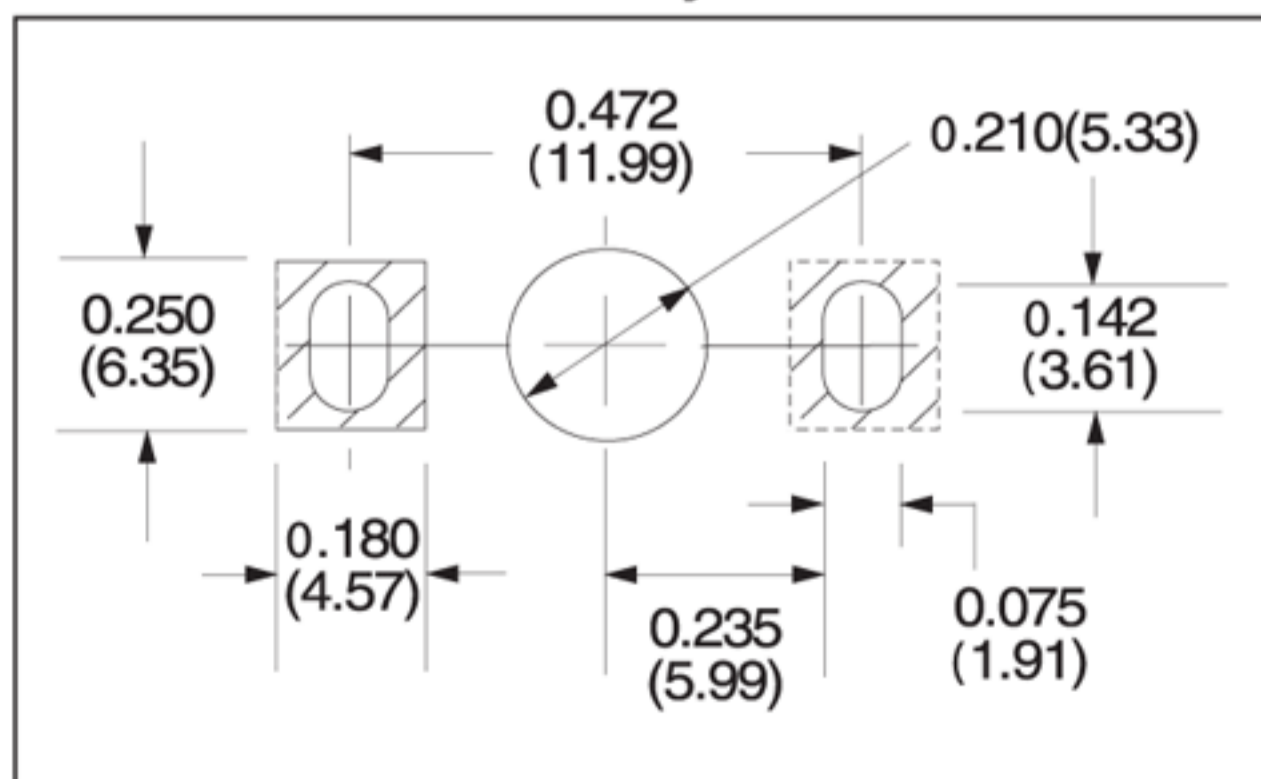
Recommended Pad Geometry



Part Number	Material Type	Finish Code	Screw Type	Screw Position	Inventory Type
731	C26000 Brass	0	No Screw	No Screw	Stock
934 ST.S	C26000 Brass	0	Stainless Steel Binding Head 1/4" (6.35mm) x 6-32	Inserted, Staked and Backed-Out	Stock
1108	C26000 Brass	0	Stainless Steel Binding Head 1/4" (6.35mm) x 6-32	Inserted, Staked and Down	Stock

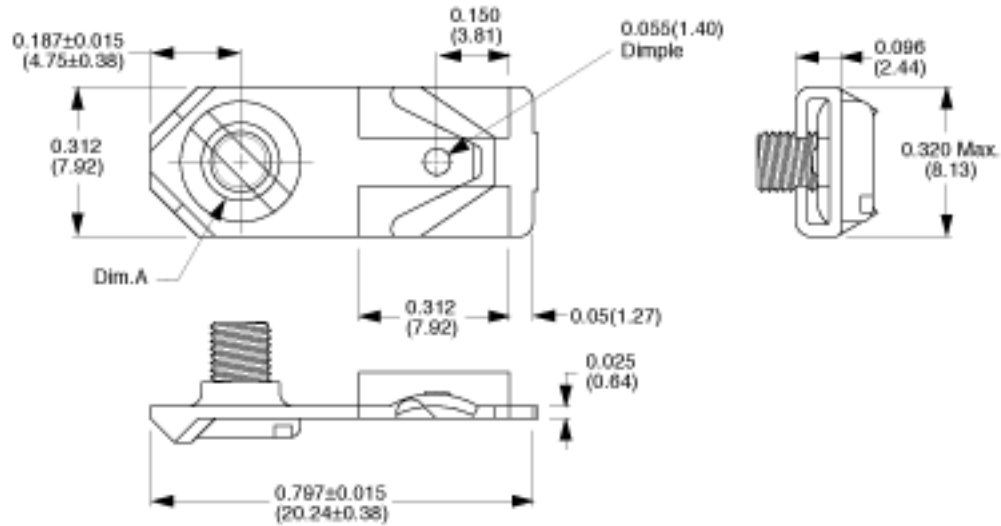


Typical PCB Mounting Configuration and Recommended Pad Geometry



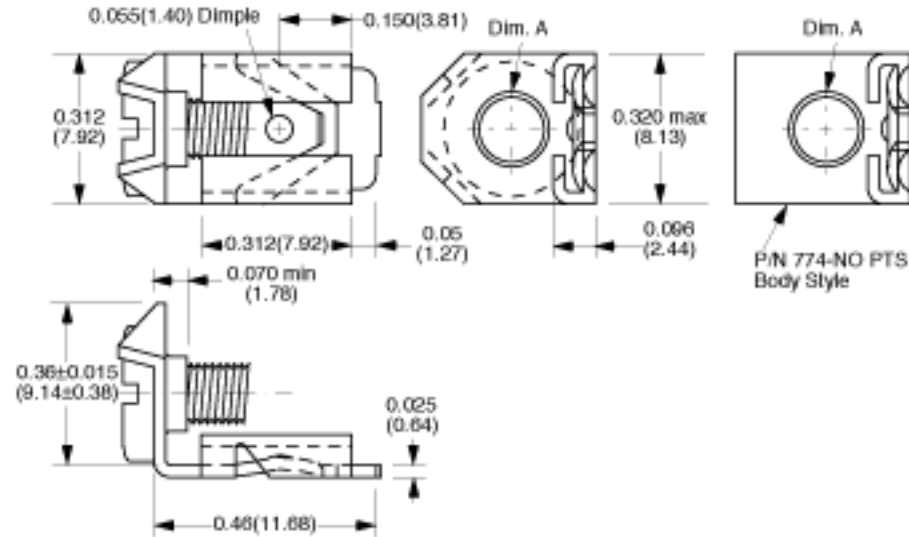
Loose Part No.	928	928-No Screw	928-No Stake
Material Thickness / Type	0.062" (1.57mm) C26000 Brass		
Standard Finish	100% Tin over Copper		
Screw Type	Stainless Steel Binding Head 1/4" (6.35mm) x 10-32	No Screw	
Screw Position	Inserted, Staked and Backed-Out	No Screw	

Part Numbers 850 / 851



Part Number	Material Type	Finish Code	Inventory Type	Dim 'A'
850	C26000 Brass	8	Stock	Tapped 1/4" x 6-32 Brass Screw Inserted
851	C26000 Brass	8	Special	Tapped 1/4" x 6-32 No Screw Inserted

Part Numbers 771 / 774-xxx



Part Number	Material Type	Finish Code	Inventory Type	Dim 'A'
771	C26000 Brass	8	Stock	Tapped 1/4" x 6-32 Brass Screw Inserted
774	C26000 Brass	8	Stock	Tapped 1/4" x 6-32 No Screw Inserted
774-NO PTS	C26000 Brass	8	Special	Tapped 1/4" x 6-32 No Screw Inserted, Omit Wire Stops

Ring Terminals



Part Numbers 1-xxx



Part Numbers 905-xxx / 914-xxx



Part Numbers 913-xxx / 915-xxx /
5037-xxx



Part Numbers 5038-xxx



Part Numbers 93-250 / 208-250 /
628-250



Part Numbers 629-xxx



Part Number 5012-196-11

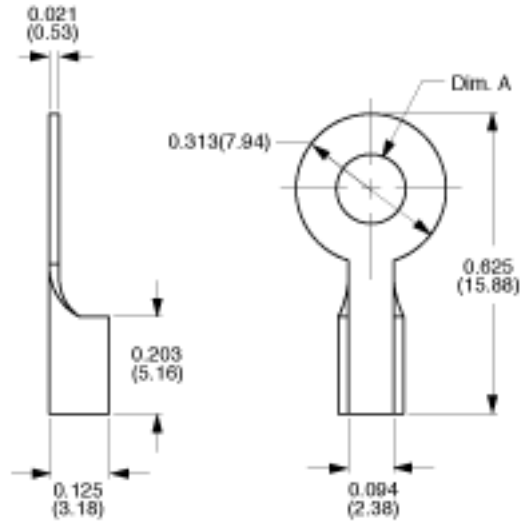


Part Numbers 18-xxx



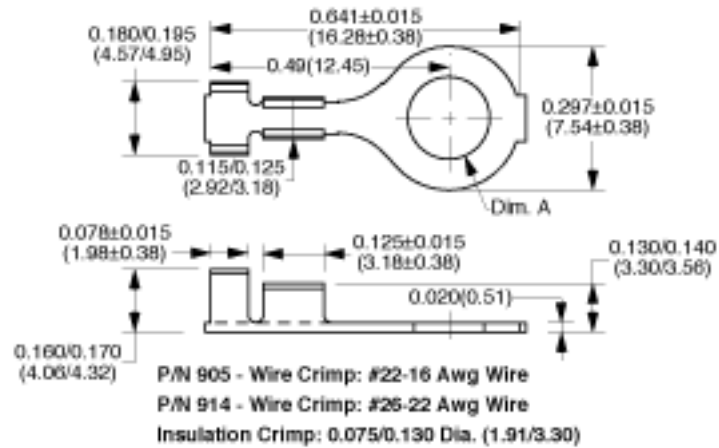
Part Numbers 28-xxx

Part Numbers 1-xxx



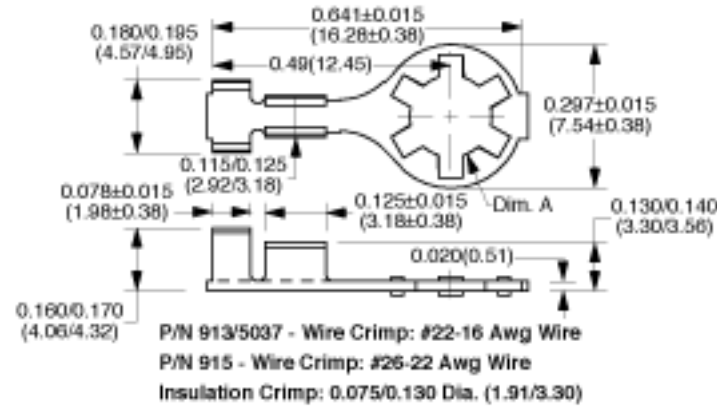
Part Number	Material Type	Finish Code	Inventory Type	Dim. 'A'
1-144	C26000 Brass	0	Special	.144" (3.66mm)
1-169	C26000 Brass	0	Special	.169" (4.29mm)

Part Numbers 905-xxx / 914-xxx



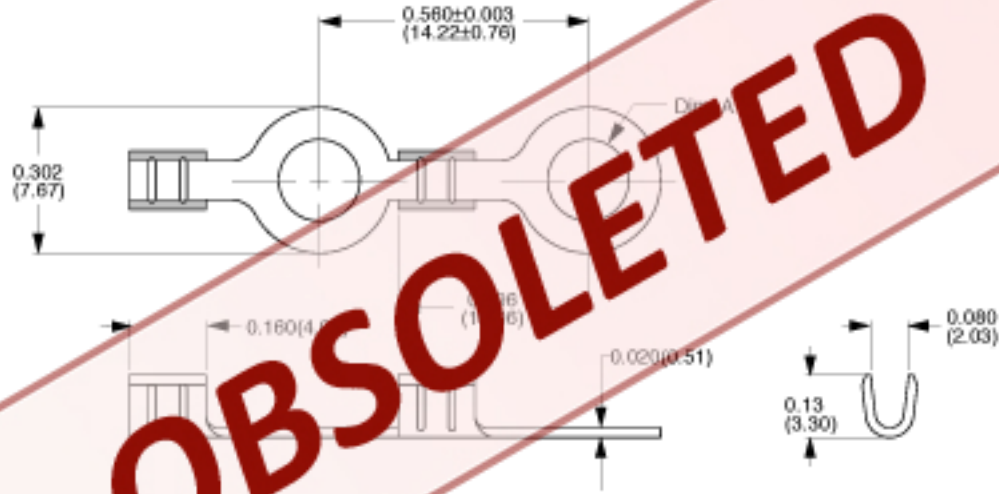
Part Number	Package Type	Material Type	Finish Code	Inventory Type	Dim. 'A'
905-120	Loose	C26000 Brass	11	Special	.120" (3.05mm)
905-144	Loose	C26000 Brass	11	Special	.144" (3.66mm)
905-169	Loose	C26000 Brass	11	Special	.169" (4.29mm)
914-120	Loose	C26000 Brass	11	Special	.120" (3.05mm)
914-120	Loose	C26000 Brass	14	Special	.120" (3.05mm)
914-169	Loose	C26000 Brass	11	Special	.169" (4.29mm)
914-196	Loose	C26000 Brass	11	Special	.196" (4.98mm)

Part Numbers 913-xxx / 915-xxx / 5037-xxx



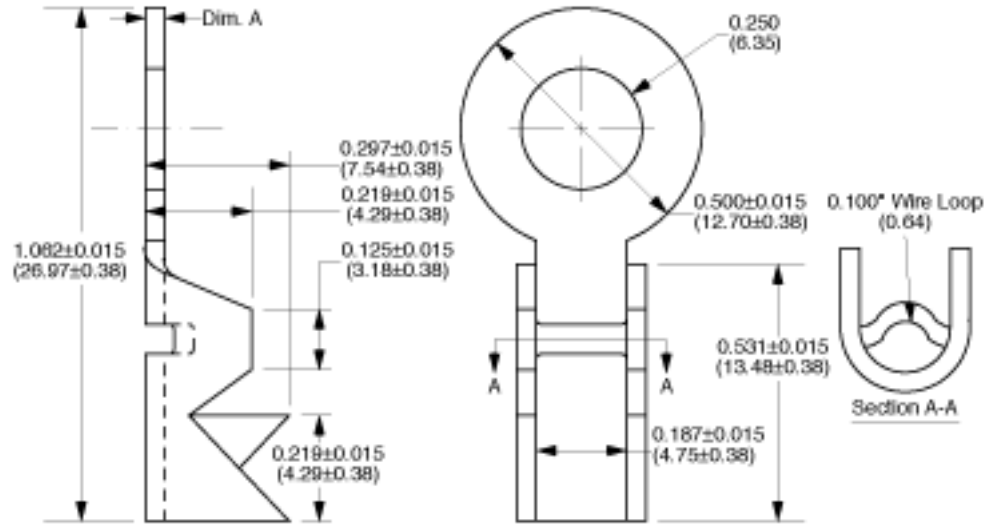
Part Number	Package Type	Material Type	Finish Code	Inventory Type	Dim. 'A'
913-144-11	Loose	C26000 Brass	11	Special	.144" (3.66mm)
913-169-11	Loose	C26000 Brass	11	Special	.169" (4.29mm)
915-144	Loose	C26000 Brass	11	Special	.144" (3.66mm)
915-169	Loose	C26000 Brass	11	Special	.169" (4.29mm)
5037-144	Reeled	C26000 Brass	9	Special	.144" (3.66mm)
5037-144-11	Reeled	C26000 Brass	11	Special	.144" (3.66mm)
5037-169-11	Reeled	C26000 Brass	11	Special	.169" (4.29mm)

Part Numbers 5038-xxx



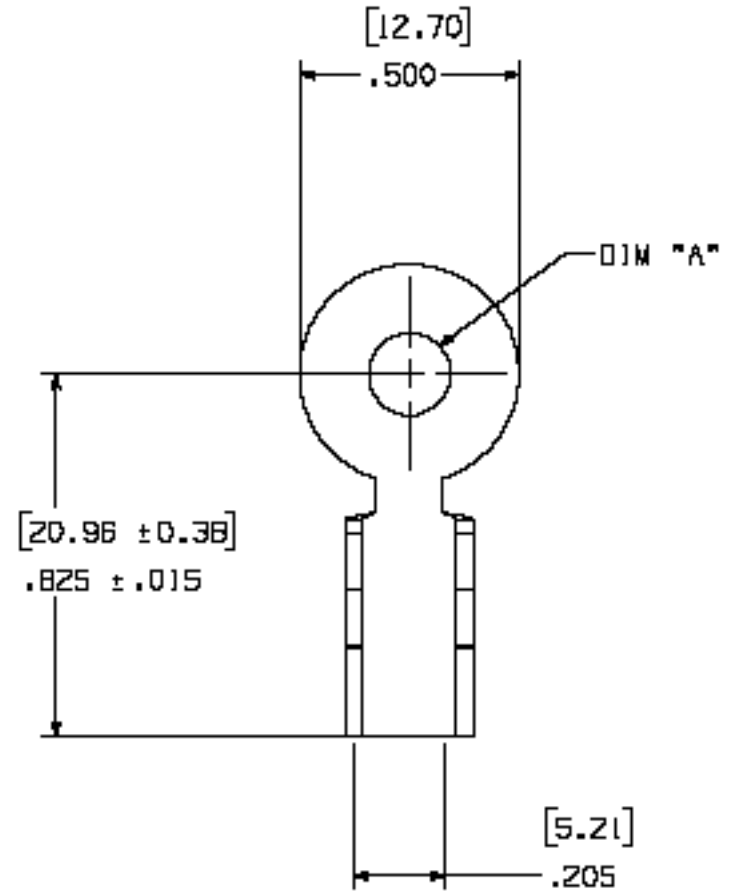
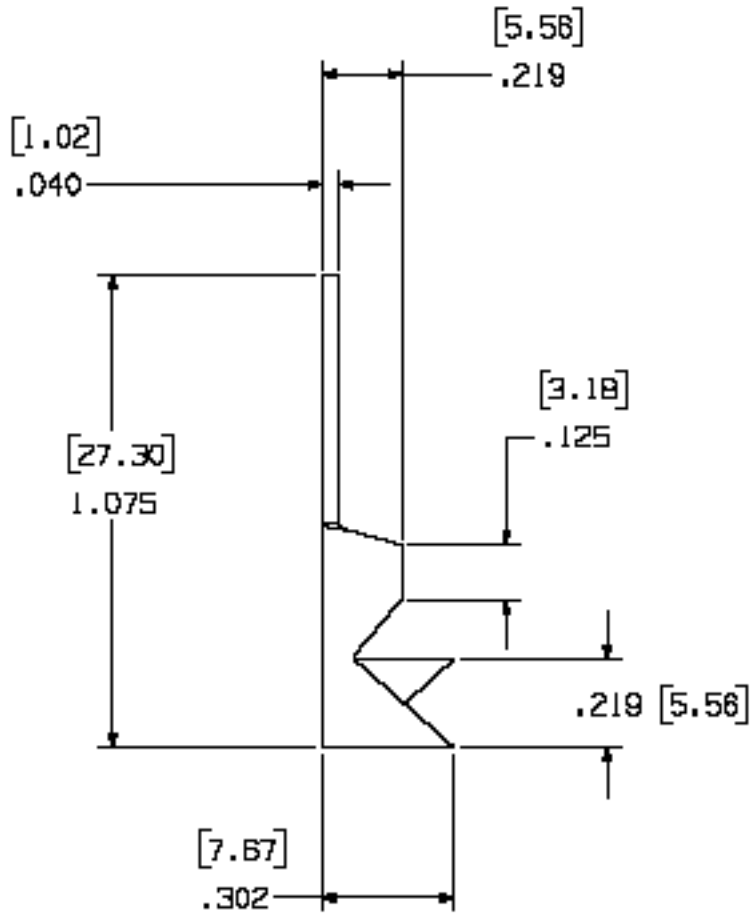
Part Number	Material Type	Finish Code	Inventory Type	Dim. 'A'
5038-094	C26000 Brass	9	Special	0.094" (2.39mm)
5038-169	C26000 Brass	9	Special	0.169" (4.29mm)
5038-169-11	C26000 Brass	11	Special	0.169" (4.29mm)

Part Numbers 93-250 / 208-250 / 628-250



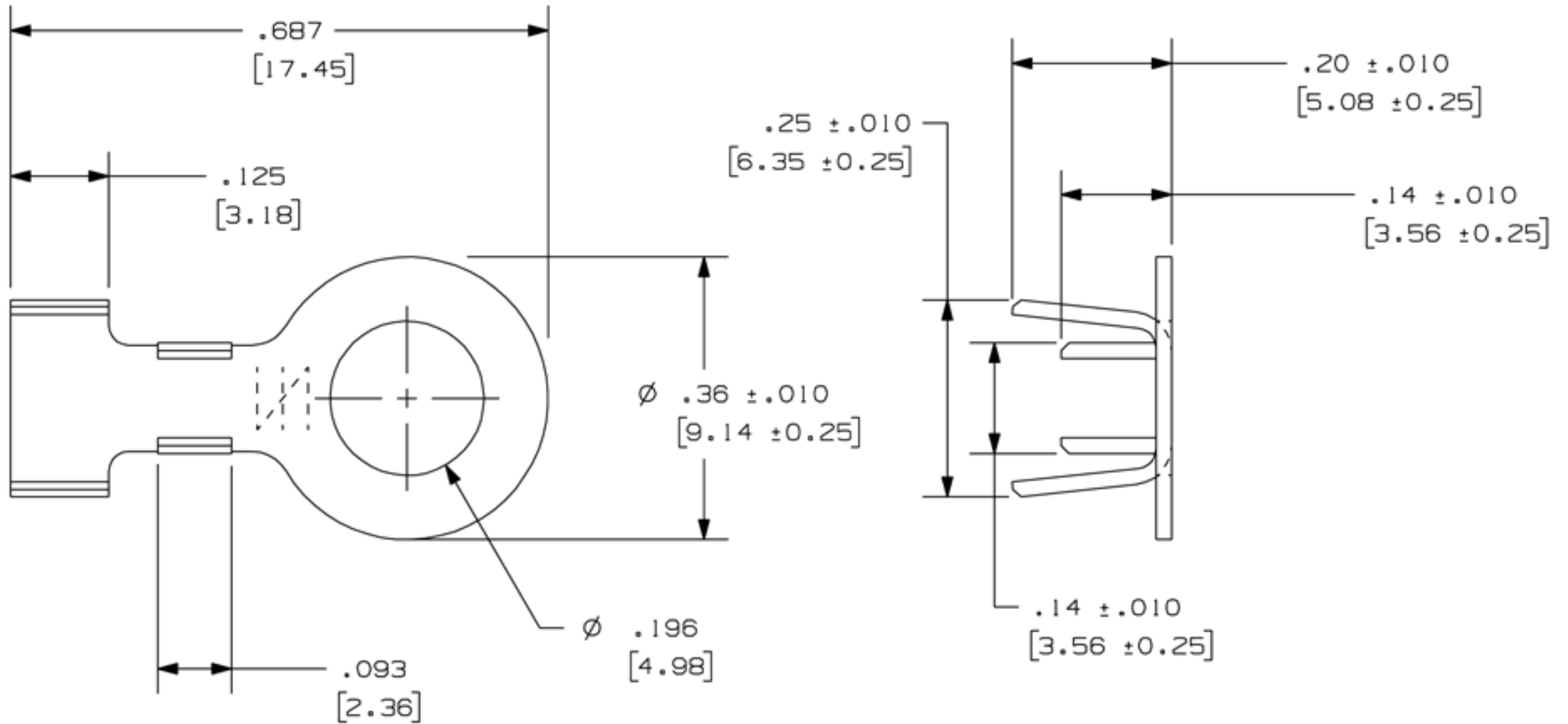
Part Number	Material Type	Finish Code	Inventory Type	Dim. 'A'	Terminal Style
93-250	C11000 Copper	0	Special	0.025" (0.64mm)	W/Wire Loop
208-250	C11000 Copper	0	Special	0.025" (0.64mm)	W/O Wire Loop
628-250	C11000 Copper	0	Special	0.040" (1.02mm)	W/Wire Loop

Part Numbers 629-xxx



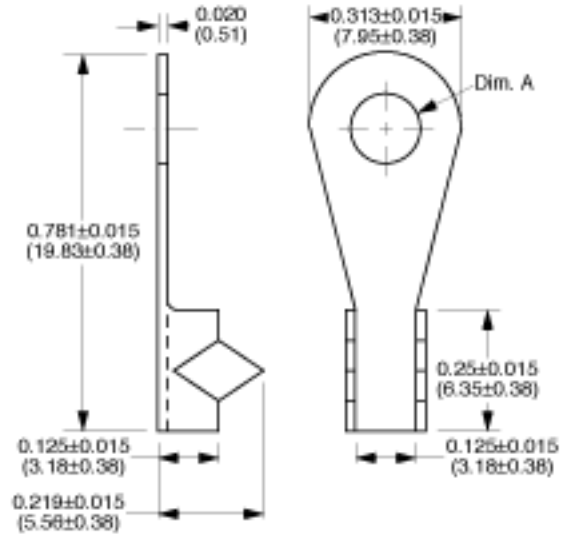
Part Number	Material Type	Finish Code	Inventory Type	Dim. 'A'	Terminal Style
629-187	C11000 Copper	0	Special	0.040" (1.02mm)	W/O Wire Loop
629-250	C11000 Copper	0	Special	0.040" (1.02mm)	W/O Wire Loop
629-281	C11000 Copper	0	Special	0.040" (1.02mm)	W/O Wire Loop

Part Number 5012-196-11



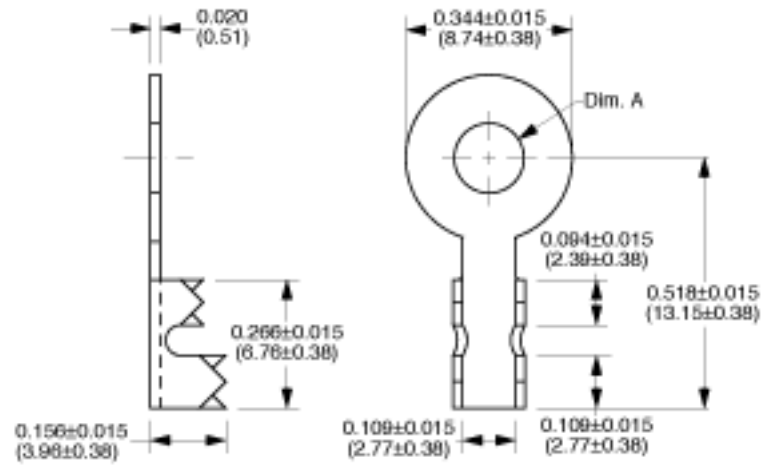
Part Number	Package Type	Material Type	Finish Code	Inventory Type	Dim. 'A'
5012-196-11	Reeled	C26000 Brass	11	Special	0.196" (4.98mm)

Part Numbers 18-xxx



Part Number	Material Type	Finish Code	Inventory Type	Dim. 'A'
18-120-1	C26000 Brass	1	Special	0.120" (3.05mm)
18-130	C26000 Brass	0	Special	0.130" (3.30mm)
18-144	C26000 Brass	0	Special	0.144" (3.66mm)

Part Numbers 28-xxx



Part Number	Package Type	Material Type	Finish Code	Inventory Type	Dim. 'A'
28-144	Loose	C26000 Brass	0	Special	0.144" (3.66mm)
28-169	Loose	C26000 Brass	0	Special	0.169" (4.29mm)
28-196	Loose	C26000 Brass	0	Special	0.196" (4.98mm)

Solder Terminals



[Flat](#)



[Long Stem](#)



[Angle](#)

Flat



Less than 0.600" (15.24 mm) long



0.600" (15.24 mm) - 0.850" (21.59 mm) long



Greater than 0.850" (21.59 mm) long

Less than 0.600" (15.24 mm) long



[Part Numbers 952-136 / MS 35431-14](#)



[Part Numbers 11A-xxx](#)



[Part Numbers 11-xxx](#)



[Part Number 11B-144](#)



[Part Number 542-093](#)



[Part Numbers 341-xxx](#)

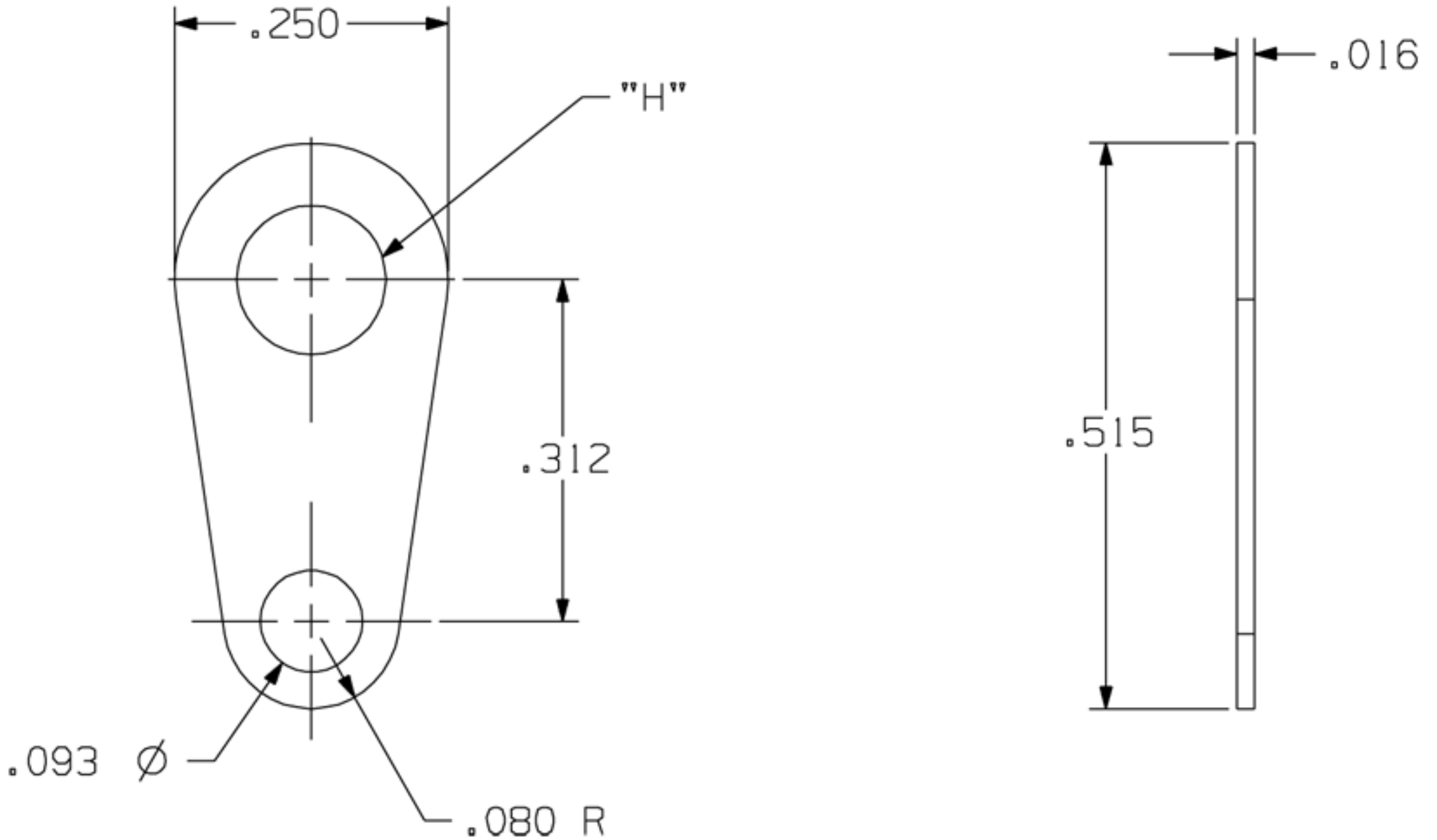


[Part Numbers 75-xxx](#)



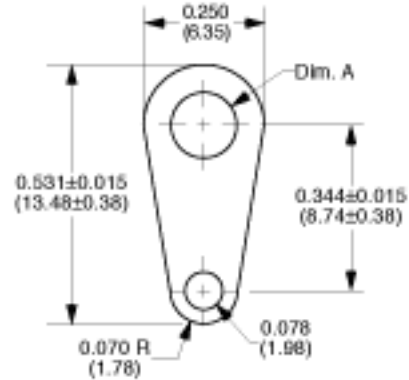
[Part Numbers 328-xxx](#)

Part Numbers 952-136 / MS 35431-14



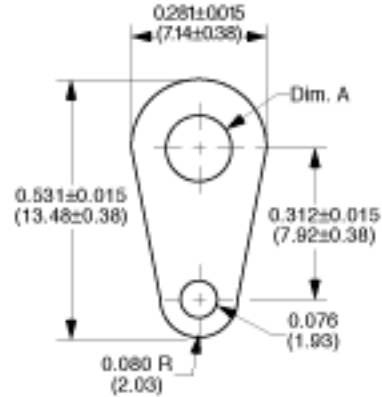
Part Number	Material Type	Finish Code	Inventory Type	Dim. 'A'
952-136	0.016" (0.41mm) C11000 Copper	0	Stock	0.136" (3.45mm)
MS 35431-14	0.016" (0.41mm) C11000 Copper	MS	Special	0.090/0.094" (2.29mm/2.39mm)

Part Numbers 11A-xxx



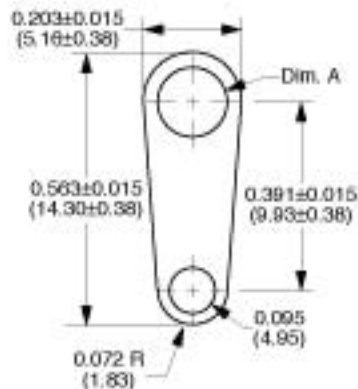
Part Number	Material Type	Finish Code	Inventory Type	Dim. 'A'
11A-093	0.016" (0.41mm) C11000 Copper	0	Special	0.093" (2.36mm)
11A-120	0.016" (0.41mm) C11000 Copper	0	Stock	0.120" (3.05mm)
11A-144	0.016" (0.41mm) C11000 Copper	0	Stock	0.144" (3.66mm)
11A-156	0.016" (0.41mm) C11000 Copper	0	Special	0.156" (3.96mm)
11A-169	0.016" (0.41mm) C11000 Copper	0	Special	0.169" (4.29mm)

Part Numbers 11-xxx



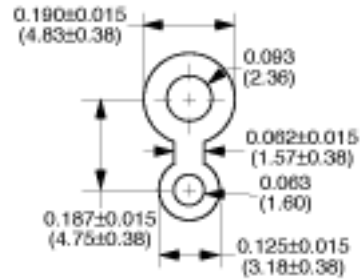
Part Number	Material Type	Finish Code	Inventory Type	Dim. 'A'
11-120	0.016" (0.41mm) C11000 Copper	0	Special	0.120" (3.05mm)
11-156	0.016" (0.41mm) C11000 Copper	0	Special	0.156" (3.96mm)
11-169	0.016" (0.41mm) C11000 Copper	0	Stock	0.169" (4.29mm)

Part Number 11B-144



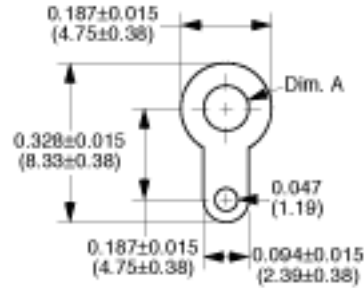
Part Number	Material Type	Finish Code	Inventory Type	Dim. 'A'
11B-144	0.016" (0.41mm) C11000 Copper	0	Special	0.144" (3.66mm)

Part Number 542-093



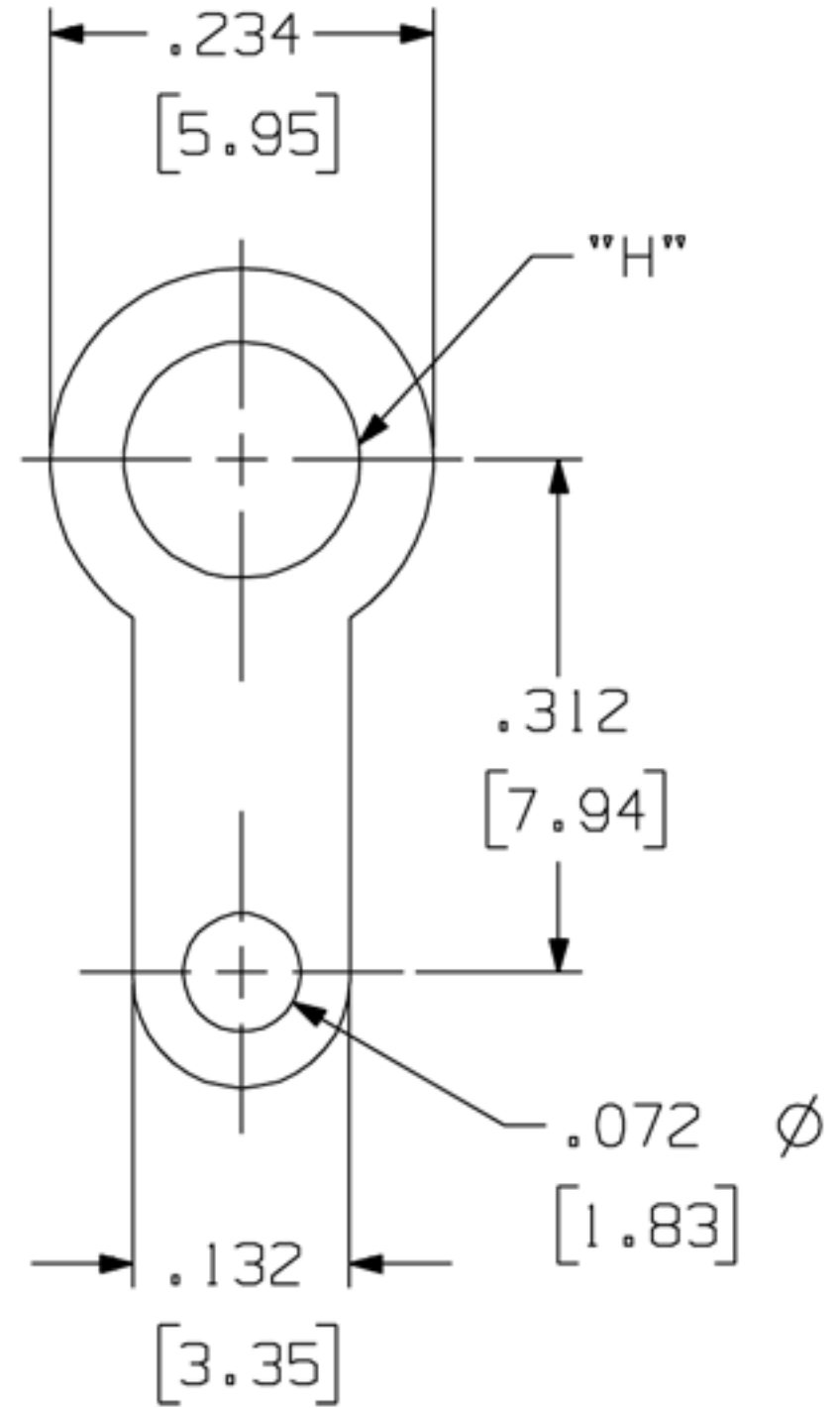
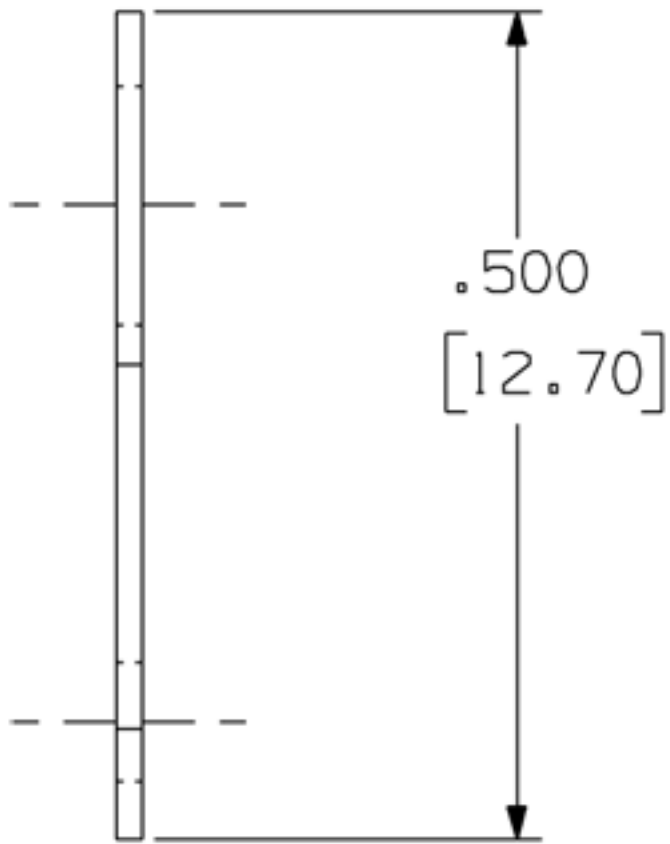
Part Number	Material Type	Finish Code	Inventory Type
542-093	0.016" (0.41mm) C11000 Copper	0	Stock

Part Numbers 341-xxx



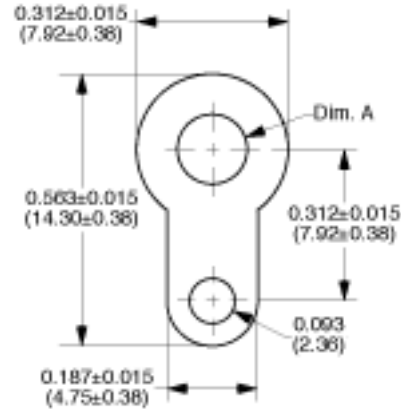
Part Number	Material Type	Finish Code	Inventory Type	Dim. 'A'
341-093	0.016" (0.41mm) C11000 Copper	0	Stock	0.093" (2.36mm)
341-120	0.016" (0.41mm) C11000 Copper	0	Stock	0.120" (3.05mm)
341-125	0.016" (0.41mm) C11000 Copper	0	Stock	0.125" (3.18mm)

Part Numbers 75-xxx



Part Number	Material Type	Finish Code	Inventory Type	Dim. 'A'
75-093	0.016" (0.41mm) C11000 Copper	0	Stock	0.093" (2.36mm)
75-100	0.016" (0.41mm) C11000 Copper	0	Stock	0.100" (2.54mm)
75-120	0.016" (0.41mm) C11000 Copper	0	Stock	0.120" (3.05mm)
75-130	0.016" (0.41mm) C11000 Copper	0	Stock	0.130" (3.30mm)
75-144	0.016" (0.41mm) C11000 Copper	0	Stock	0.144" (3.66mm)

Part Numbers 328-xxx



Part Number	Material Type	Finish Code	Inventory Type	Dim. 'A'
328-125	0.020" (0.51mm) C26000 Brass	0	Special	0.125" (3.18mm)
328-144	0.020" (0.51mm) C26000 Brass	0	Stock	0.144" (3.68mm)
328-156	0.020" (0.51mm) C26000 Brass	0	Special	0.156" (3.96mm)

0.600" (15.24 mm) - 0.850" (21.59 mm) long



[Part Numbers 7-xxx](#)



[Part Numbers 7A-xxx](#)



[Part Numbers 29A-xxx](#)



[Part Number 390-169](#)



[Part Numbers 9-xxx](#)



[Part Numbers 619-xxx](#)



[Part Numbers 2A-xxx](#)

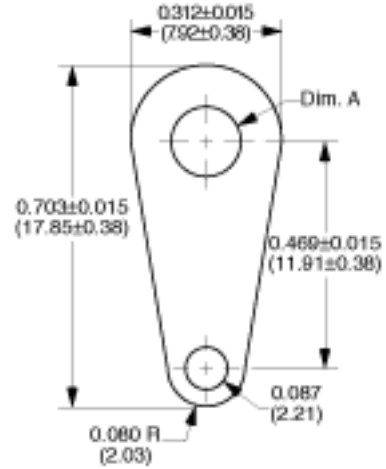


[Part Numbers 29-xxx / MS 35431-9](#)



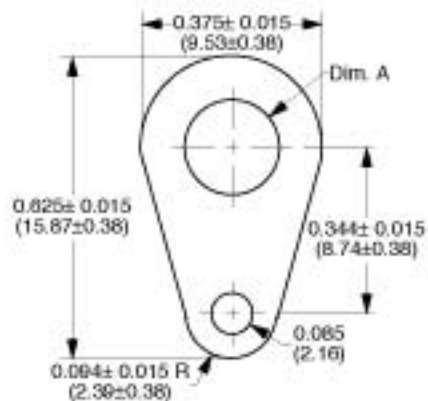
[Part Numbers MS 35431-x](#)

Part Numbers 7-xxx



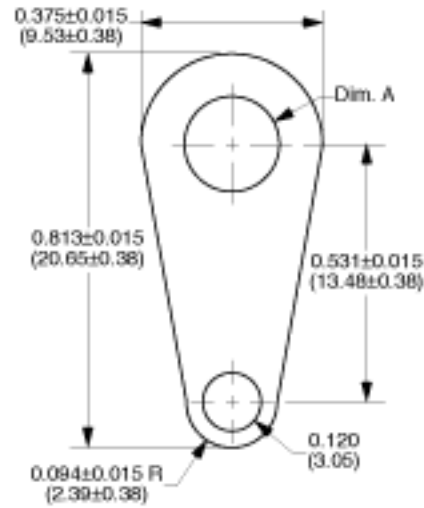
Part Number	Material Type	Finish Code	Inventory Type	Dim. 'A'
7-120	0.016" (0.41mm) C11000 Copper	0	Special	0.120" (3.05mm)
7-144	0.016" (0.41mm) C11000 Copper	0	Stock	0.144" (3.66mm)
7-169	0.016" (0.41mm) C11000 Copper	0	Special	0.169" (4.29mm)
7-196	0.016" (0.41mm) C11000 Copper	0	Stock	0.196" (4.98mm)

Part Numbers 7A-xxx



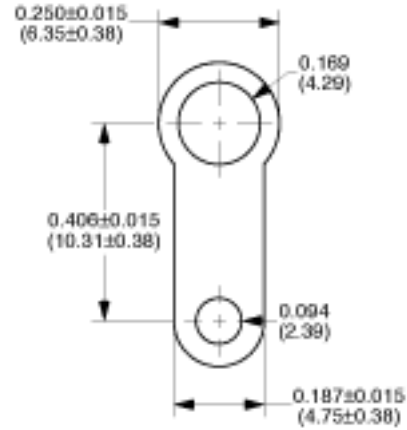
Part Number	Material Type	Finish Code	Inventory Type	Dim. 'A'
7A-196	0.016" (0.41mm) C11000 Copper	0	Stock	0.196" (4.98mm)
7A-225	0.016" (0.41mm) C11000 Copper	0	Stock	0.225" (5.72mm)
7A-250	0.016" (0.41mm) C11000 Copper	0	Stock	0.250" (6.35mm)

Part Numbers 29A-xxx



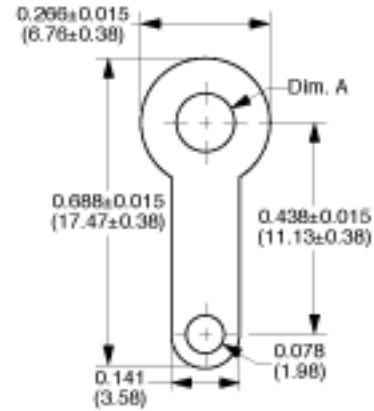
Part Number	Material Type	Finish Code	Inventory Type	Dim. 'A'
29A-187	0.016" (0.41mm) C11000 Copper	0	Stock	0.187" (4.75mm)
29A-196	0.016" (0.41mm) C11000 Copper	0	Stock	0.196" (4.98mm)
29A-250	0.016" (0.41mm) C11000 Copper	0	Stock	0.250" (6.35mm)

Part Number 390-169

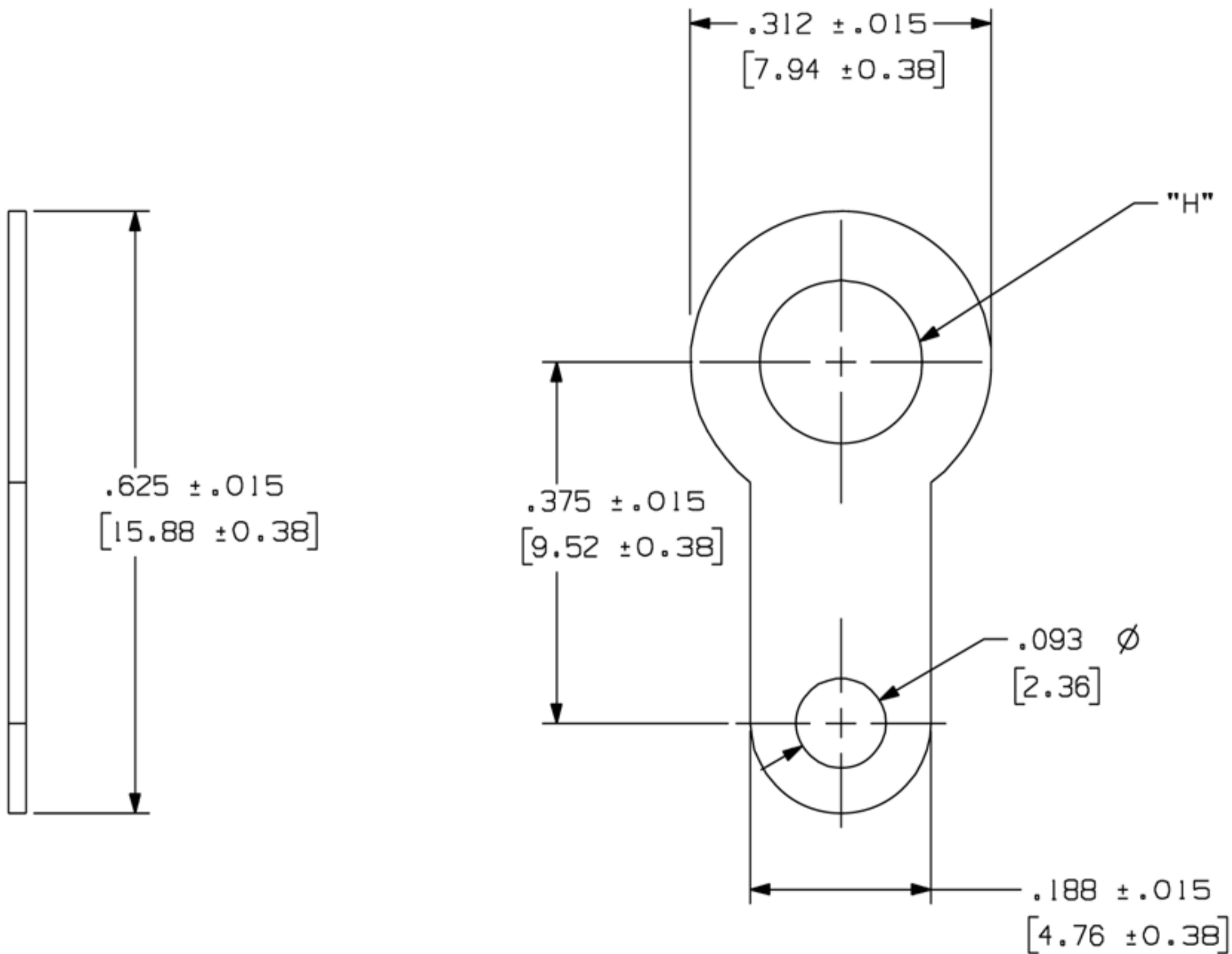


Part Number	Material Type	Finish Code	Inventory Type
390-169	0.016" (0.41mm) C11000 Copper	0	Stock

Part Number 9-144

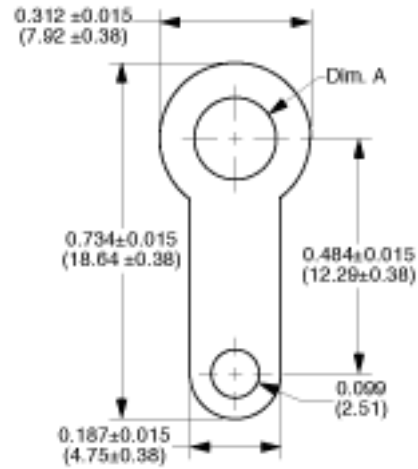


Part Number	Material Type	Finish Code	Inventory Type	Dim. 'A'
9-144	0.020" (0.51mm) C26000 Brass	0	Stock	0.144" (3.66mm)



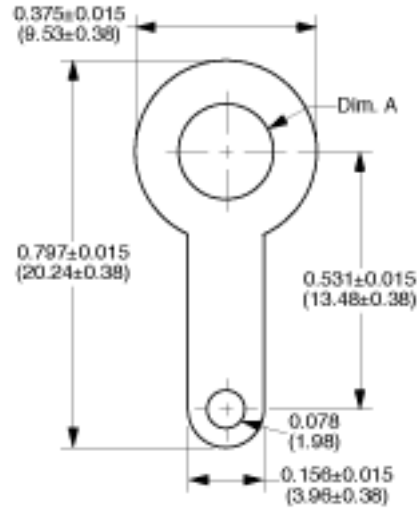
Part Number	Material Type	Finish Code	Inventory Type	Dim. 'A'
619-120	0.018" (0.46mm) C11000 Copper	0	Special	0.120" (3.66mm)
619-144	0.018" (0.46mm) C11000 Copper	0	Special	0.144" (3.66mm)
619-169	0.018" (0.46mm) C11000 Copper	0	Special	0.169" (4.29mm)
619-196	0.018" (0.46mm) C11000 Copper	0	Special	0.196" (4.98mm)

Part Numbers 2A-xxx

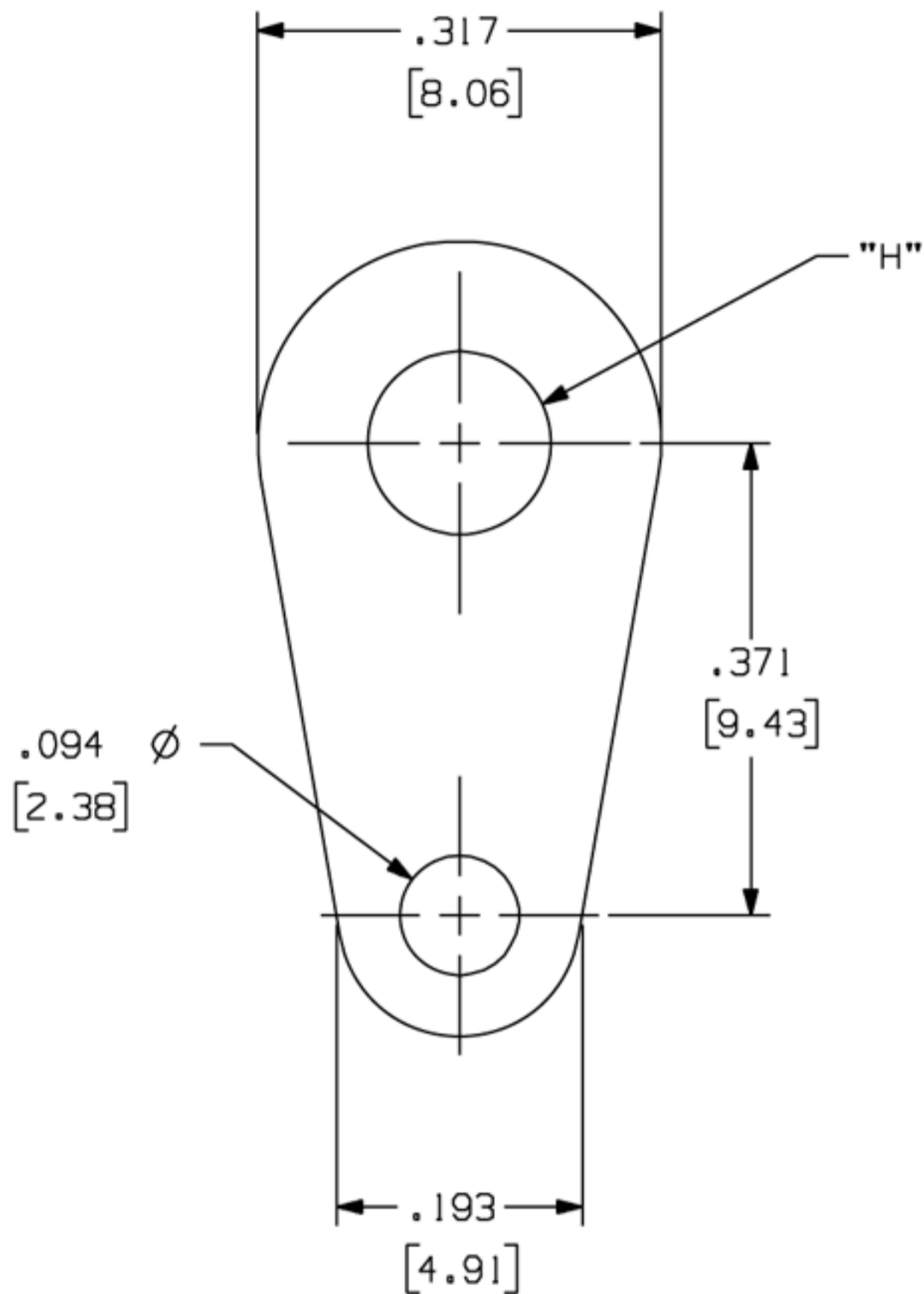
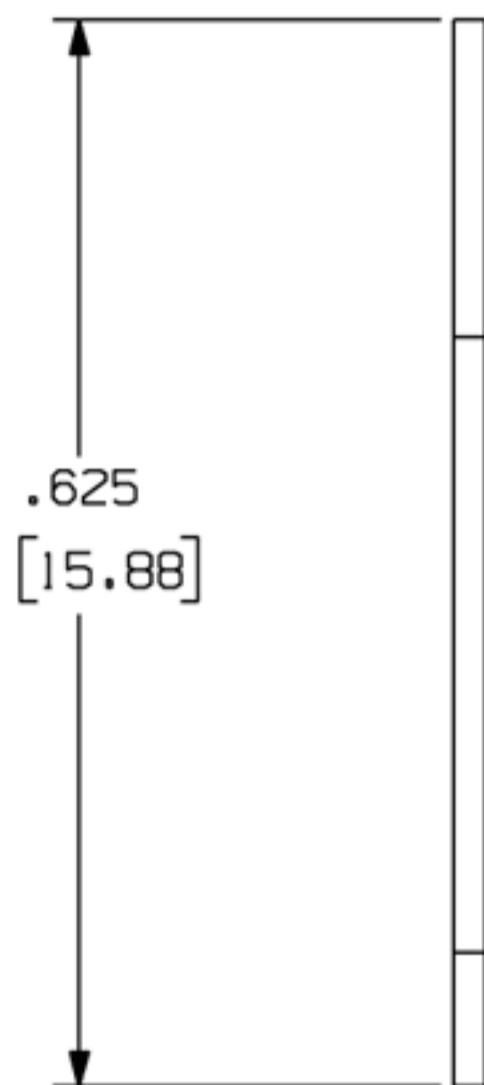


Part Number	Material Type	Finish Code	Inventory Type	Dim. 'A'
2A-169	0.016" (0.41mm) C11000 Copper	0	Stock	0.169" (4.29mm)
2A-196	0.016" (0.41mm) C11000 Copper	0	Stock	0.196" (4.98mm)

Part Numbers 29-xxx / MS 35431-9



Part Number	Material Type	Finish Code	Inventory Type	Dim. 'A'
29-196	0.020" (0.51mm) C26000 Brass	0	Stock	0.196" (4.98mm)
29-250	0.020" (0.51mm) C26000 Brass	0	Stock	0.250" (6.35mm)
MS 35431-9	0.020" (0.51mm) C11000 Copper	MS	Stock	0.260" (6.60mm)



Part Number	Material Type	Finish Code	Inventory Type	Dim. 'A'
MS 35431-1	0.018" (0.46mm) C11000 Copper	MS	Stock	0.115"/0.127" (2.92mm/3.23mm)
MS 35431-3	0.018" (0.46mm) C11000 Copper	MS	Stock	0.141"/0.153" (3.58mm/3.89mm)
MS 35431-5	0.018" (0.46mm) C11000 Copper	MS	Stock	0.167"/0.127" (4.24mm/4.55mm)
MS 35431-7	0.018" (0.46mm) C11000 Copper	MS	Stock	0.193"/0.127" (4.90mm/5.21mm)

Greater than 0.850" (21.59 mm) long



[Part Numbers 80-315 / MS 35431-10](#)



[Part Numbers 141-xxx](#)



[Part Numbers 355-xxx](#)



[Part Numbers 329-xxx](#)



[Part Numbers 389-xxx](#)



[Part Numbers 46-xxx](#)



[Part Number 405-144](#)



[Part Number 520-196](#)



[Part Numbers 558-xxx](#)



[Part Number 379-510](#)

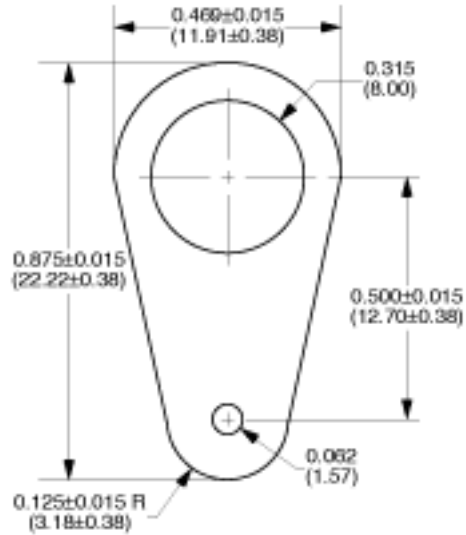


[Part Number 891-510](#)



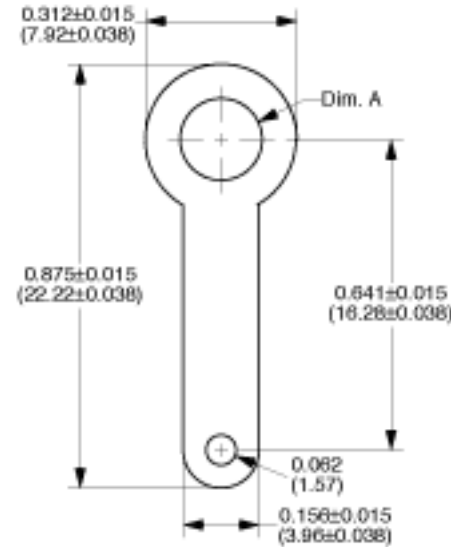
[Part Number 571-257](#)

Part Numbers 80-315 / MS 35431-10



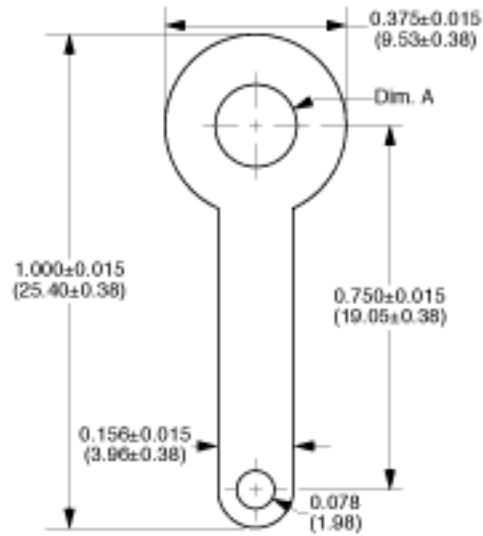
Part Number	Material Type	Finish Code	Inventory Type
80-315	0.020" (0.51mm) C11000 Copper	0	Stock
MS 35431-10	0.020" (0.51mm) C11000 Copper	MS	Special

Part Numbers 141-xxx



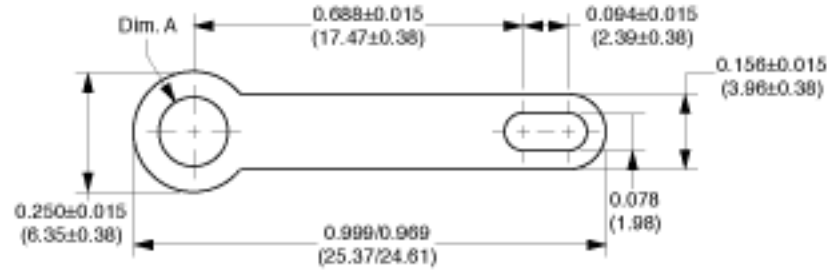
Part Number	Material Type	Finish Code	Inventory Type	Dim. 'A'
141-144	0.020" (0.51mm) C26000 Brass	0	Stock	0.144" (3.66mm)
141-169	0.020" (0.51mm) C26000 Brass	0	Stock	0.169" (4.29mm)
141-196	0.020" (0.51mm) C26000 Brass	0	Stock	0.196" (4.98mm)

Part Numbers 355-xxx



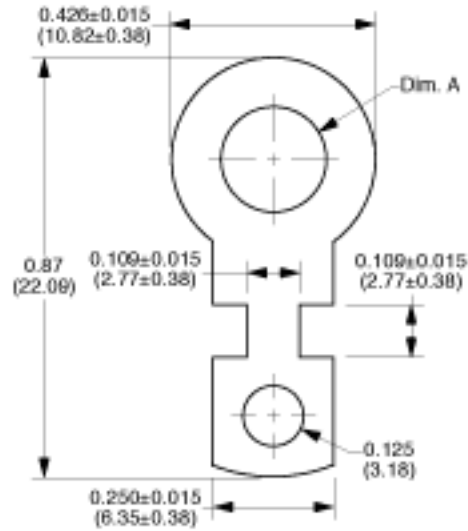
Part Number	Material Type	Finish Code	Inventory Type	Dim. 'A'
355-136	0.020" (0.51mm) C26000 Brass	0	Special	0.136" (3.45mm)
355-169	0.020" (0.51mm) C26000 Brass	0	Special	0.169" (4.29mm)
355-250	0.020" (0.51mm) C26000 Brass	0	Stock	0.250" (6.35mm)

Part Numbers 329-xxx



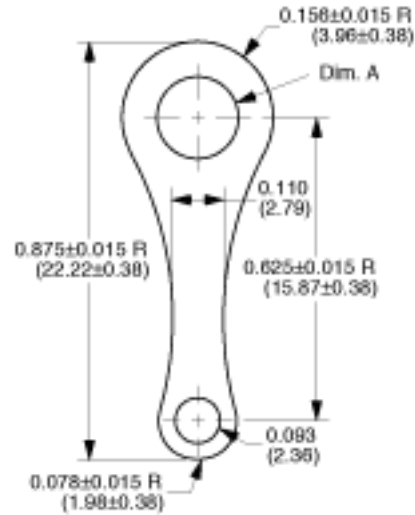
Part Number	Material Type	Finish Code	Inventory Type	Dim. 'A'
329-125	0.032" (0.81mm) C26000 Brass	0	Stock	0.125" (3.18mm)
329-144	0.032" (0.81mm) C26000 Brass	0	Special	0.144" (3.66mm)

Part Numbers 389-xxx



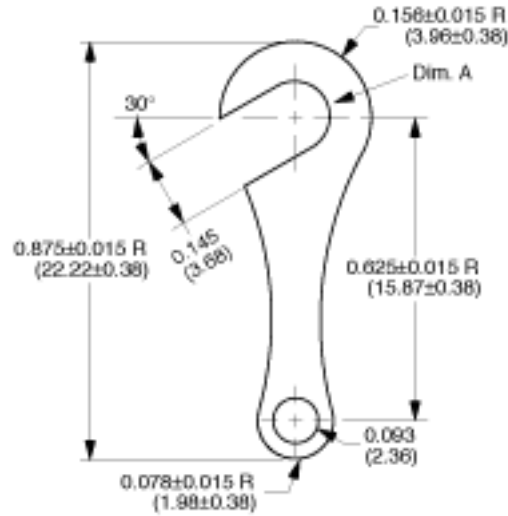
Part Number	Material Type	Finish Code	Inventory Type	Dim. 'A'
389-156	0.032" (0.81mm) C26000 Brass	0	Special	0.156" (3.96mm)
389-218	0.032" (0.81mm) C26000 Brass	0	Stock	0.218" (5.54mm)

Part Numbers 46-xxx



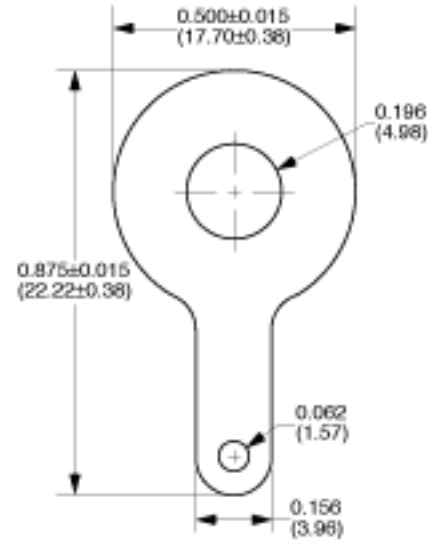
Part Number	Material Type	Finish Code	Inventory Type	Dim. 'A'
46-120	0.020" (0.51mm) C26000 Brass	0	Stock	0.120" (3.05mm)
46-144	0.020" (0.51mm) C26000 Brass	0	Stock	0.144" (3.66mm)
46-169	0.020" (0.51mm) C26000 Brass	0	Stock	0.169" (4.29mm)
46-196	0.020" (0.51mm) C26000 Brass	0	Stock	0.196" (4.98mm)

Part Number 405-144



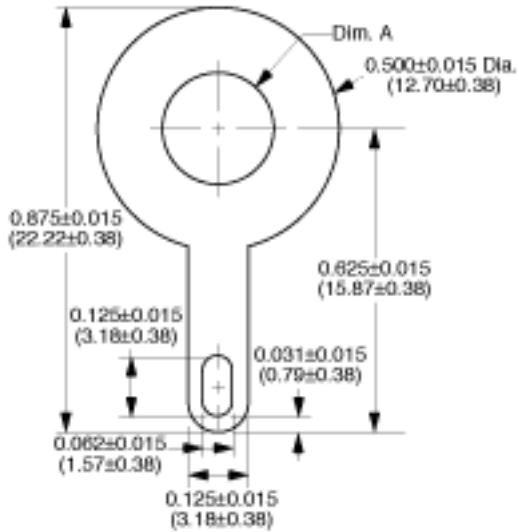
Part Number	Material Type	Finish Code	Inventory Type
405-144	0.020" (0.51mm) C11000 Copper	0	Stock

Part Number 520-196



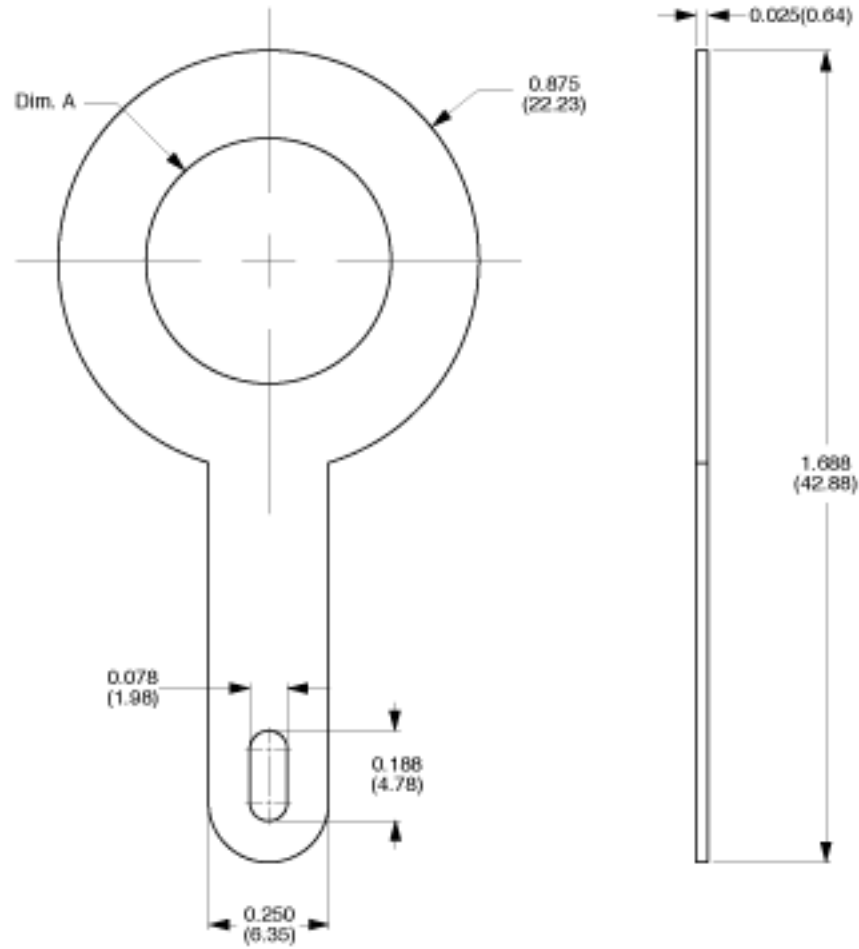
Part Number	Material Type	Finish Code	Inventory Type
520-196	0.011" (0.28mm) C26000 Brass	0	Stock

Part Numbers 558-xxx



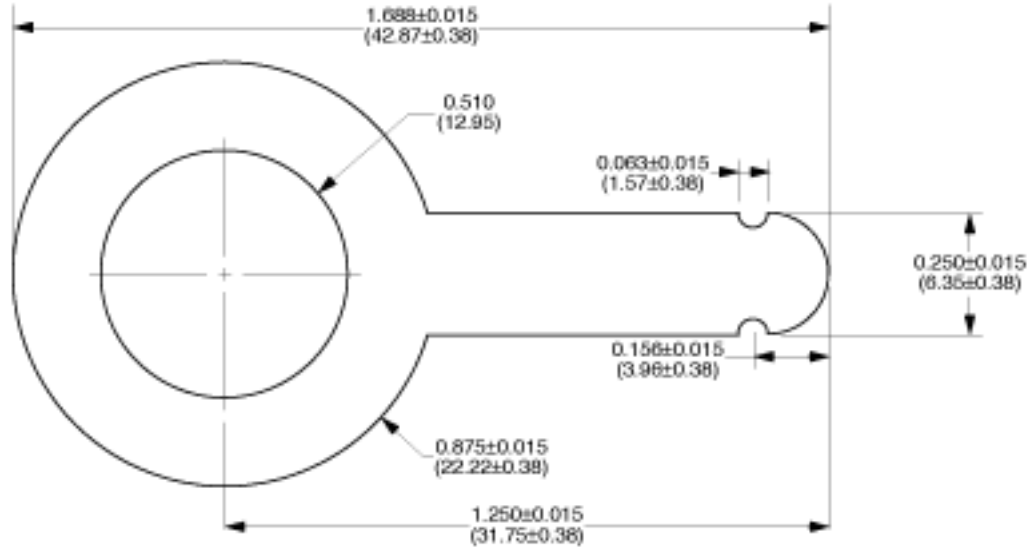
Part Number	Material Type	Finish Code	Inventory Type	Dim. 'A'
558-230	0.032" (0.81mm) Steel	13	Special	0.230" (5.84mm)
558-257	0.032" (0.81mm) Steel	13	Stock	0.257" (6.53mm)
558-340	0.032" (0.81mm) Steel	13	Special	0.340" (8.64mm)
558-380	0.032" (0.81mm) Steel	13	Stock	0.380" (9.65mm)

Part Number 379-510



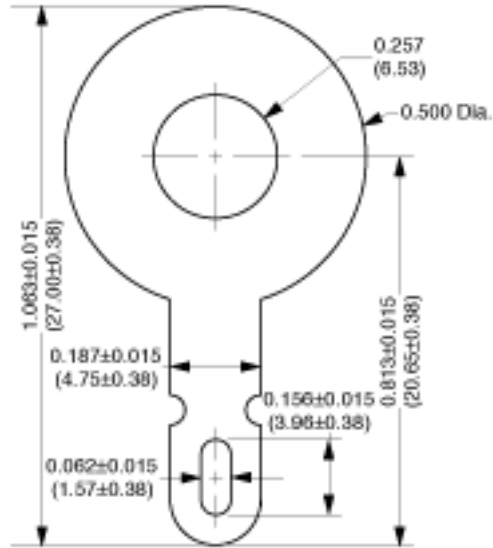
Part Number	Material Type	Finish Code	Inventory Type	Dim. 'A'
379-510	C11000 Copper	0	Stock	.510" (12.95mm)

Part Number 891-510



Part Number	Material Type	Finish Code	Inventory Type
891-510	0.020" (0.51mm) C26000 Brass	0	Stock

Part Number 571-257

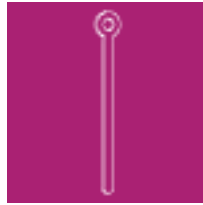


Part Number	Material Type	Finish Code	Inventory Type
571-257	Steel	13	Stock

Long Stem



[Part Number 414-113](#)



[Part Number 263-093](#)



[Part Number 598-093](#)



[Part Number 680-130](#)



[Part Numbers 342-xxx](#)



[Part Numbers 694-xxx](#)



[Part Numbers 20-xxx](#)



[Part Numbers 693-xxx](#)

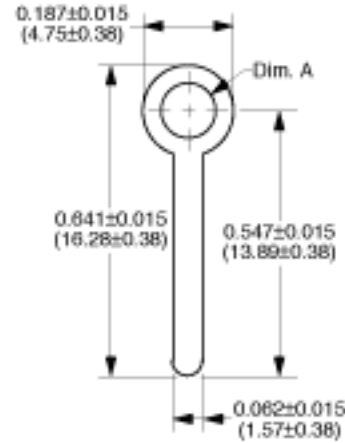


[Part Number 344-120](#)



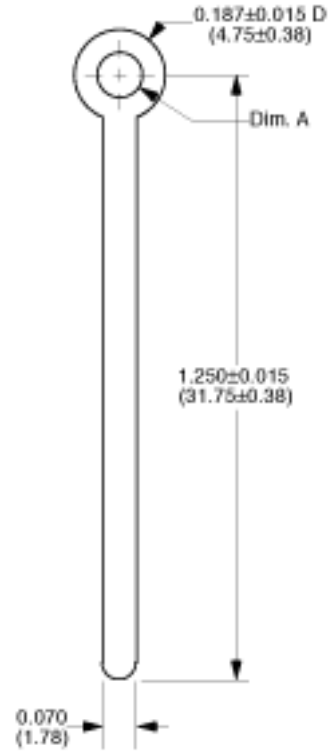
[Part Numbers 334-xxx](#)

Part Number 414-113



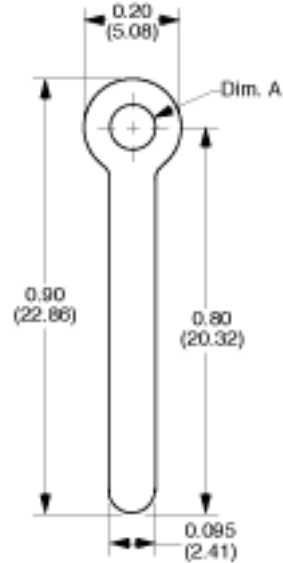
Part Number	Material Type	Finish Code	Inventory Type	Dim. 'A'
414-113	0.020" (0.51mm) C11000 Copper	0	Stock	0.113" (2.87mm)

Part Number 263-093



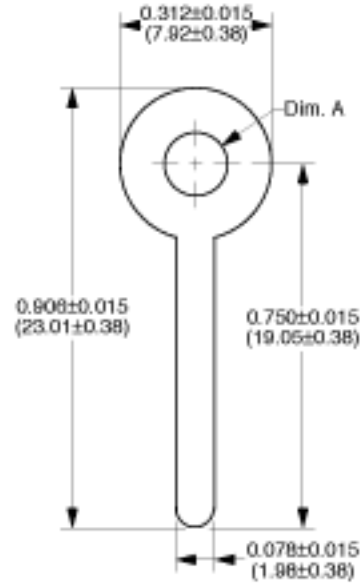
Part Number	Material Type	Finish Code	Inventory Type	Dim. 'A'
263-093	0.020" (0.51mm) C11000 Copper	11	Stock	0.093" (2.36mm)

Part Number 598-093



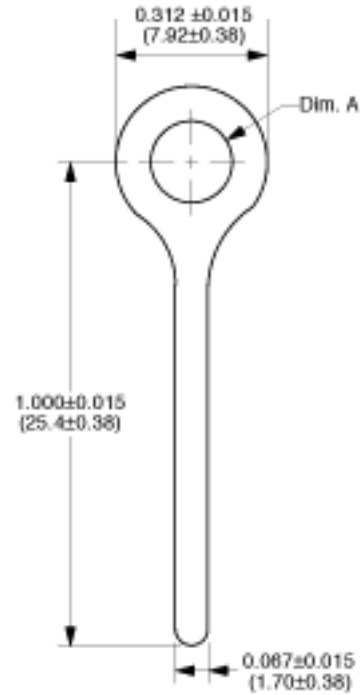
Part Number	Material Type	Finish Code	Inventory Type	Dim. 'A'
598-093	0.020" (0.51mm) C11000 Copper	0	Special	0.093" (2.36mm)

Part Number 680-130



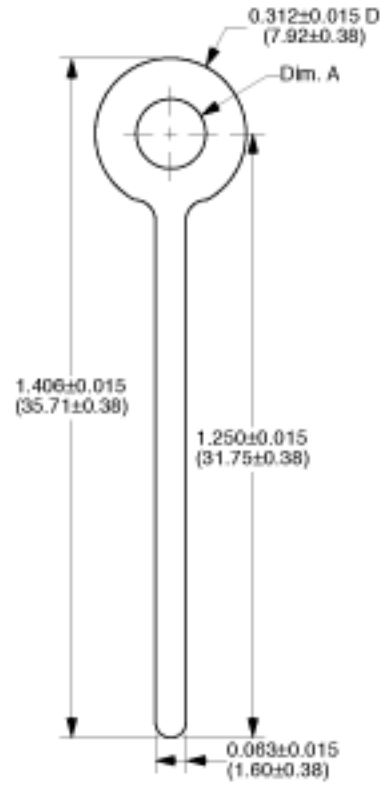
Part Number	Material Type	Finish Code	Inventory Type	Dim. 'A'
680-130	0.020" (0.51mm) C26000 Brass	0	Stock	0.130" (3.30mm)

Part Numbers 342-xxx



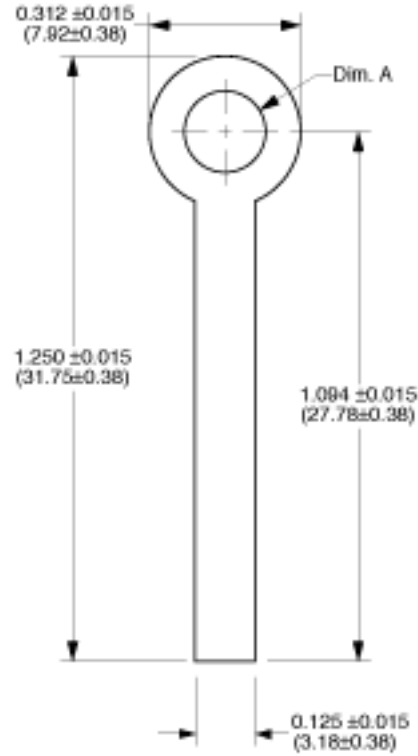
Part Number	Material Type	Finish Code	Inventory Type	Dim. 'A'
342-130	0.020" (0.51mm) C26000 Brass	0	Stock	0.130" (3.30mm)
342-168	0.020" (0.51mm) C26000 Brass	0	Stock	0.168" (4.27mm)

Part Numbers 694-xxx



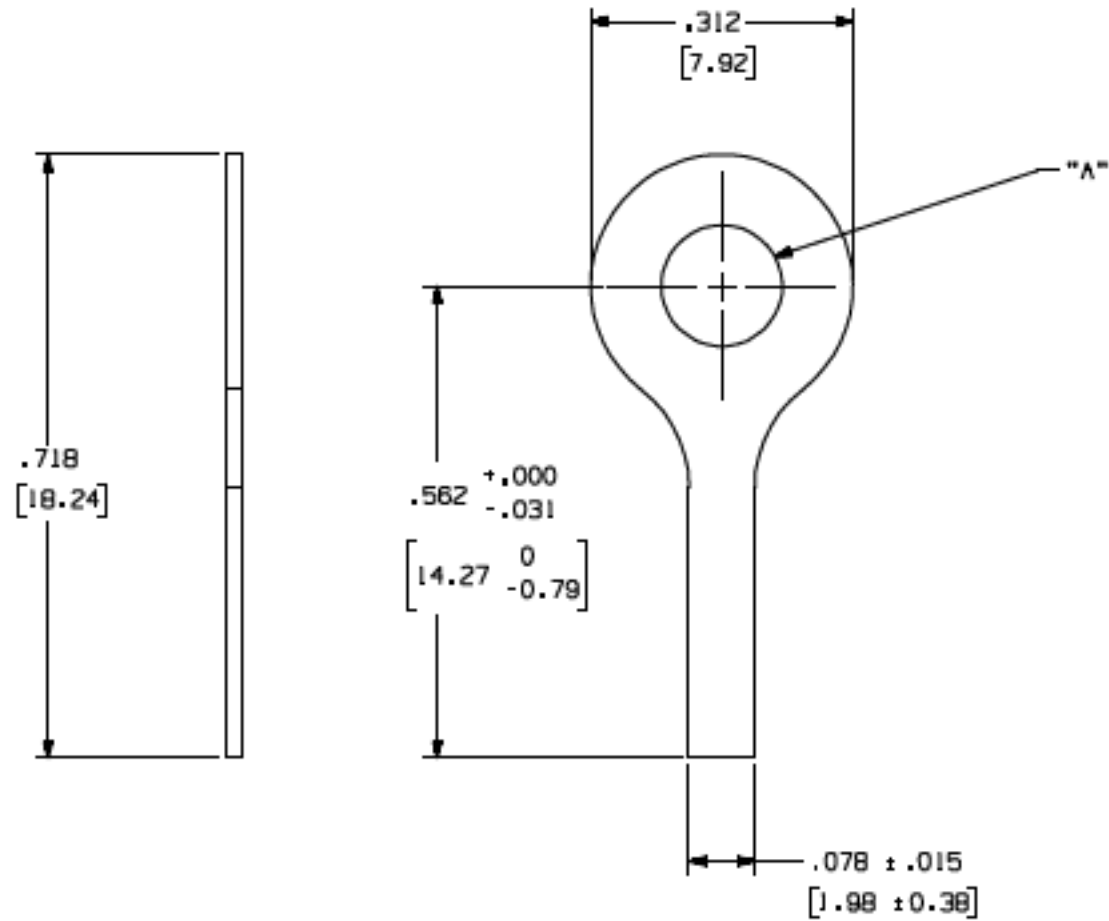
Part Number	Material Type	Finish Code	Inventory Type	Dim. 'A'
694-144	0.020" (0.51mm) C26000 Brass	0	Stock	0.144" (3.66mm)
694-169	0.020" (0.51mm) C26000 Brass	0	Special	0.169" (4.29mm)

Part Numbers 20-xxx



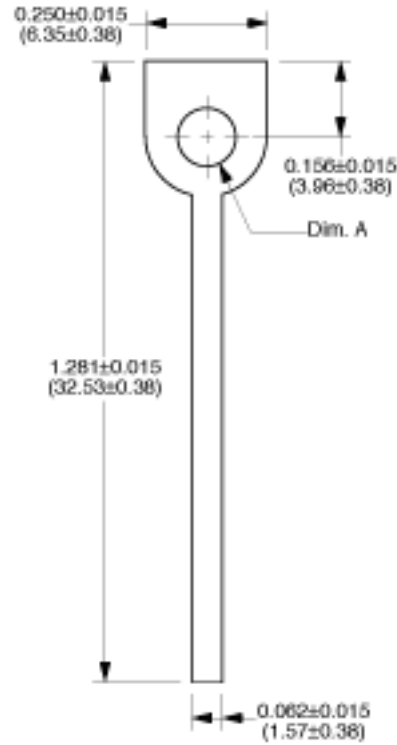
Part Number	Material Type	Finish Code	Inventory Type	Dim. 'A'
20-144	0.020" (0.51mm) C26000 Brass	0	Stock	0.144" (3.66mm)
20-169	0.020" (0.51mm) C26000 Brass	0	Stock	0.169" (4.29mm)
20-196	0.020" (0.51mm) C26000 Brass	0	Stock	0.196" (4.98mm)

Part Numbers 693-xxx



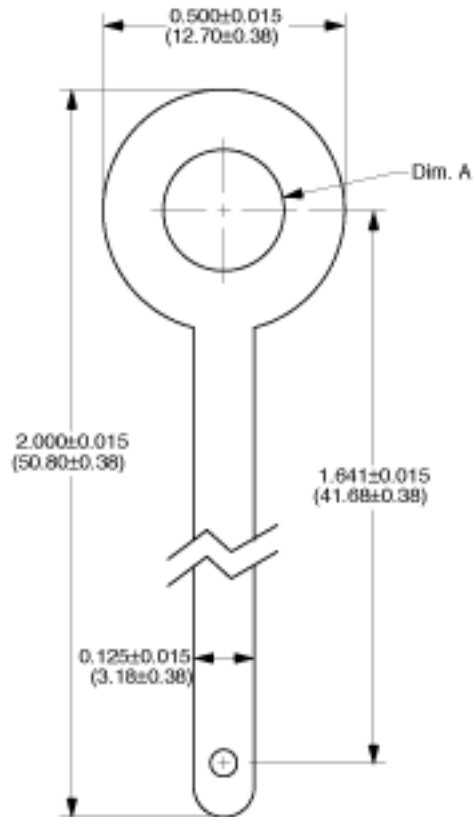
Part Number	Material Type	Finish Code	Inventory Type	Dim. 'A'
693-130	0.020" (0.51mm) C26000 Brass	0	Stock	0.130" (3.30mm)
693-144	0.020" (0.51mm) C26000 Brass	0	Stock	0.144" (3.66mm)

Part Number 344-120



Part Number	Material Type	Finish Code	Inventory Type	Dim. 'A'
344-120	0.016" (0.41mm) C26000 Brass	0	Special	0.120" (3.05mm)

Part Numbers 334-xxx



Part Number	Material Type	Finish Code	Inventory Type	Dim. 'A'
334-250	0.020" (0.51mm) C11000 Copper	0	Stock	0.250" (6.35mm)
334-375	0.020" (0.51mm) C11000 Copper	0	Stock	0.375" (9.53mm)

Angle



[Part Number 416-093](#)



[Part Number 401-120](#)



[Part Number 417-144](#)



[Part Numbers 349-xxx](#)



[Part Number 324-156](#)



[Part Number 376-218](#)



[Part Number 403-138](#)



[Part Numbers 574-130 / 574-130-1](#)



[Part Numbers 333-xxx](#)



[Part Numbers 322-xxx](#)



[Part Numbers 626-xxx](#)



[Part Number 110-250](#)



[Part Numbers 115-xxx](#)

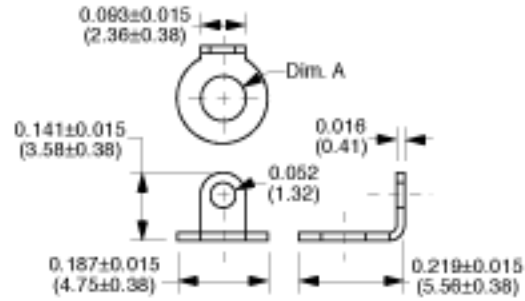


[Part Numbers 147-xxx](#)



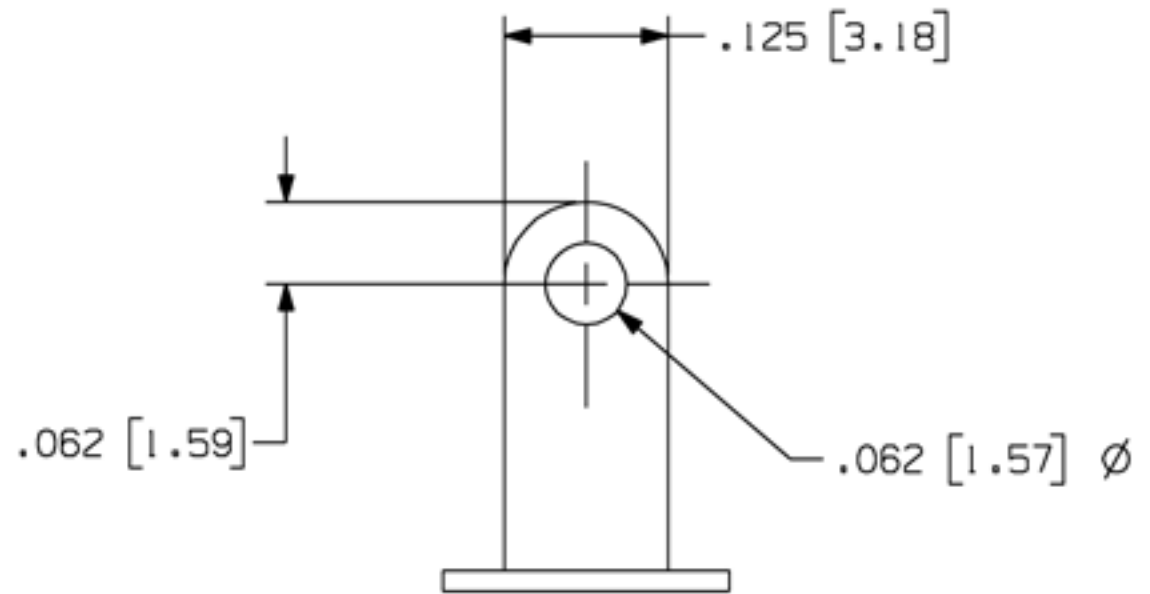
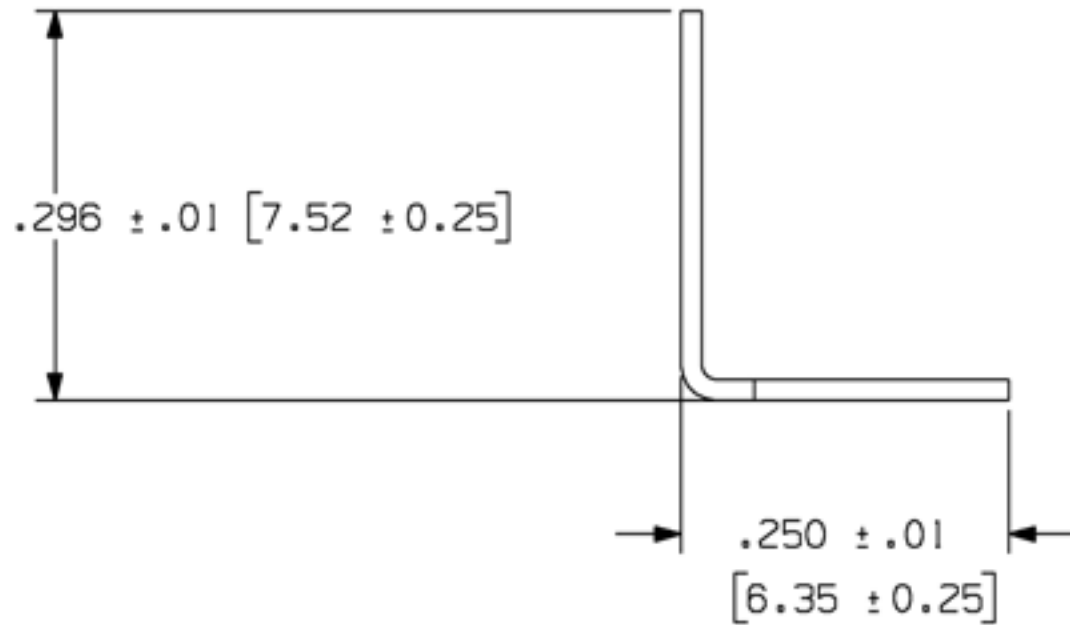
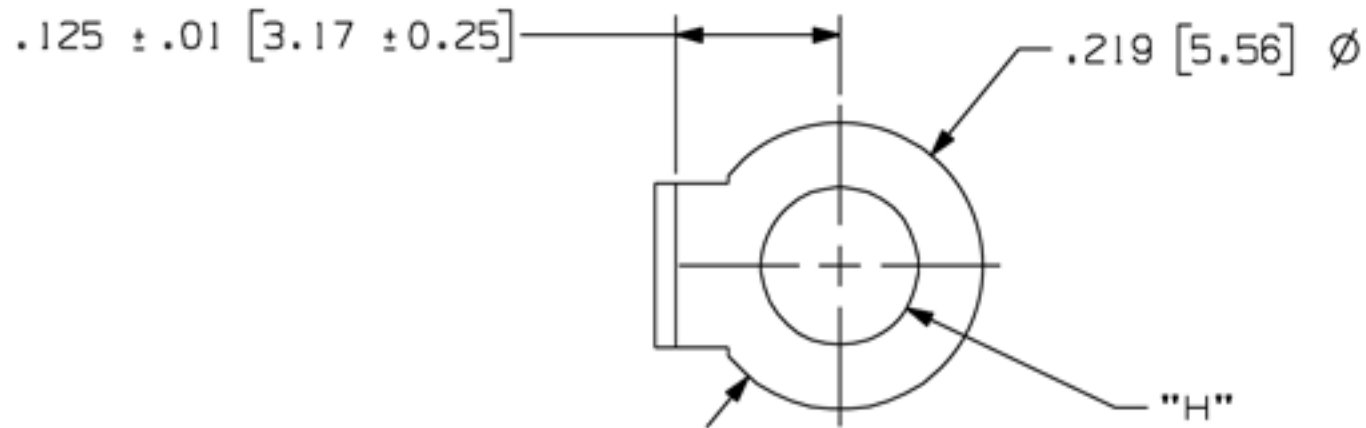
[Part Numbers 597-120](#)

Part Number 416-093



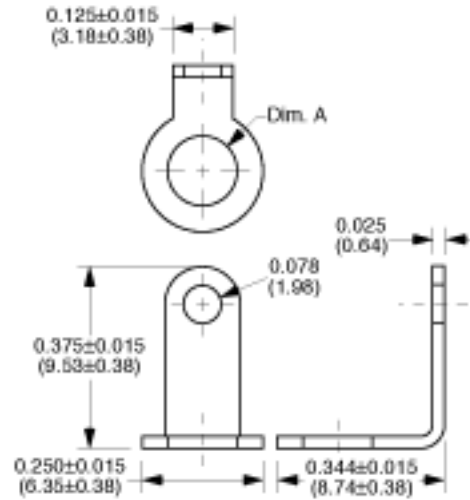
Part Number	Material Type	Finish Code	Inventory Type	Dim. 'A'
416-093	C11000 Copper	0	Stock	0.093" (2.36mm)

Part Number 401-120



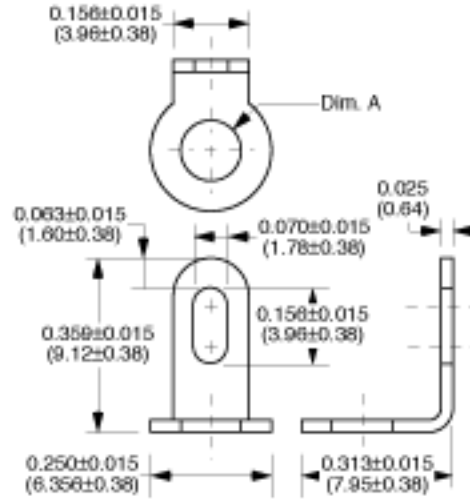
Part Number	Material Type	Finish Code	Inventory Type	Dim. 'A'
401-120	C26000 Brass	0	Stock	0.120" (3.05mm)

Part Number 417-144



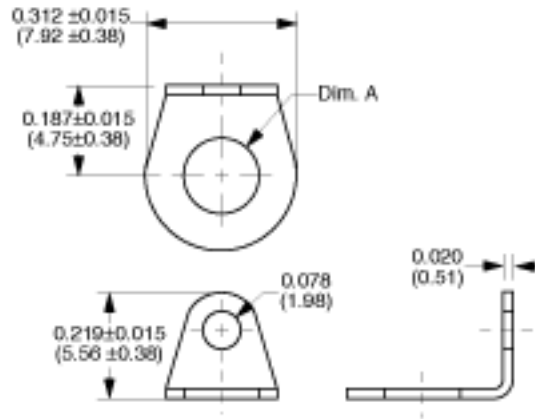
Part Number	Material Type	Finish Code	Inventory Type	Dim. 'A'
417-144	C26000 Brass	0	Stock	0.144" (3.66mm)

Part Numbers 349-xxx



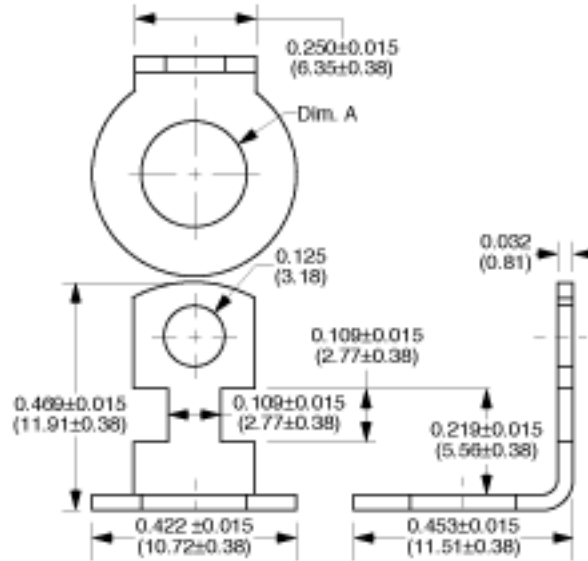
Part Number	Material Type	Finish Code	Inventory Type	Dim. 'A'
349-125	C26000 Brass	0	Stock	0.125" (3.18mm)
349-144	C26000 Brass	0	Stock	0.144" (3.66mm)

Part Number 324-156



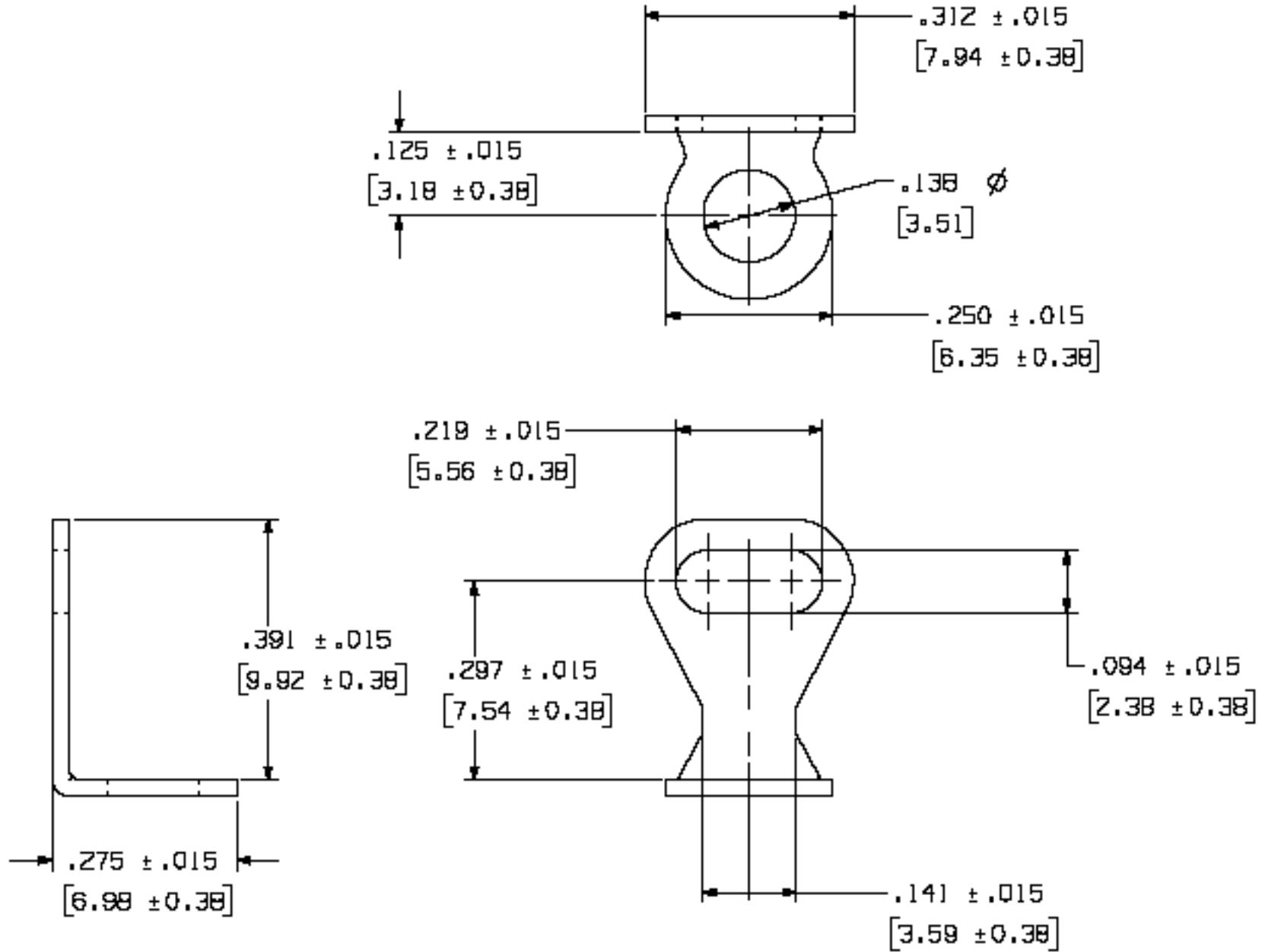
Part Number	Material Type	Finish Code	Inventory Type	Dim. 'A'
324-156	C26000 Brass	0	Stock	0.156" (3.95mm)

Part Number 376-218



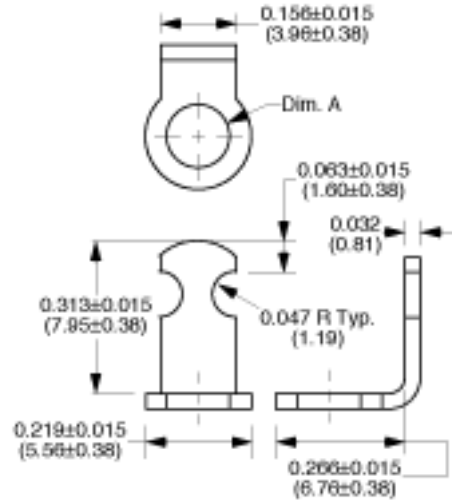
Part Number	Material Type	Finish Code	Inventory Type	Dim. 'A'
376-218	C26000 Brass	0	Stock	0.218" (5.54mm)

Part Number 403-138



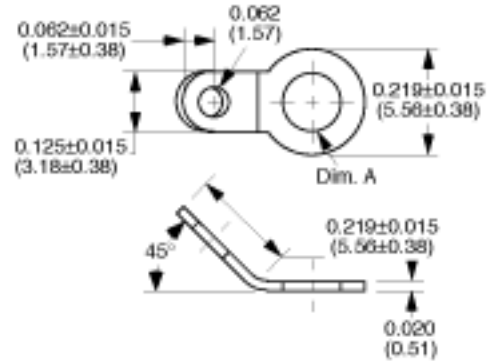
Part Number	Material Type	Finish Code	Inventory Type
403-138	C26000 Brass	0	Special

Part Numbers 574-130 / 574-130-1



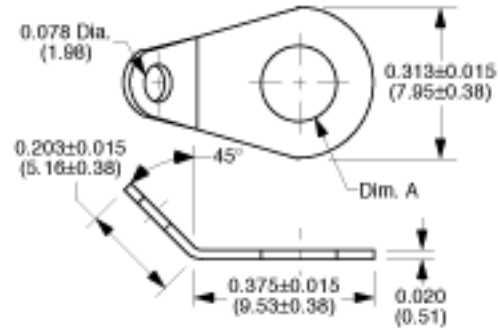
Part Number	Material Type	Finish Code	Inventory Type	Dim. 'A'
574-130	C26000 Brass	0	Stock	0.130" (3.30mm)
574-130-1	C26000 Brass	1	Stock	0.130" (3.30mm)

Part Numbers 333-xxx



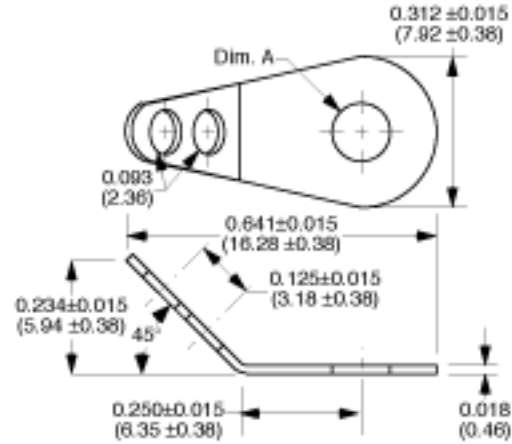
Part Number	Material Type	Finish Code	Inventory Type	Dim. 'A'
333-100	C26000 Brass	0	Stock	0.100" (2.54mm)
333-120	C26000 Brass	0	Stock	0.120" (3.05mm)

Part Numbers 322-xxx



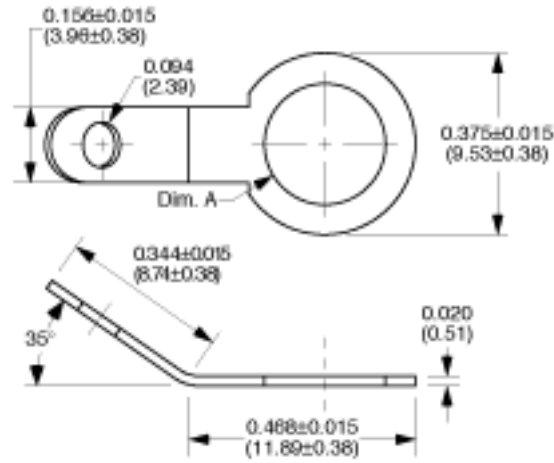
Part Number	Material Type	Finish Code	Inventory Type	Dim. 'A'
322-144	C26000 Brass	0	Stock	0.144" (3.66mm)
322-156	C26000 Brass	0	Stock	0.156" (3.96mm)

Part Numbers 626-xxx



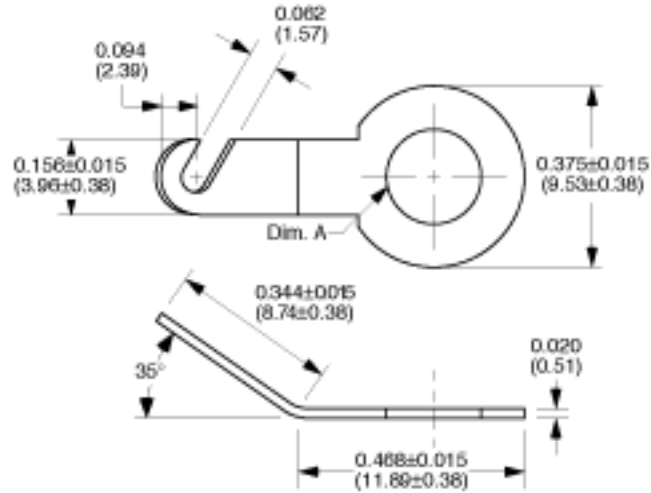
Part Number	Material Type	Finish Code	Inventory Type	Dim. 'A'
626-144	Bronze	0	Stock	0.144" (3.66mm)
626-196	Bronze	0	Stock	0.196" (4.98mm)

Part Number 110-250



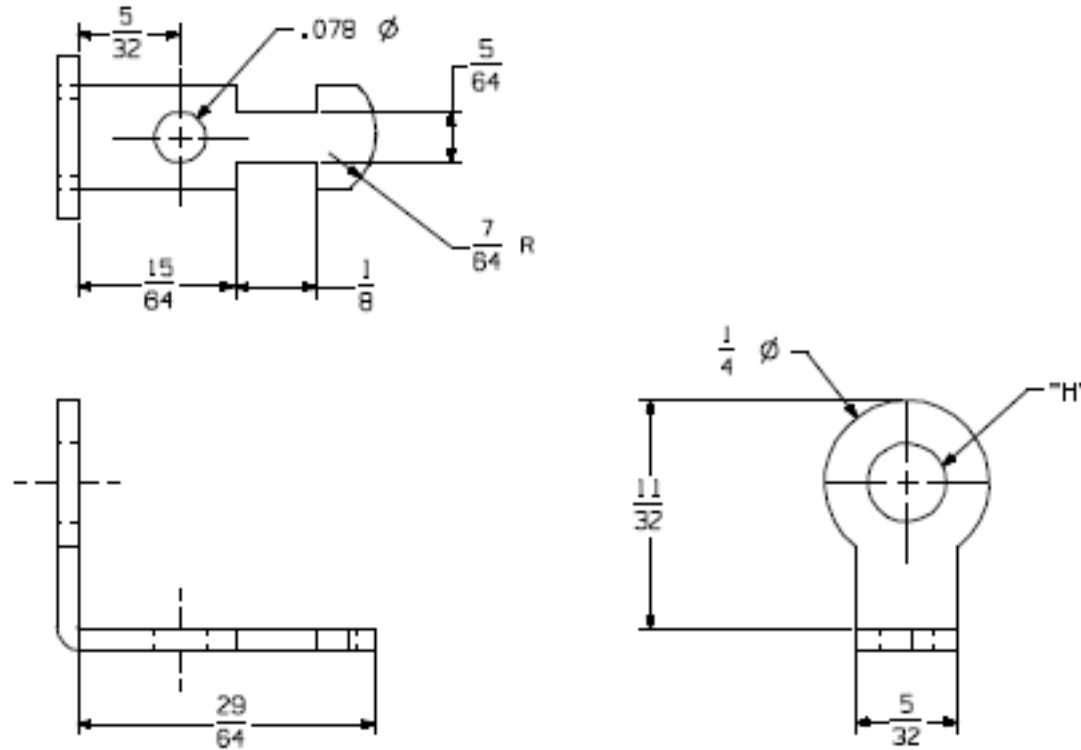
Part Number	Material Type	Finish Code	Inventory Type	Dim. 'A'
110-250	C26000 Brass	0	Stock	0.250" (6.35mm)

Part Numbers 115-xxx



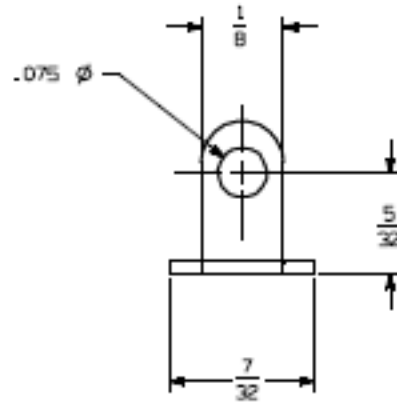
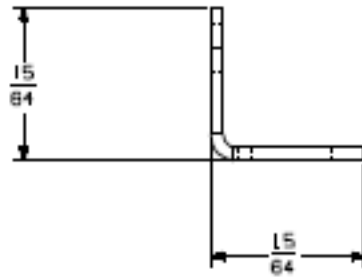
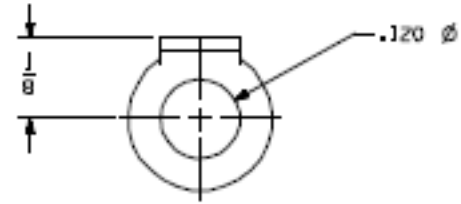
Part Number	Material Type	Finish Code	Inventory Type	Dim. 'A'
115-196	C26000 Brass	0	Stock	0.196" (4.98mm)
115-250	C26000 Brass	0	Stock	0.250" (6.35mm)

Part Numbers 147-xxx



Part Number	"H"	Material	Finish
147-120	.120	.032 C26000 Brass	Matte Tin
147-136	.136	.032 C26000 Brass	Matte Tin
147-144	.144	.032 C26000 Brass	Matte Tin
147-169	.169	.032 C26000 Brass	Matte Tin

Part Number 597-120



Part Number	Material	Finish
597-120	.020 C26000 Brass	0

Solder Lug Terminals



[Eyelet](#)



[Flat](#)



[Long Stem](#)



[Angle](#)



[Jumper](#)

Eyelet



[Part Number 148](#)



[Part Number 421](#)



[Part Number 941](#)



[Part Number 190](#)



[Part Number 975](#)



[Part Number 332](#)



[Part Number 271](#)



[Part Number 982](#)

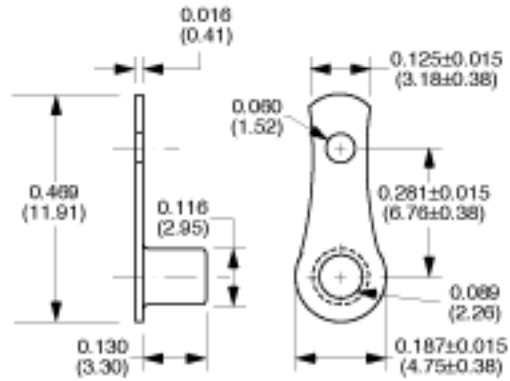


[Part Number 988](#)



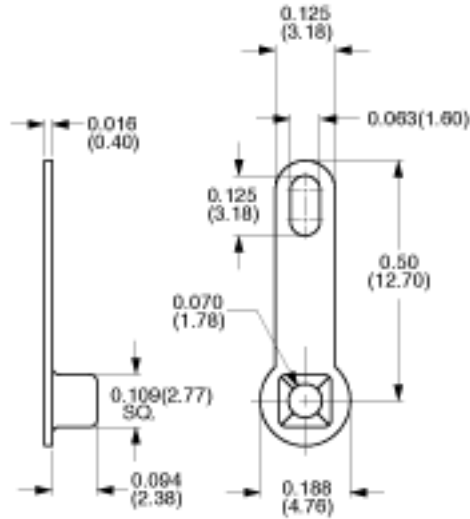
[Part Number 989](#)

Part Number 148



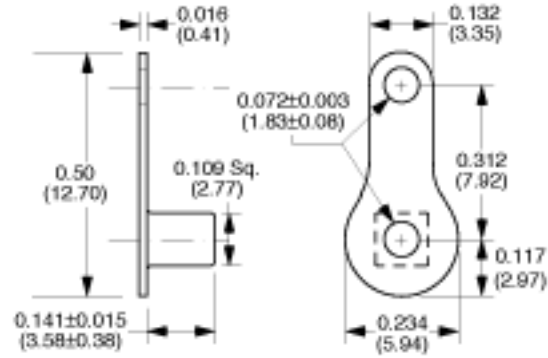
Part Number	Material Type	Finish Code	Inventory Type
148	C26000 Brass	0	Stock

Part Number 421



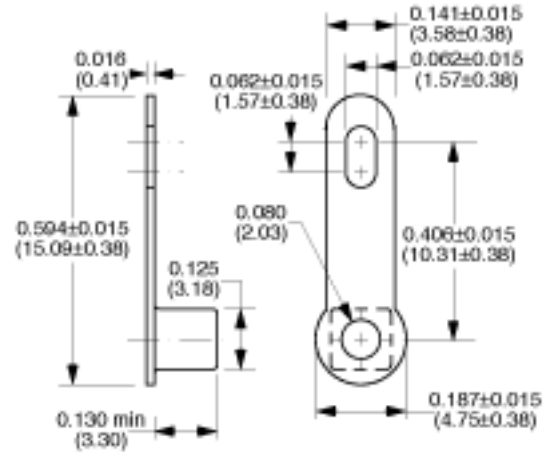
Part Number	Material Type	Finish Code	Inventory Type
421	C26000 Brass	0	Stock

Part Number 941



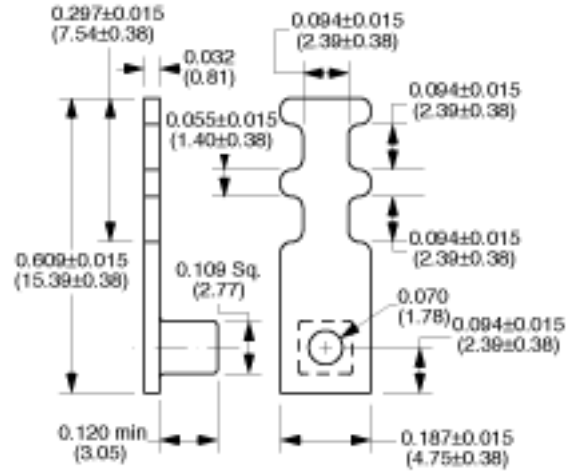
Part Number	Material Type	Finish Code	Inventory Type
941	C26000 Brass	0	Stock

Part Number 190



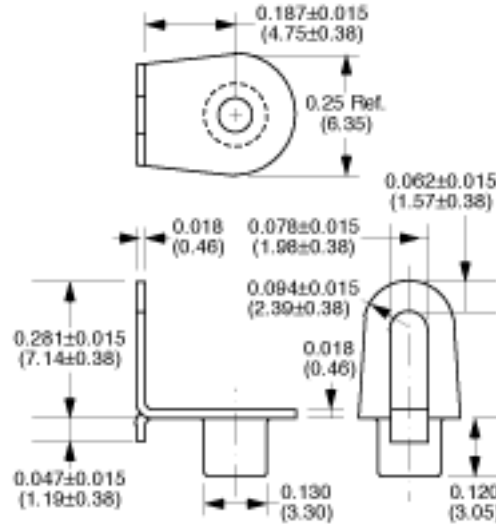
Part Number	Material Type	Finish Code	Inventory Type
190	C26000 Brass	0	Stock

Part Number 975



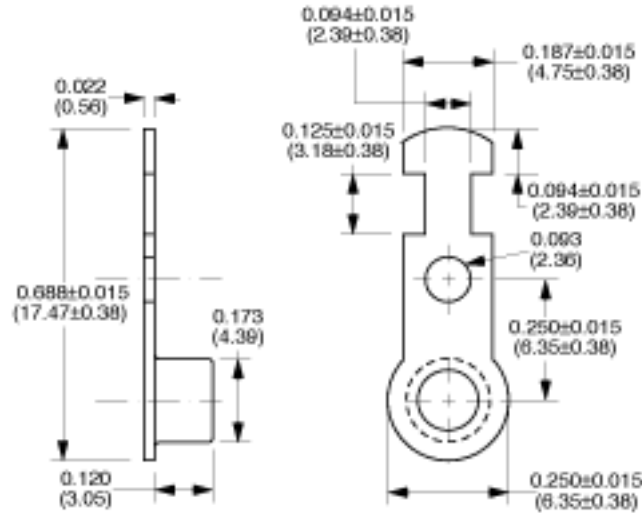
Part Number	Material Type	Finish Code	Inventory Type
975	C26000 Brass	0	Stock

Part Number 332



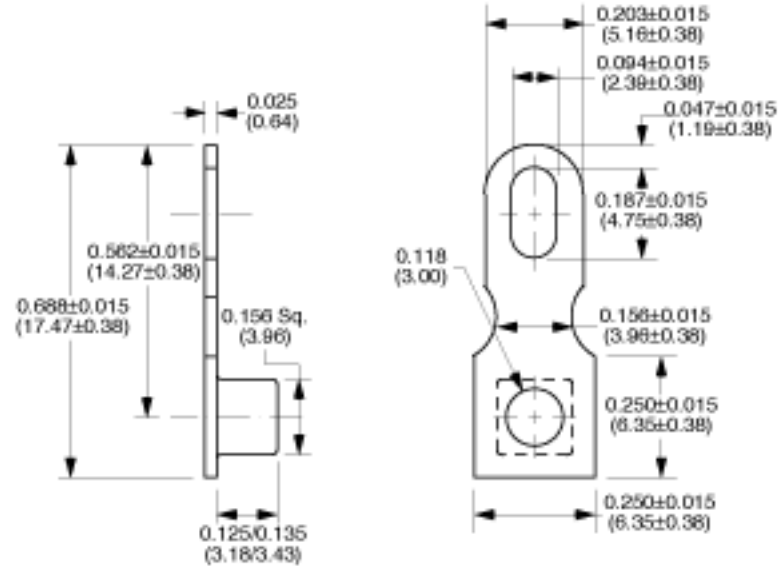
Part Number	Material Type	Finish Code	Inventory Type
332	C26000 Brass	0	Special

Part Number 271



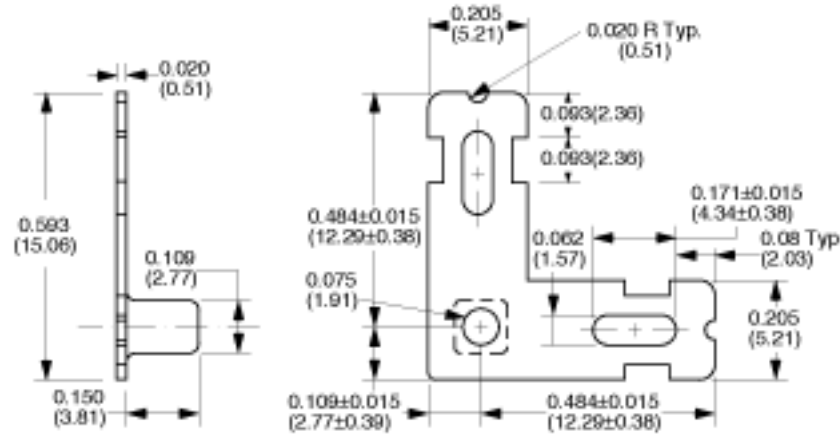
Part Number	Material Type	Finish Code	Inventory Type
271	C26000 Brass	0	Stock

Part Number 982



Part Number	Material Type	Finish Code	Inventory Type
982	C26000 Brass	0	Stock

Part Number 988



Part Number

Material Type

Finish Code

Inventory Type

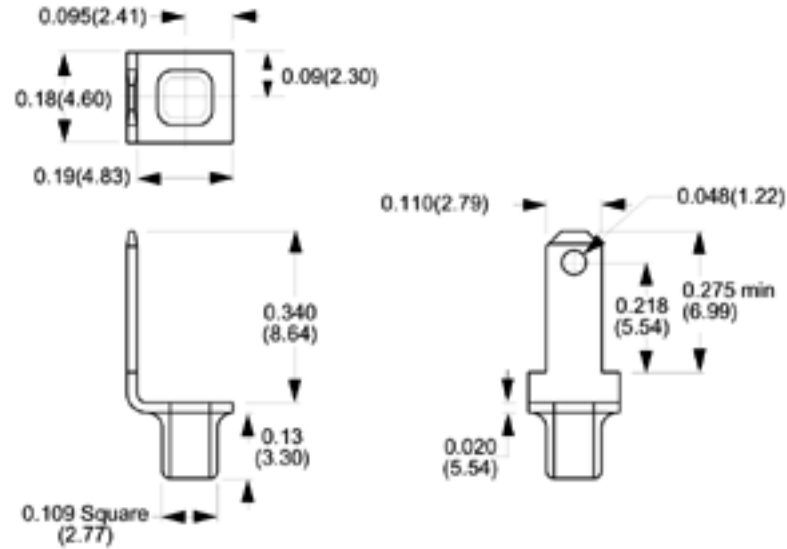
988

C26000 Brass

0

Special

Part Number 989



Part Number	Material Type	Finish Code	Inventory Type
989	C26000 Brass	0	Stock

Flat



Less than 0.600" (15.24 mm) long



0.600" (15.24 mm) - 0.850" (21.59 mm) long



Greater than 0.850" (21.59 mm) long

Less than 0.600" (15.24 mm) long



[Part Numbers 952-136 / MS 35431-14](#)



[Part Numbers 11A-xxx](#)



[Part Numbers 11-xxx](#)



[Part Number 11B-144](#)



[Part Number 542-093](#)



[Part Numbers 341-xxx](#)

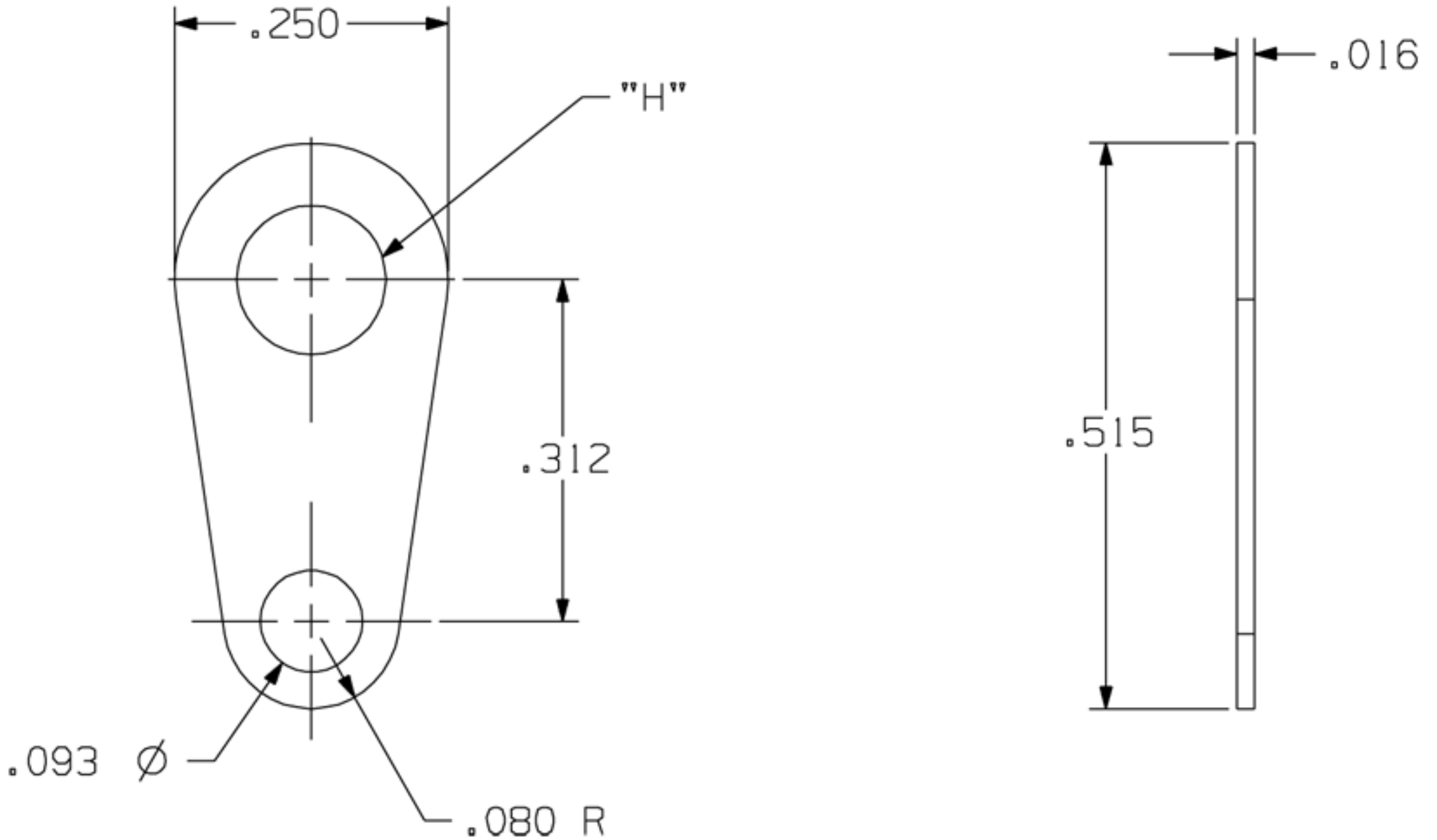


[Part Numbers 75-xxx](#)



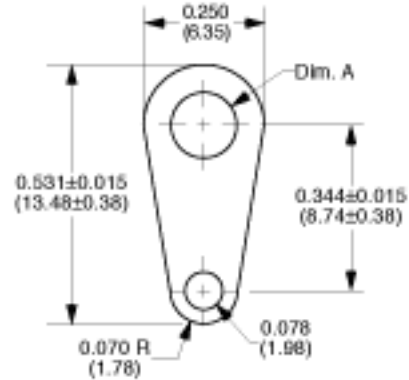
[Part Numbers 328-xxx](#)

Part Numbers 952-136 / MS 35431-14



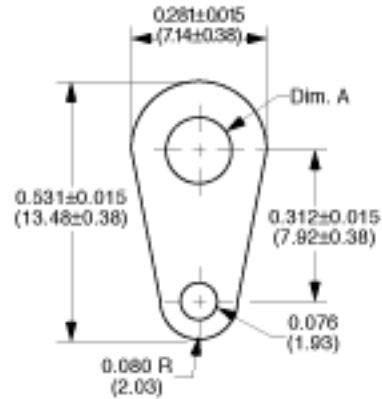
Part Number	Material Type	Finish Code	Inventory Type	Dim. 'A'
952-136	0.016" (0.41mm) C11000 Copper	0	Stock	0.136" (3.45mm)
MS 35431-14	0.016" (0.41mm) C11000 Copper	MS	Special	0.090/0.094" (2.29mm/2.39mm)

Part Numbers 11A-xxx



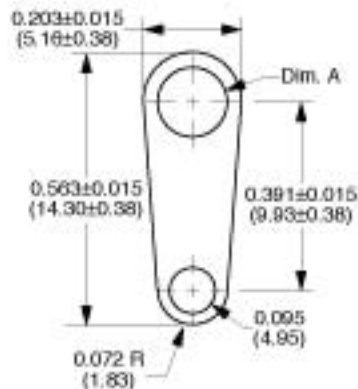
Part Number	Material Type	Finish Code	Inventory Type	Dim. 'A'
11A-093	0.016" (0.41mm) C11000 Copper	0	Special	0.093" (2.36mm)
11A-120	0.016" (0.41mm) C11000 Copper	0	Stock	0.120" (3.05mm)
11A-144	0.016" (0.41mm) C11000 Copper	0	Stock	0.144" (3.66mm)
11A-156	0.016" (0.41mm) C11000 Copper	0	Special	0.156" (3.96mm)
11A-169	0.016" (0.41mm) C11000 Copper	0	Special	0.169" (4.29mm)

Part Numbers 11-xxx



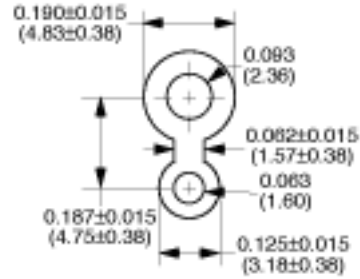
Part Number	Material Type	Finish Code	Inventory Type	Dim. 'A'
11-120	0.016" (0.41mm) C11000 Copper	0	Special	0.120" (3.05mm)
11-156	0.016" (0.41mm) C11000 Copper	0	Special	0.156" (3.96mm)
11-169	0.016" (0.41mm) C11000 Copper	0	Stock	0.169" (4.29mm)

Part Number 11B-144



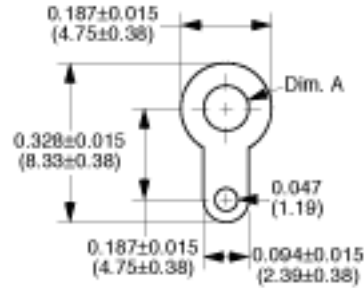
Part Number	Material Type	Finish Code	Inventory Type	Dim. 'A'
11B-144	0.016" (0.41mm) C11000 Copper	0	Special	0.144" (3.66mm)

Part Number 542-093



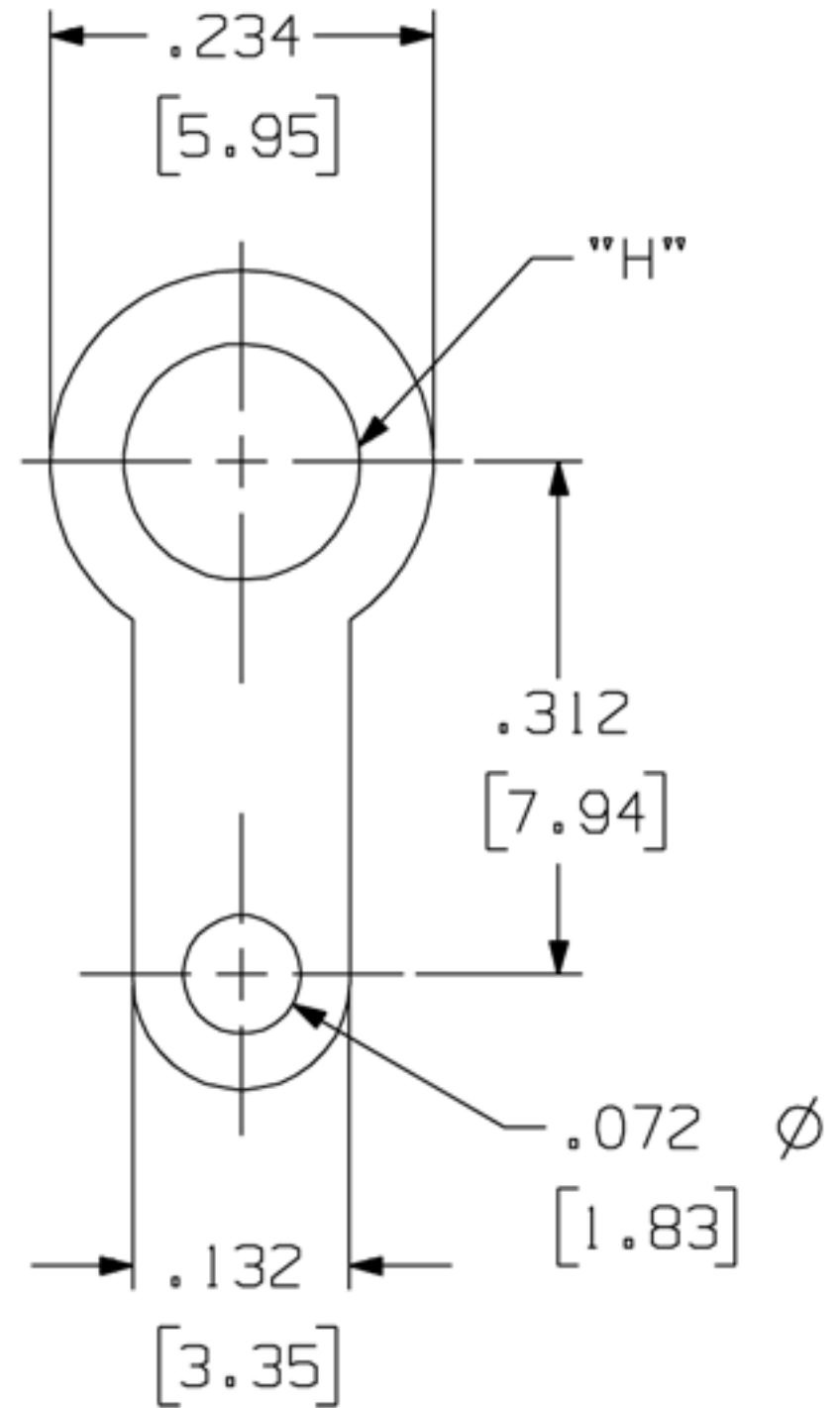
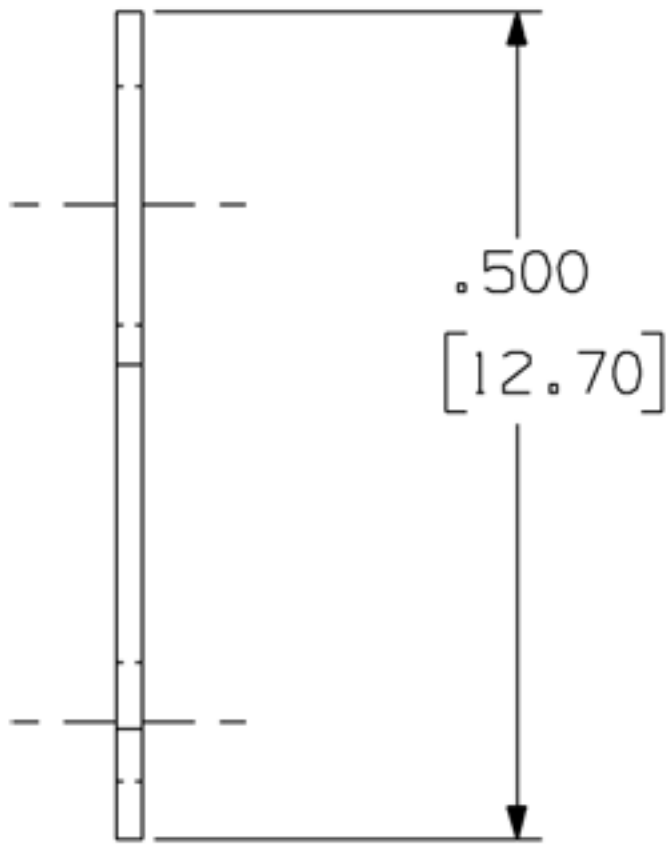
Part Number	Material Type	Finish Code	Inventory Type
542-093	0.016" (0.41mm) C11000 Copper	0	Stock

Part Numbers 341-xxx



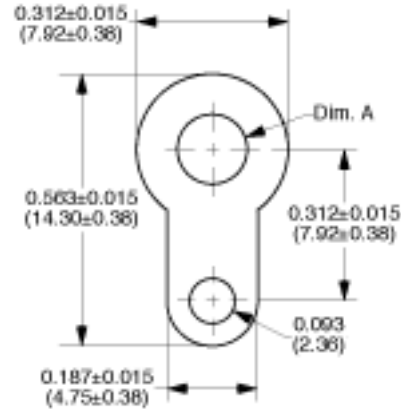
Part Number	Material Type	Finish Code	Inventory Type	Dim. 'A'
341-093	0.016" (0.41mm) C11000 Copper	0	Stock	0.093" (2.36mm)
341-120	0.016" (0.41mm) C11000 Copper	0	Stock	0.120" (3.05mm)
341-125	0.016" (0.41mm) C11000 Copper	0	Stock	0.125" (3.18mm)

Part Numbers 75-xxx



Part Number	Material Type	Finish Code	Inventory Type	Dim. 'A'
75-093	0.016" (0.41mm) C11000 Copper	0	Stock	0.093" (2.36mm)
75-100	0.016" (0.41mm) C11000 Copper	0	Stock	0.100" (2.54mm)
75-120	0.016" (0.41mm) C11000 Copper	0	Stock	0.120" (3.05mm)
75-130	0.016" (0.41mm) C11000 Copper	0	Stock	0.130" (3.30mm)
75-144	0.016" (0.41mm) C11000 Copper	0	Stock	0.144" (3.66mm)

Part Numbers 328-xxx



Part Number	Material Type	Finish Code	Inventory Type	Dim. 'A'
328-125	0.020" (0.51mm) C26000 Brass	0	Special	0.125" (3.18mm)
328-144	0.020" (0.51mm) C26000 Brass	0	Stock	0.144" (3.68mm)
328-156	0.020" (0.51mm) C26000 Brass	0	Special	0.156" (3.96mm)

0.600" (15.24 mm) - 0.850" (21.59 mm) long



[Part Numbers 7-xxx](#)



[Part Numbers 7A-xxx](#)



[Part Numbers 29A-xxx](#)



[Part Number 390-169](#)



[Part Numbers 9-xxx](#)



[Part Numbers 619-xxx](#)



[Part Numbers 2A-xxx](#)

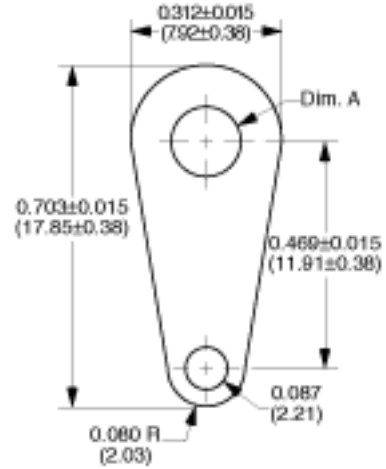


[Part Numbers 29-xxx / MS 35431-9](#)



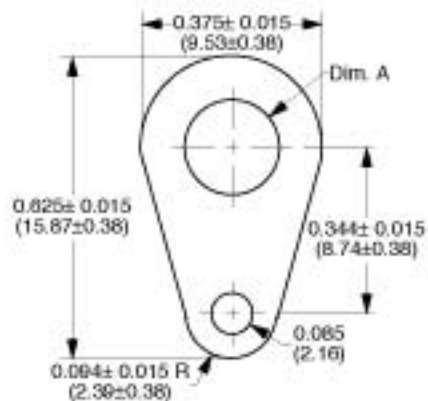
[Part Numbers MS 35431-x](#)

Part Numbers 7-xxx



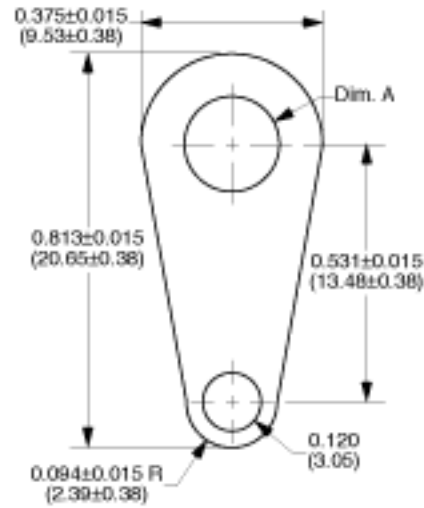
Part Number	Material Type	Finish Code	Inventory Type	Dim. 'A'
7-120	0.016" (0.41mm) C11000 Copper	0	Special	0.120" (3.05mm)
7-144	0.016" (0.41mm) C11000 Copper	0	Stock	0.144" (3.66mm)
7-169	0.016" (0.41mm) C11000 Copper	0	Special	0.169" (4.29mm)
7-196	0.016" (0.41mm) C11000 Copper	0	Stock	0.196" (4.98mm)

Part Numbers 7A-xxx



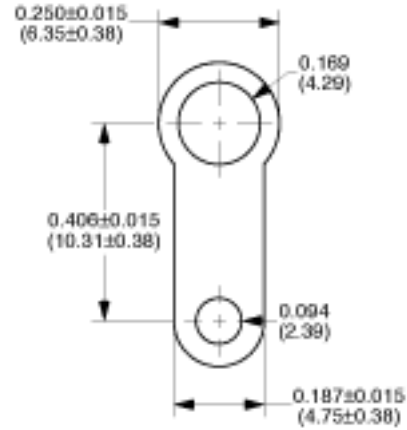
Part Number	Material Type	Finish Code	Inventory Type	Dim. 'A'
7A-196	0.016" (0.41mm) C11000 Copper	0	Stock	0.196" (4.98mm)
7A-225	0.016" (0.41mm) C11000 Copper	0	Stock	0.225" (5.72mm)
7A-250	0.016" (0.41mm) C11000 Copper	0	Stock	0.250" (6.35mm)

Part Numbers 29A-xxx



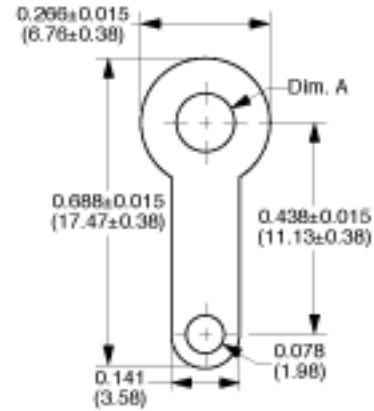
Part Number	Material Type	Finish Code	Inventory Type	Dim. 'A'
29A-187	0.016" (0.41mm) C11000 Copper	0	Stock	0.187" (4.75mm)
29A-196	0.016" (0.41mm) C11000 Copper	0	Stock	0.196" (4.98mm)
29A-250	0.016" (0.41mm) C11000 Copper	0	Stock	0.250" (6.35mm)

Part Number 390-169

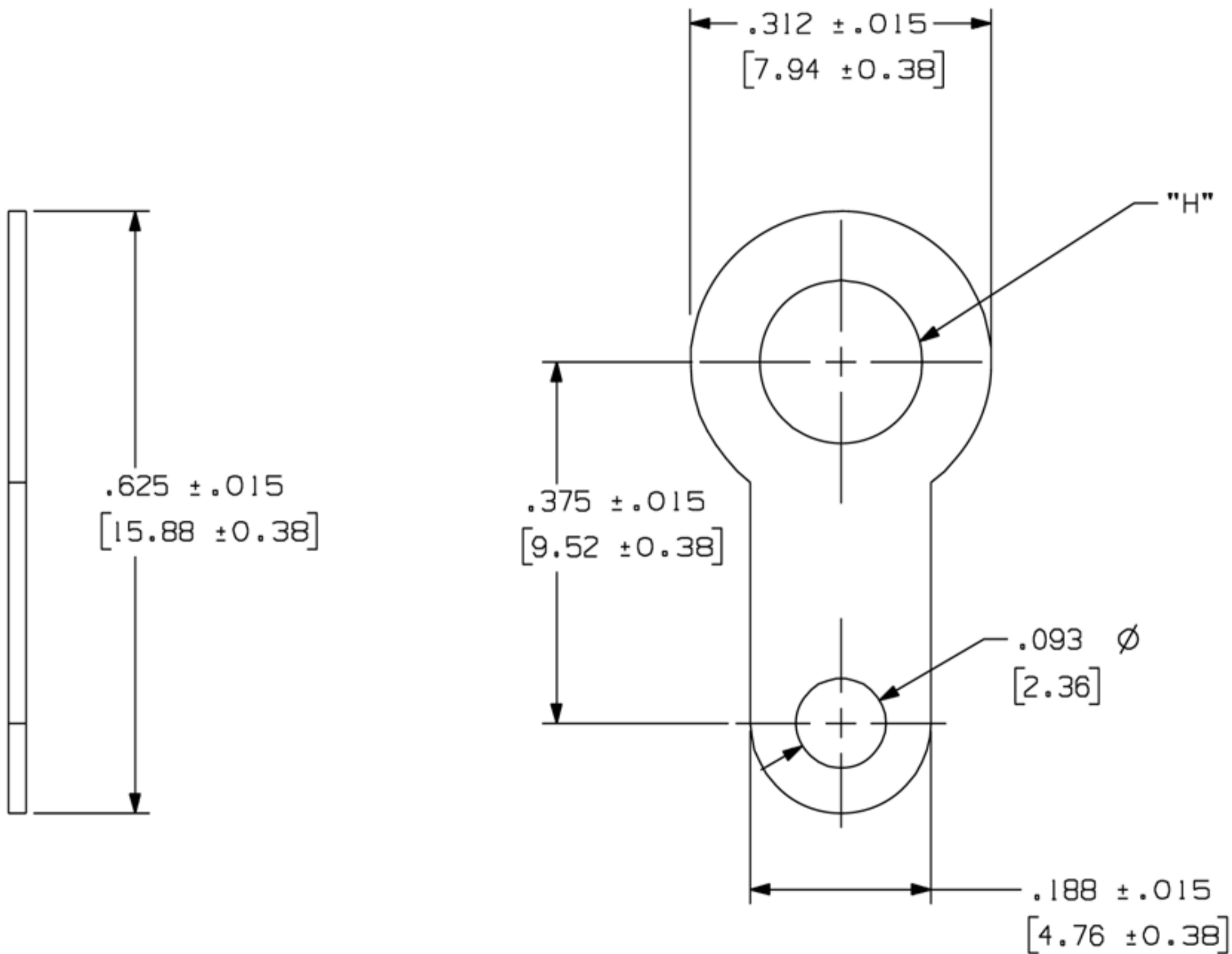


Part Number	Material Type	Finish Code	Inventory Type
390-169	0.016" (0.41mm) C11000 Copper	0	Stock

Part Number 9-144

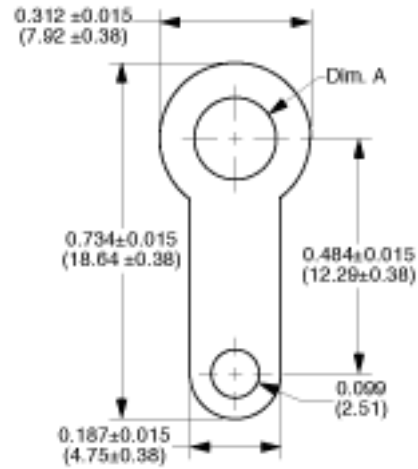


Part Number	Material Type	Finish Code	Inventory Type	Dim. 'A'
9-144	0.020" (0.51mm) C26000 Brass	0	Stock	0.144" (3.66mm)



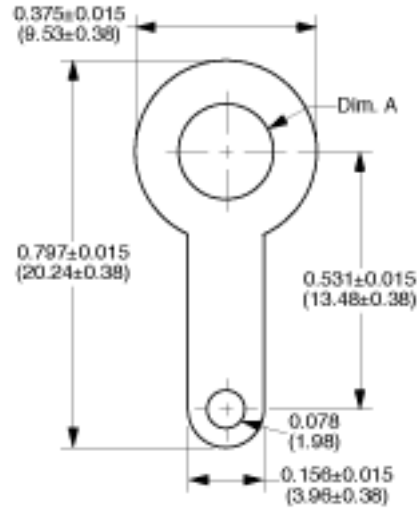
Part Number	Material Type	Finish Code	Inventory Type	Dim. 'A'
619-120	0.018" (0.46mm) C11000 Copper	0	Special	0.120" (3.66mm)
619-144	0.018" (0.46mm) C11000 Copper	0	Special	0.144" (3.66mm)
619-169	0.018" (0.46mm) C11000 Copper	0	Special	0.169" (4.29mm)
619-196	0.018" (0.46mm) C11000 Copper	0	Special	0.196" (4.98mm)

Part Numbers 2A-xxx

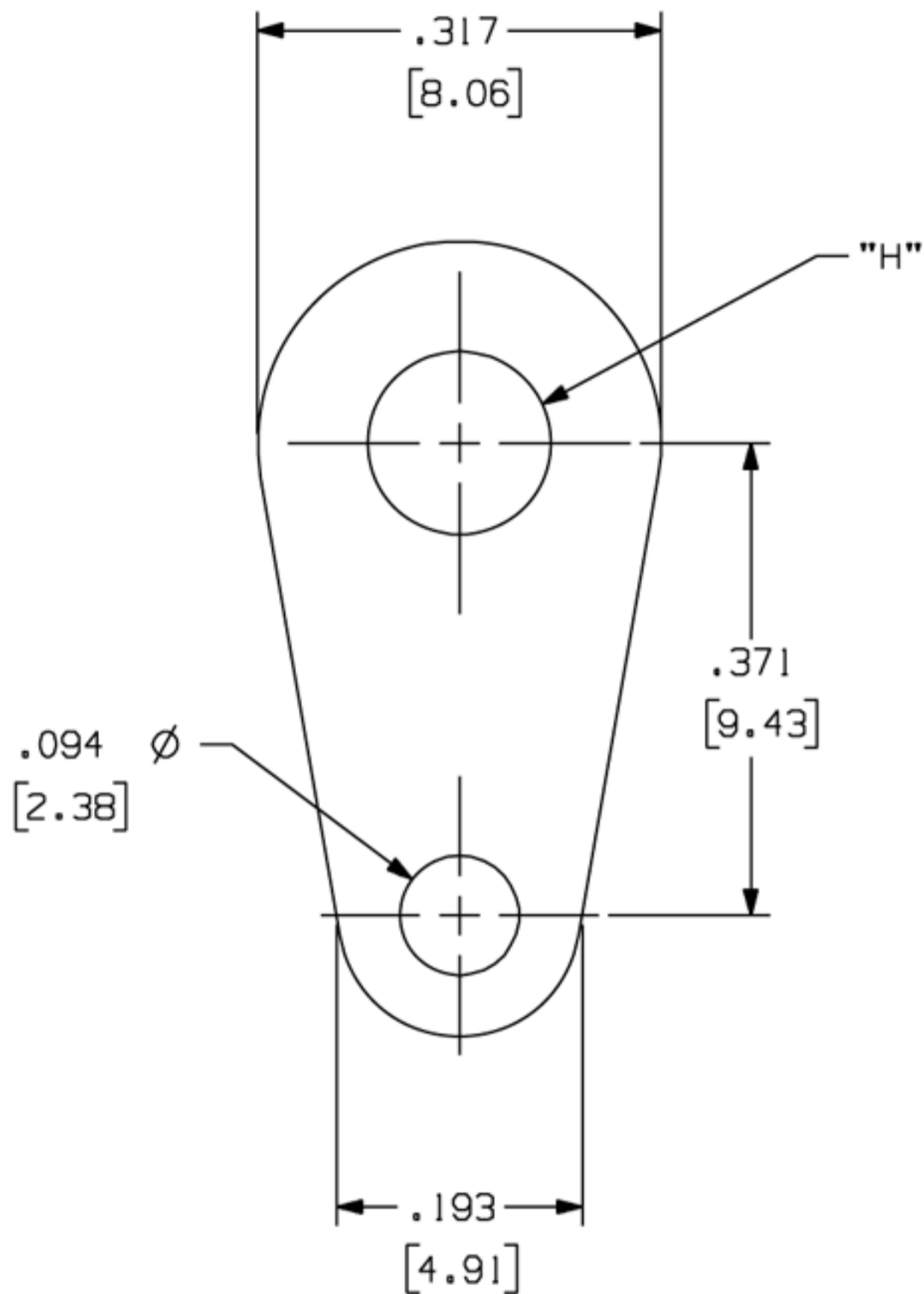
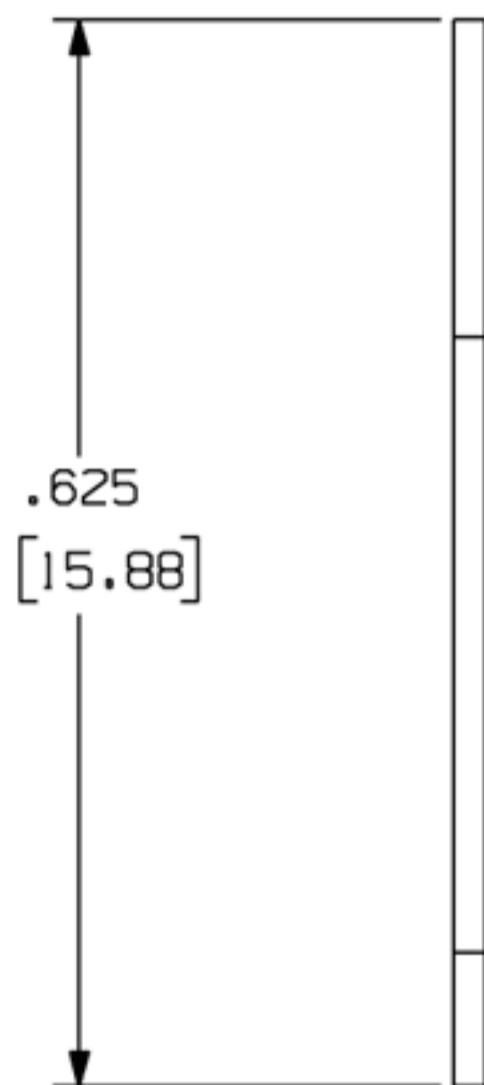


Part Number	Material Type	Finish Code	Inventory Type	Dim. 'A'
2A-169	0.016" (0.41mm) C11000 Copper	0	Stock	0.169" (4.29mm)
2A-196	0.016" (0.41mm) C11000 Copper	0	Stock	0.196" (4.98mm)

Part Numbers 29-xxx / MS 35431-9



Part Number	Material Type	Finish Code	Inventory Type	Dim. 'A'
29-196	0.020" (0.51mm) C26000 Brass	0	Stock	0.196" (4.98mm)
29-250	0.020" (0.51mm) C26000 Brass	0	Stock	0.250" (6.35mm)
MS 35431-9	0.020" (0.51mm) C11000 Copper	MS	Stock	0.260" (6.60mm)



Part Number	Material Type	Finish Code	Inventory Type	Dim. 'A'
MS 35431-1	0.018" (0.46mm) C11000 Copper	MS	Stock	0.115"/0.127" (2.92mm/3.23mm)
MS 35431-3	0.018" (0.46mm) C11000 Copper	MS	Stock	0.141"/0.153" (3.58mm/3.89mm)
MS 35431-5	0.018" (0.46mm) C11000 Copper	MS	Stock	0.167"/0.127" (4.24mm/4.55mm)
MS 35431-7	0.018" (0.46mm) C11000 Copper	MS	Stock	0.193"/0.127" (4.90mm/5.21mm)

Greater than 0.850" (21.59 mm) long



[Part Numbers 80-315 / MS 35431-10](#)



[Part Numbers 141-xxx](#)



[Part Numbers 355-xxx](#)



[Part Numbers 329-xxx](#)



[Part Numbers 389-xxx](#)



[Part Numbers 46-xxx](#)



[Part Number 405-144](#)



[Part Number 520-196](#)



[Part Numbers 558-xxx](#)



[Part Number 379-510](#)

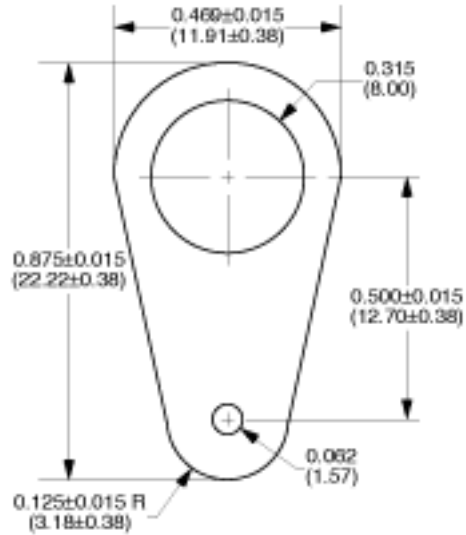


[Part Number 891-510](#)



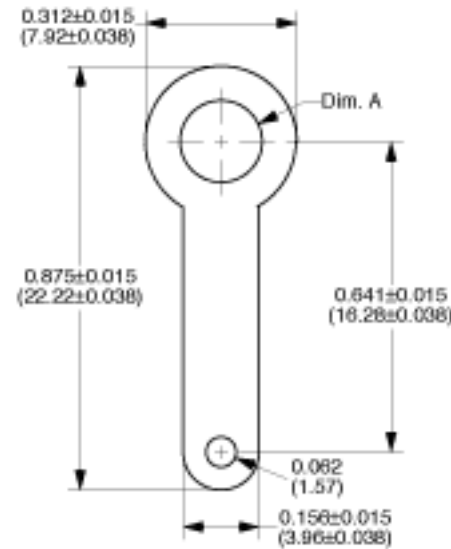
[Part Number 571-257](#)

Part Numbers 80-315 / MS 35431-10



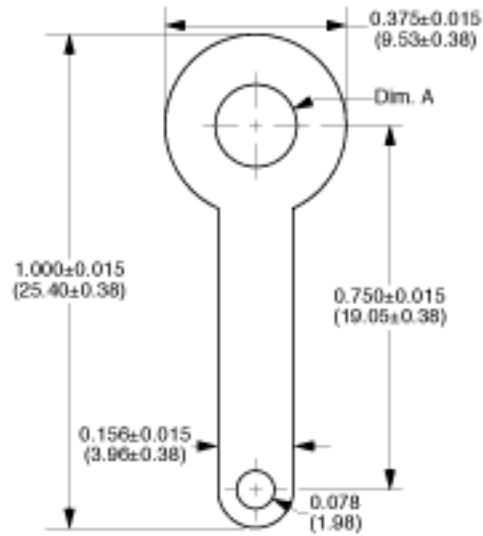
Part Number	Material Type	Finish Code	Inventory Type
80-315	0.020" (0.51mm) C11000 Copper	0	Stock
MS 35431-10	0.020" (0.51mm) C11000 Copper	MS	Special

Part Numbers 141-xxx



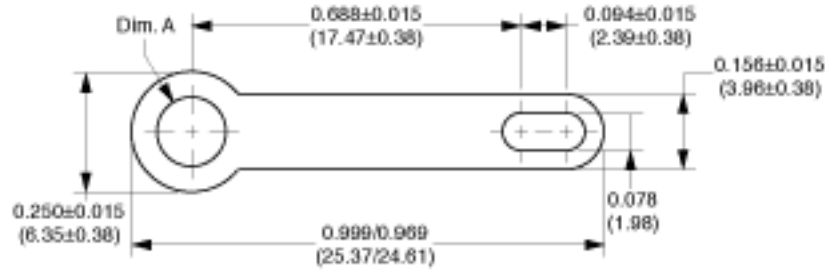
Part Number	Material Type	Finish Code	Inventory Type	Dim. 'A'
141-144	0.020" (0.51mm) C26000 Brass	0	Stock	0.144" (3.66mm)
141-169	0.020" (0.51mm) C26000 Brass	0	Stock	0.169" (4.29mm)
141-196	0.020" (0.51mm) C26000 Brass	0	Stock	0.196" (4.98mm)

Part Numbers 355-xxx



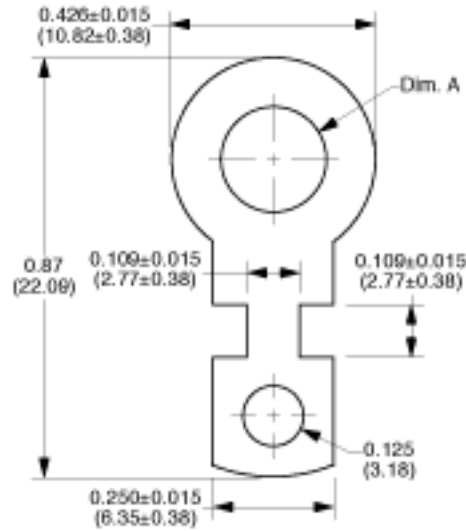
Part Number	Material Type	Finish Code	Inventory Type	Dim. 'A'
355-136	0.020" (0.51mm) C26000 Brass	0	Special	0.136" (3.45mm)
355-169	0.020" (0.51mm) C26000 Brass	0	Special	0.169" (4.29mm)
355-250	0.020" (0.51mm) C26000 Brass	0	Stock	0.250" (6.35mm)

Part Numbers 329-xxx



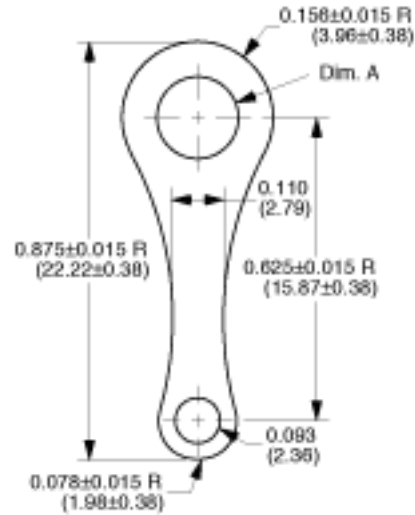
Part Number	Material Type	Finish Code	Inventory Type	Dim. 'A'
329-125	0.032" (0.81mm) C26000 Brass	0	Stock	0.125" (3.18mm)
329-144	0.032" (0.81mm) C26000 Brass	0	Special	0.144" (3.66mm)

Part Numbers 389-xxx



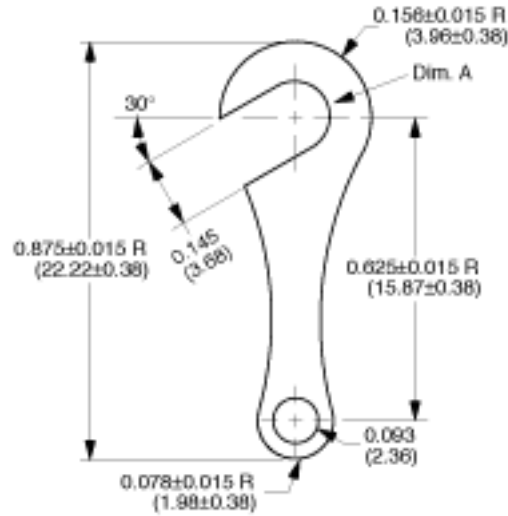
Part Number	Material Type	Finish Code	Inventory Type	Dim. 'A'
389-156	0.032" (0.81mm) C26000 Brass	0	Special	0.156" (3.96mm)
389-218	0.032" (0.81mm) C26000 Brass	0	Stock	0.218" (5.54mm)

Part Numbers 46-xxx



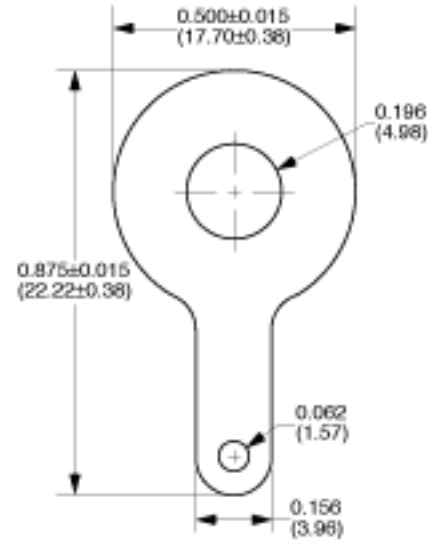
Part Number	Material Type	Finish Code	Inventory Type	Dim. 'A'
46-120	0.020" (0.51mm) C26000 Brass	0	Stock	0.120" (3.05mm)
46-144	0.020" (0.51mm) C26000 Brass	0	Stock	0.144" (3.66mm)
46-169	0.020" (0.51mm) C26000 Brass	0	Stock	0.169" (4.29mm)
46-196	0.020" (0.51mm) C26000 Brass	0	Stock	0.196" (4.98mm)

Part Number 405-144



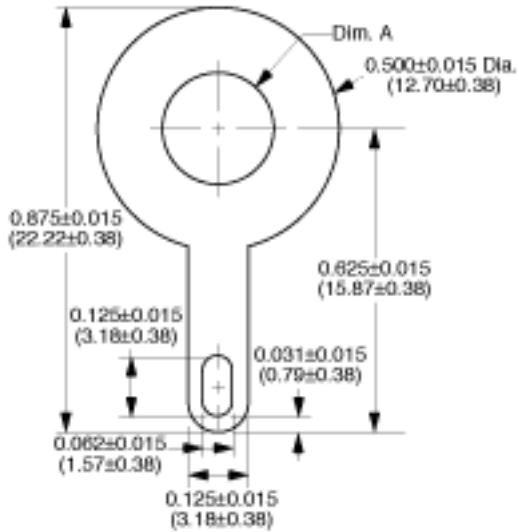
Part Number	Material Type	Finish Code	Inventory Type
405-144	0.020" (0.51mm) C11000 Copper	0	Stock

Part Number 520-196



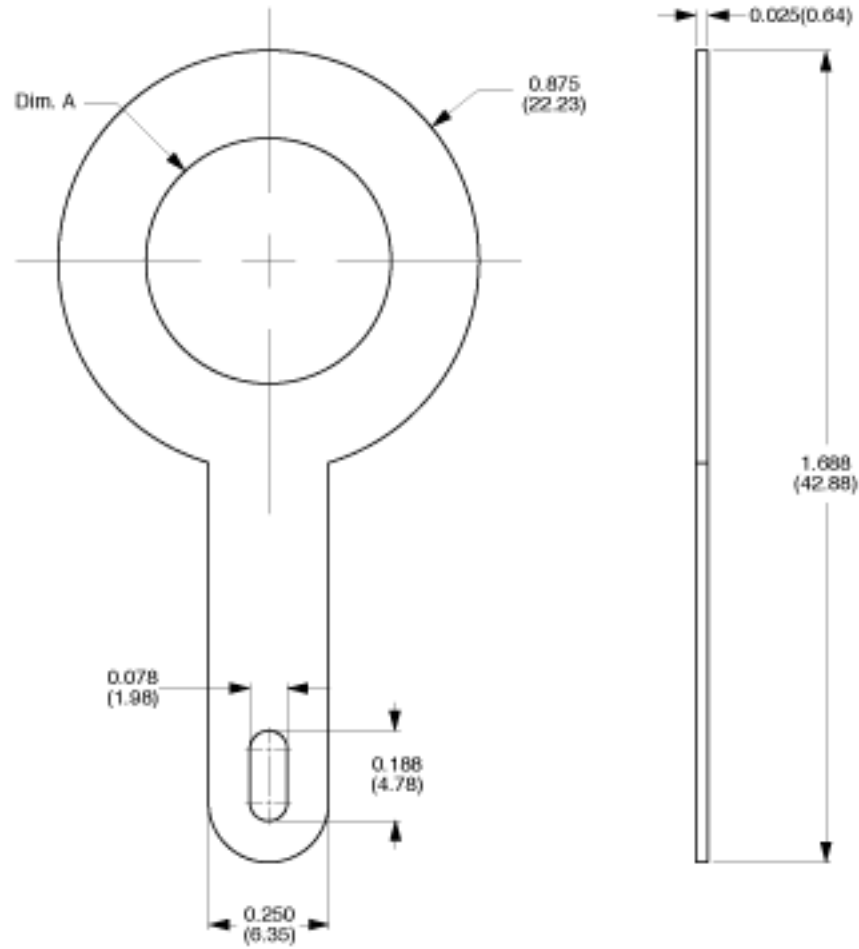
Part Number	Material Type	Finish Code	Inventory Type
520-196	0.011" (0.28mm) C26000 Brass	0	Stock

Part Numbers 558-xxx



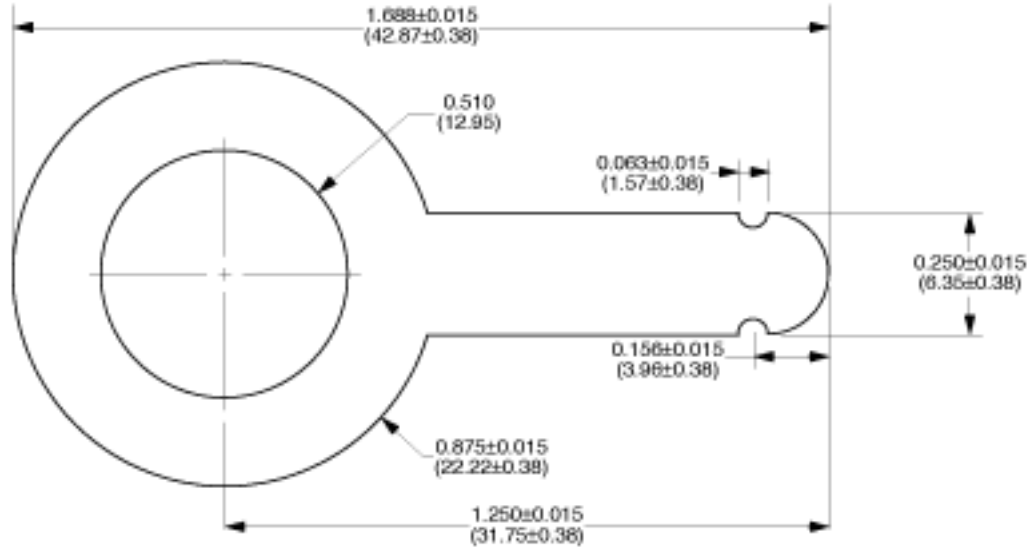
Part Number	Material Type	Finish Code	Inventory Type	Dim. 'A'
558-230	0.032" (0.81mm) Steel	13	Special	0.230" (5.84mm)
558-257	0.032" (0.81mm) Steel	13	Stock	0.257" (6.53mm)
558-340	0.032" (0.81mm) Steel	13	Special	0.340" (8.64mm)
558-380	0.032" (0.81mm) Steel	13	Stock	0.380" (9.65mm)

Part Number 379-510



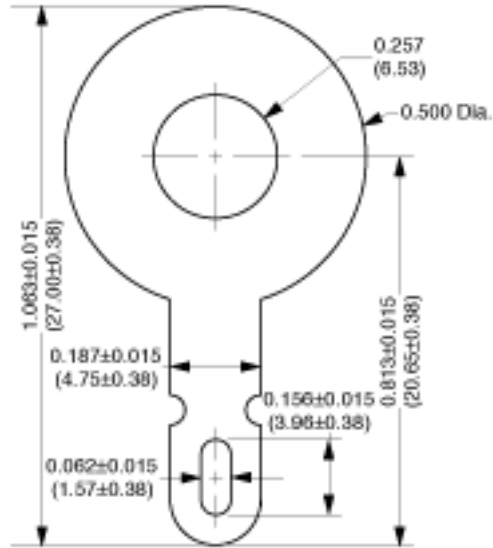
Part Number	Material Type	Finish Code	Inventory Type	Dim. 'A'
379-510	C11000 Copper	0	Stock	.510" (12.95mm)

Part Number 891-510



Part Number	Material Type	Finish Code	Inventory Type
891-510	0.020" (0.51mm) C26000 Brass	0	Stock

Part Number 571-257

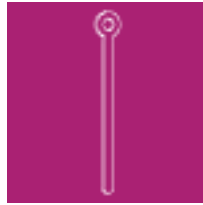


Part Number	Material Type	Finish Code	Inventory Type
571-257	Steel	13	Stock

Long Stem



[Part Number 414-113](#)



[Part Number 263-093](#)



[Part Number 598-093](#)



[Part Number 680-130](#)



[Part Numbers 342-xxx](#)



[Part Numbers 694-xxx](#)



[Part Numbers 20-xxx](#)



[Part Numbers 693-xxx](#)

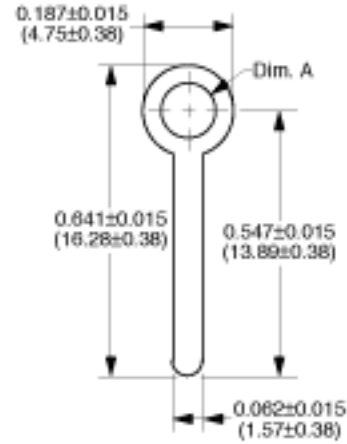


[Part Number 344-120](#)



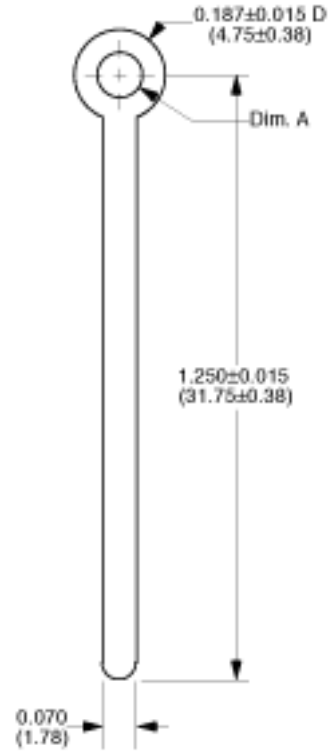
[Part Numbers 334-xxx](#)

Part Number 414-113



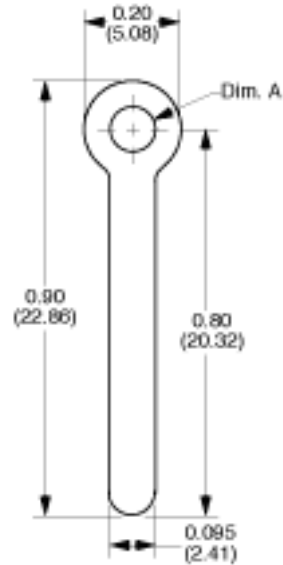
Part Number	Material Type	Finish Code	Inventory Type	Dim. 'A'
414-113	0.020" (0.51mm) C11000 Copper	0	Stock	0.113" (2.87mm)

Part Number 263-093



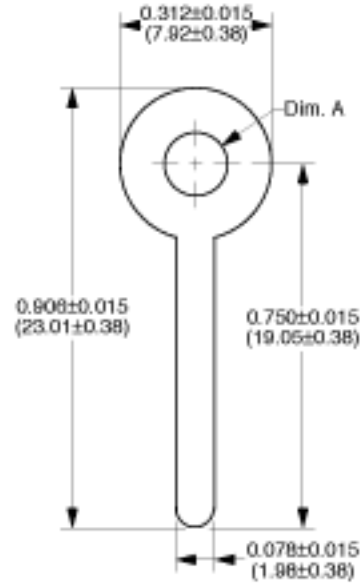
Part Number	Material Type	Finish Code	Inventory Type	Dim. 'A'
263-093	0.020" (0.51mm) C11000 Copper	11	Stock	0.093" (2.36mm)

Part Number 598-093



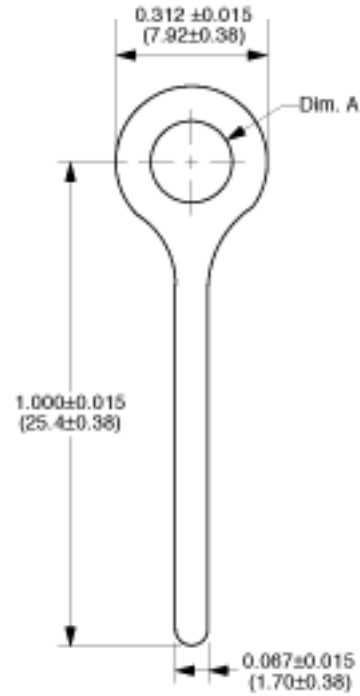
Part Number	Material Type	Finish Code	Inventory Type	Dim. 'A'
598-093	0.020" (0.51mm) C11000 Copper	0	Special	0.093" (2.36mm)

Part Number 680-130



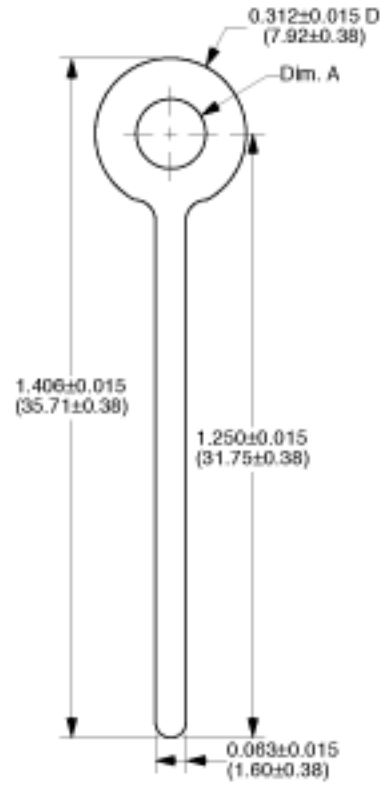
Part Number	Material Type	Finish Code	Inventory Type	Dim. 'A'
680-130	0.020" (0.51mm) C26000 Brass	0	Stock	0.130" (3.30mm)

Part Numbers 342-xxx



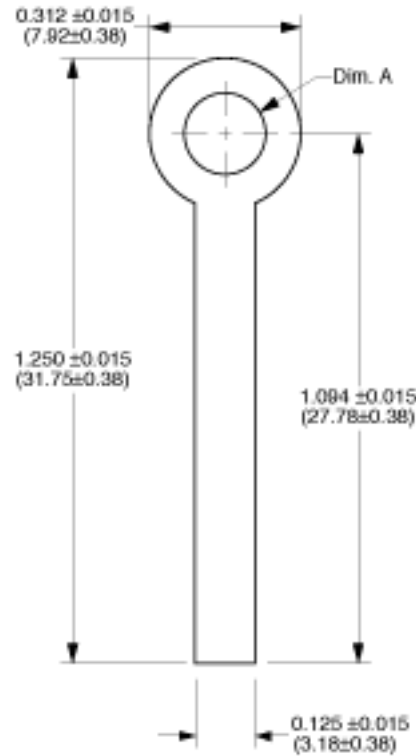
Part Number	Material Type	Finish Code	Inventory Type	Dim. 'A'
342-130	0.020" (0.51mm) C26000 Brass	0	Stock	0.130" (3.30mm)
342-168	0.020" (0.51mm) C26000 Brass	0	Stock	0.168" (4.27mm)

Part Numbers 694-xxx



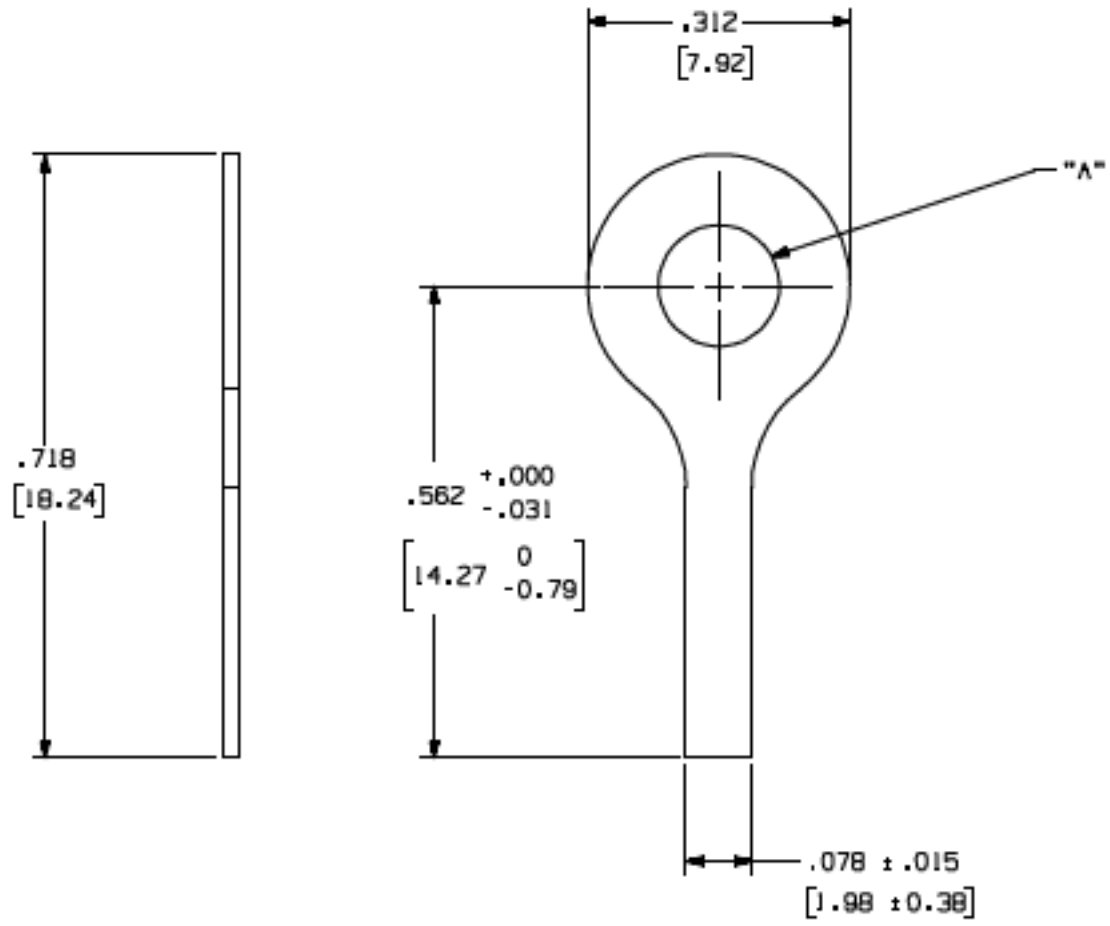
Part Number	Material Type	Finish Code	Inventory Type	Dim. 'A'
694-144	0.020" (0.51mm) C26000 Brass	0	Stock	0.144" (3.66mm)
694-169	0.020" (0.51mm) C26000 Brass	0	Special	0.169" (4.29mm)

Part Numbers 20-xxx



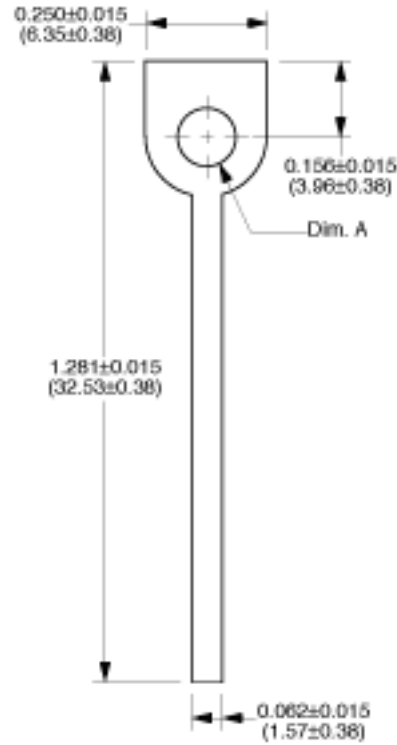
Part Number	Material Type	Finish Code	Inventory Type	Dim. 'A'
20-144	0.020" (0.51mm) C26000 Brass	0	Stock	0.144" (3.66mm)
20-169	0.020" (0.51mm) C26000 Brass	0	Stock	0.169" (4.29mm)
20-196	0.020" (0.51mm) C26000 Brass	0	Stock	0.196" (4.98mm)

Part Numbers 693-xxx



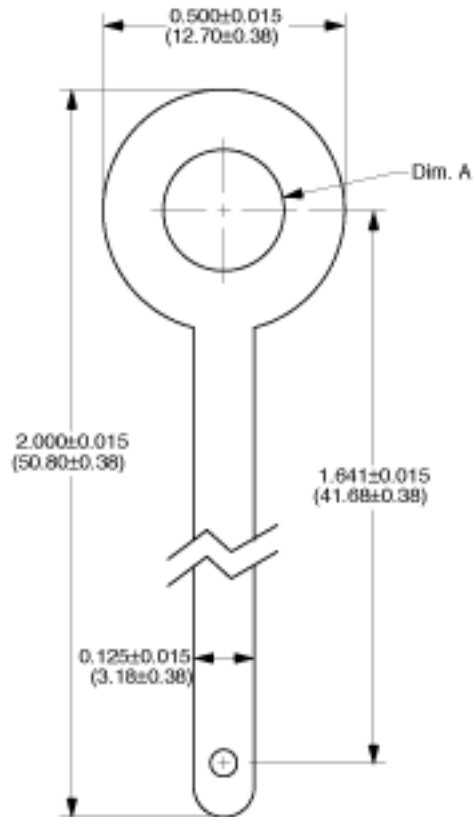
Part Number	Material Type	Finish Code	Inventory Type	Dim. 'A'
693-130	0.020" (0.51mm) C26000 Brass	0	Stock	0.130" (3.30mm)
693-144	0.020" (0.51mm) C26000 Brass	0	Stock	0.144" (3.66mm)

Part Number 344-120



Part Number	Material Type	Finish Code	Inventory Type	Dim. 'A'
344-120	0.016" (0.41mm) C26000 Brass	0	Special	0.120" (3.05mm)

Part Numbers 334-xxx



Part Number	Material Type	Finish Code	Inventory Type	Dim. 'A'
334-250	0.020" (0.51mm) C11000 Copper	0	Stock	0.250" (6.35mm)
334-375	0.020" (0.51mm) C11000 Copper	0	Stock	0.375" (9.53mm)

Angle



[Part Number 416-093](#)



[Part Number 401-120](#)



[Part Number 417-144](#)



[Part Numbers 349-xxx](#)



[Part Number 324-156](#)



[Part Number 376-218](#)



[Part Number 403-138](#)



[Part Numbers 574-130 / 574-130-1](#)



[Part Numbers 333-xxx](#)



[Part Numbers 322-xxx](#)



[Part Numbers 626-xxx](#)



[Part Number 110-250](#)



[Part Numbers 115-xxx](#)

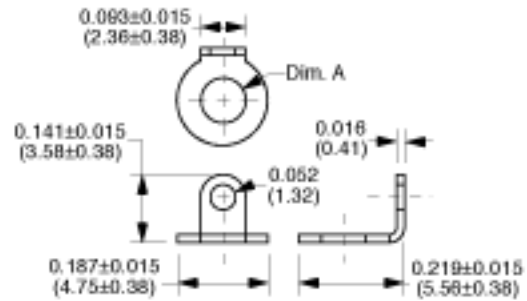


[Part Numbers 147-xxx](#)



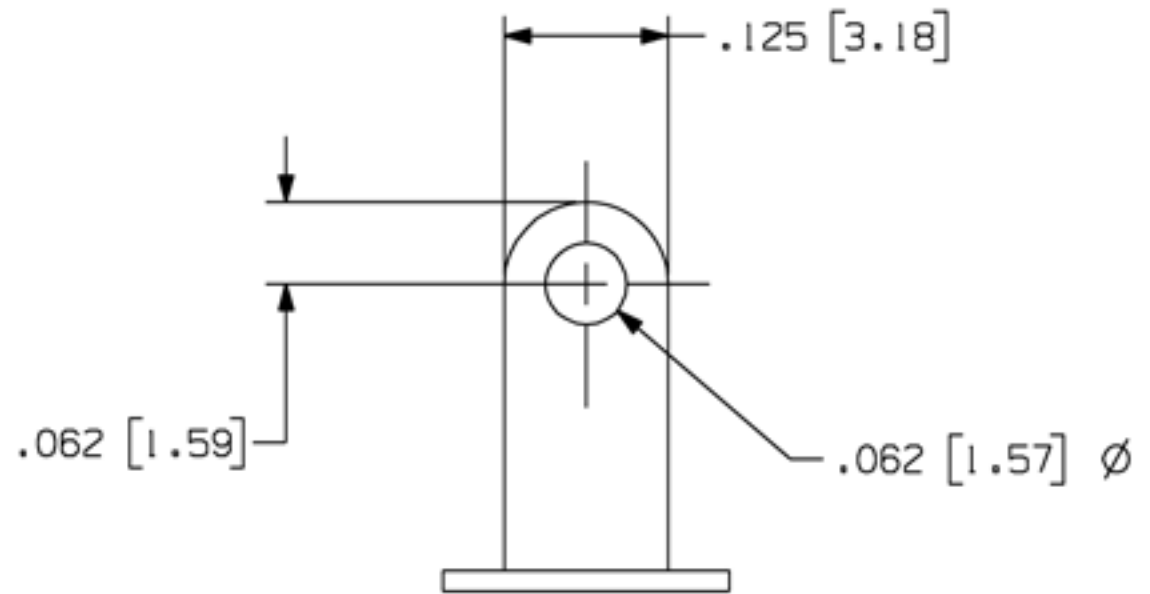
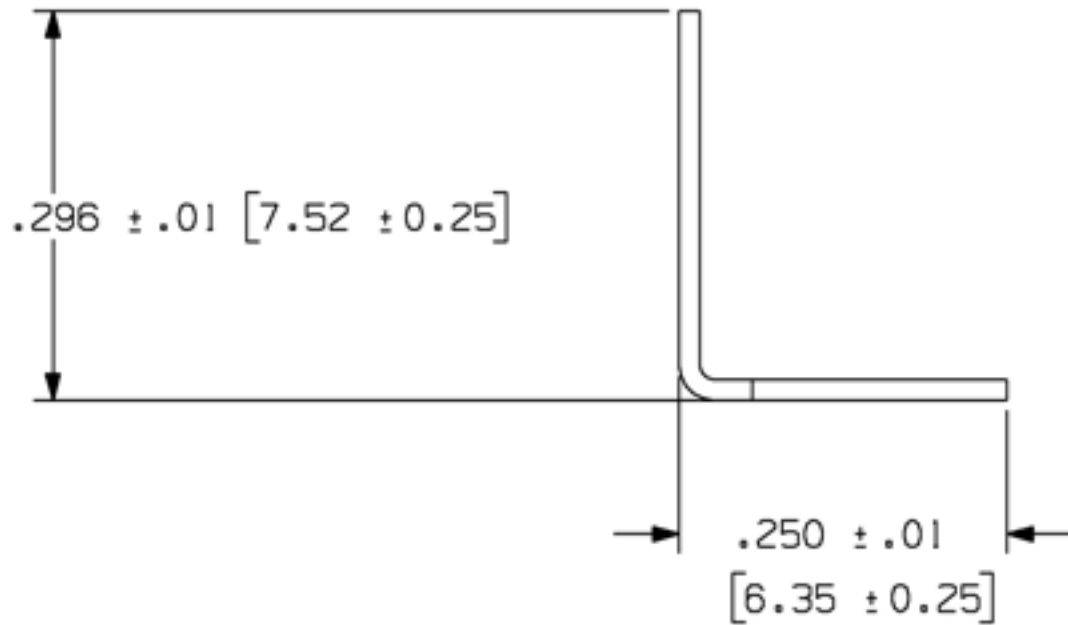
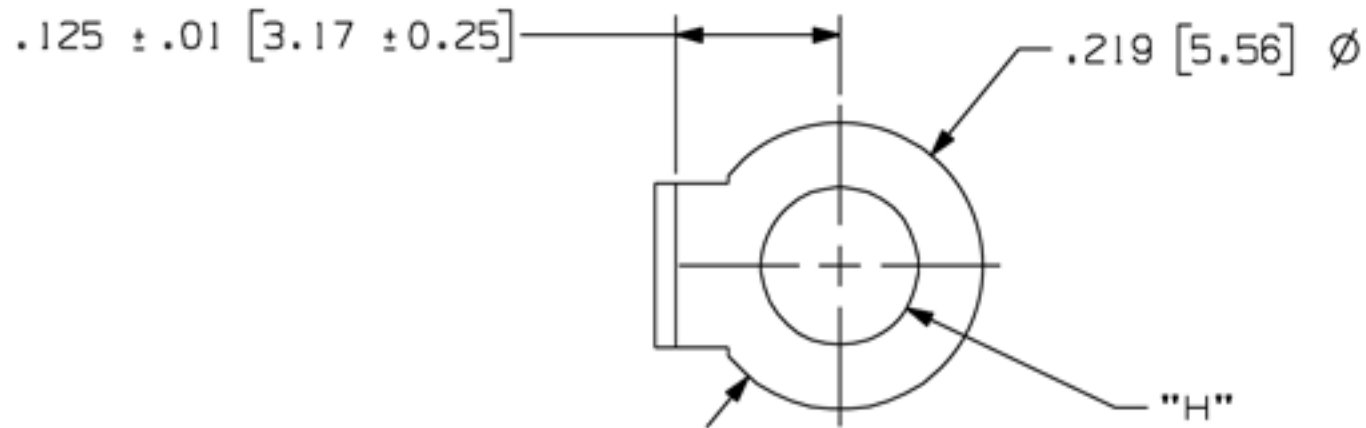
[Part Numbers 597-120](#)

Part Number 416-093



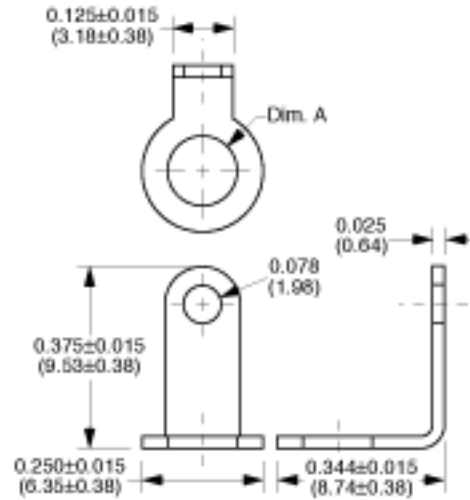
Part Number	Material Type	Finish Code	Inventory Type	Dim. 'A'
416-093	C11000 Copper	0	Stock	0.093" (2.36mm)

Part Number 401-120



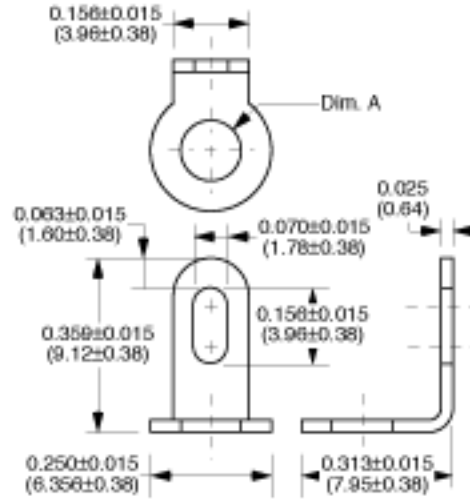
Part Number	Material Type	Finish Code	Inventory Type	Dim. 'A'
401-120	C26000 Brass	0	Stock	0.120" (3.05mm)

Part Number 417-144



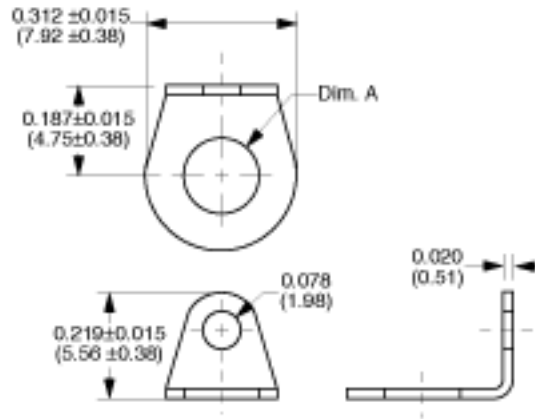
Part Number	Material Type	Finish Code	Inventory Type	Dim. 'A'
417-144	C26000 Brass	0	Stock	0.144" (3.66mm)

Part Numbers 349-xxx



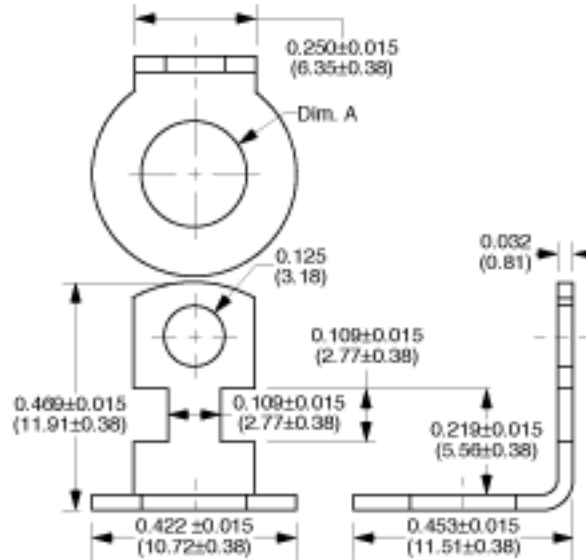
Part Number	Material Type	Finish Code	Inventory Type	Dim. 'A'
349-125	C26000 Brass	0	Stock	0.125" (3.18mm)
349-144	C26000 Brass	0	Stock	0.144" (3.66mm)

Part Number 324-156



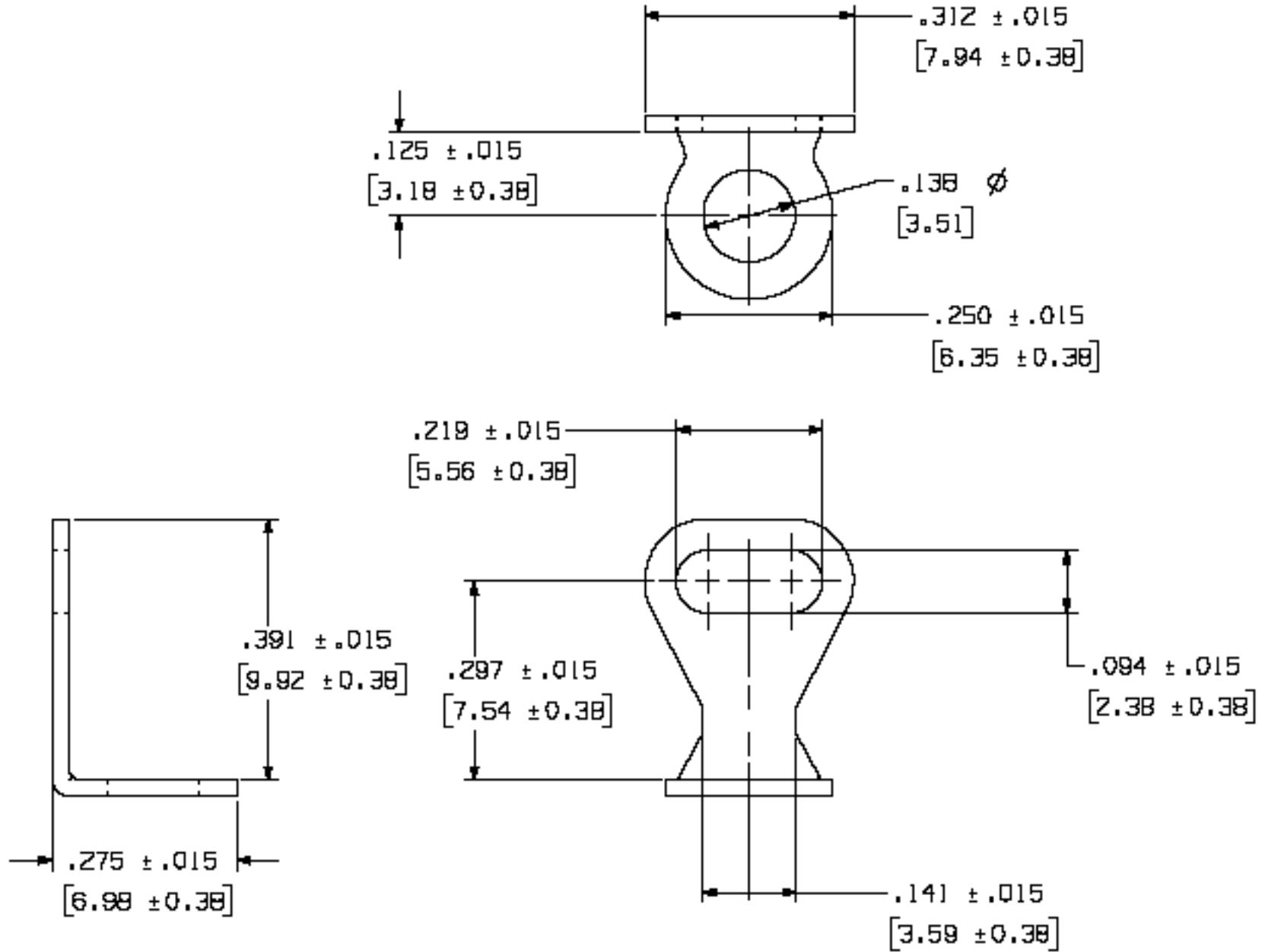
Part Number	Material Type	Finish Code	Inventory Type	Dim. 'A'
324-156	C26000 Brass	0	Stock	0.156" (3.95mm)

Part Number 376-218



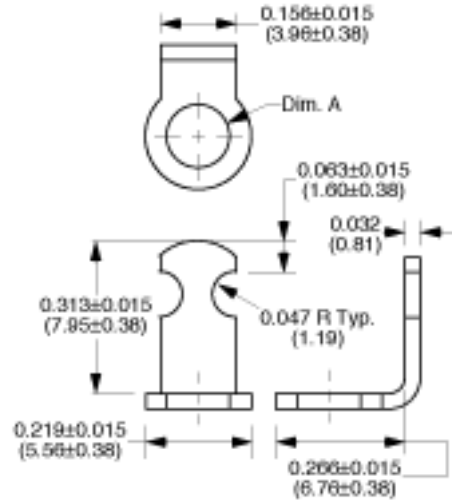
Part Number	Material Type	Finish Code	Inventory Type	Dim. 'A'
376-218	C26000 Brass	0	Stock	0.218" (5.54mm)

Part Number 403-138



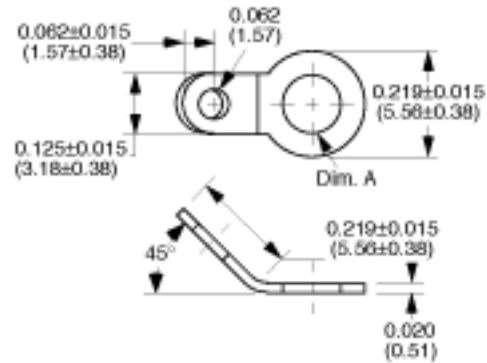
Part Number	Material Type	Finish Code	Inventory Type
403-138	C26000 Brass	0	Special

Part Numbers 574-130 / 574-130-1



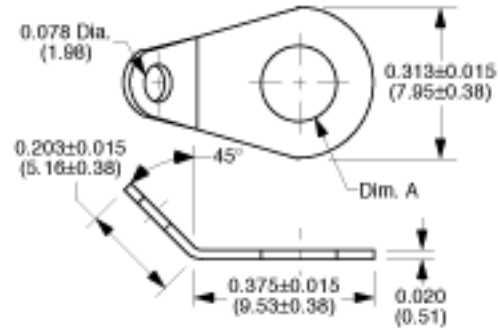
Part Number	Material Type	Finish Code	Inventory Type	Dim. 'A'
574-130	C26000 Brass	0	Stock	0.130" (3.30mm)
574-130-1	C26000 Brass	1	Stock	0.130" (3.30mm)

Part Numbers 333-xxx



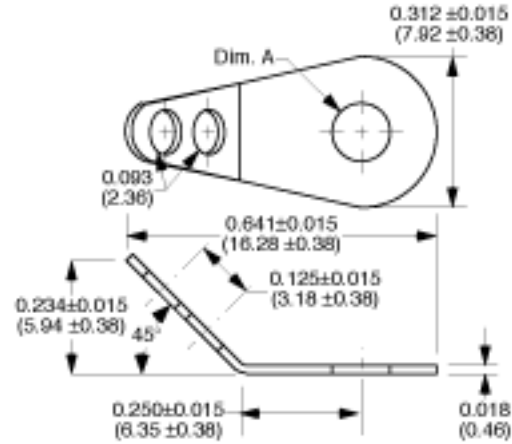
Part Number	Material Type	Finish Code	Inventory Type	Dim. 'A'
333-100	C26000 Brass	0	Stock	0.100" (2.54mm)
333-120	C26000 Brass	0	Stock	0.120" (3.05mm)

Part Numbers 322-xxx



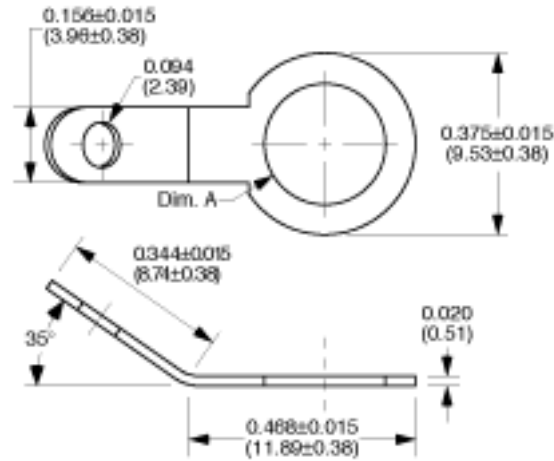
Part Number	Material Type	Finish Code	Inventory Type	Dim. 'A'
322-144	C26000 Brass	0	Stock	0.144" (3.66mm)
322-156	C26000 Brass	0	Stock	0.156" (3.96mm)

Part Numbers 626-xxx



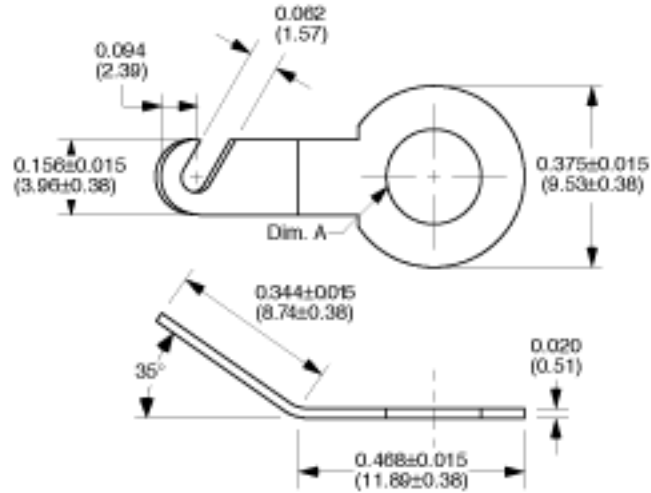
Part Number	Material Type	Finish Code	Inventory Type	Dim. 'A'
626-144	Bronze	0	Stock	0.144" (3.66mm)
626-196	Bronze	0	Stock	0.196" (4.98mm)

Part Number 110-250



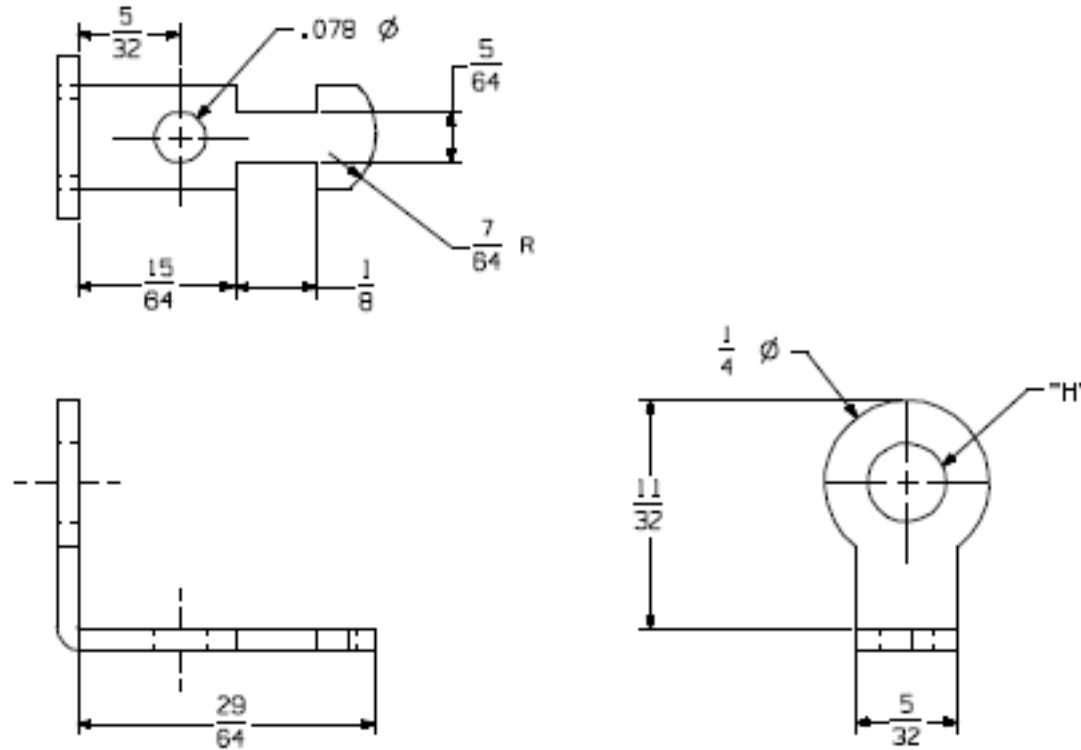
Part Number	Material Type	Finish Code	Inventory Type	Dim. 'A'
110-250	C26000 Brass	0	Stock	0.250" (6.35mm)

Part Numbers 115-xxx



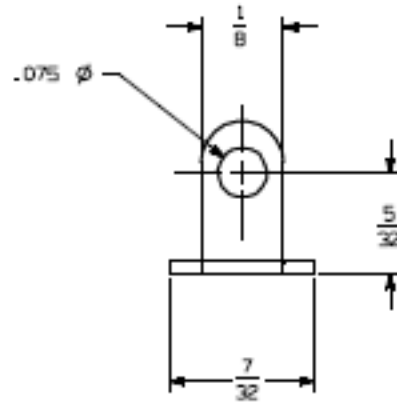
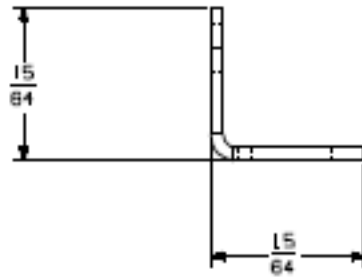
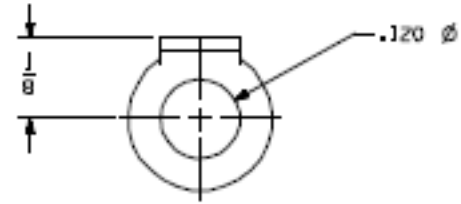
Part Number	Material Type	Finish Code	Inventory Type	Dim. 'A'
115-196	C26000 Brass	0	Stock	0.196" (4.98mm)
115-250	C26000 Brass	0	Stock	0.250" (6.35mm)

Part Numbers 147-xxx



Part Number	"H"	Material	Finish
147-120	.120	.032 C26000 Brass	Matte Tin
147-136	.136	.032 C26000 Brass	Matte Tin
147-144	.144	.032 C26000 Brass	Matte Tin
147-169	.169	.032 C26000 Brass	Matte Tin

Part Number 597-120



Part Number	Material	Finish
597-120	.020 C26000 Brass	0

Jumper



[Part Number 648-063](#)



[Part Number 81-169](#)



[Part Number 547-196](#)



[Part Number 667](#)



[Part Number 335-196-156](#)

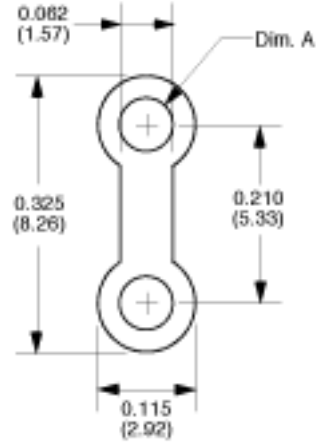


[Part Number 437](#)



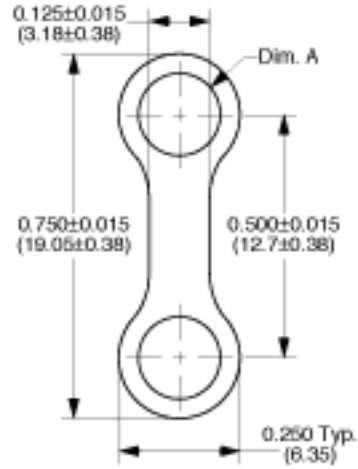
[Part Number 149-156](#)

Part Number 648-063



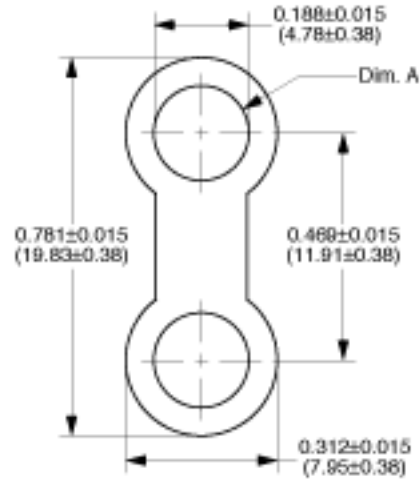
Part Number	Material Type	Finish Code	Inventory Type	Dim. 'A'
648-063	0.016" (0.41mm) C11000 Copper	0	Stock	0.063" (1.60mm)

Part Number 81-169



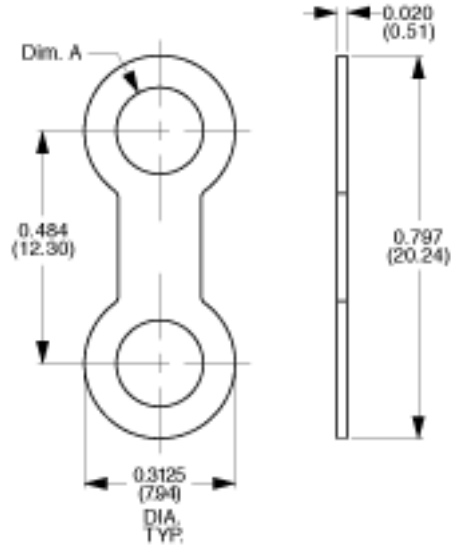
Part Number	Material Type	Finish Code	Inventory Type	Dim. 'A'
81-169	0.016" (0.41mm) C11000 Copper	0	Stock	0.169" (4.29mm)

Part Number 547-196



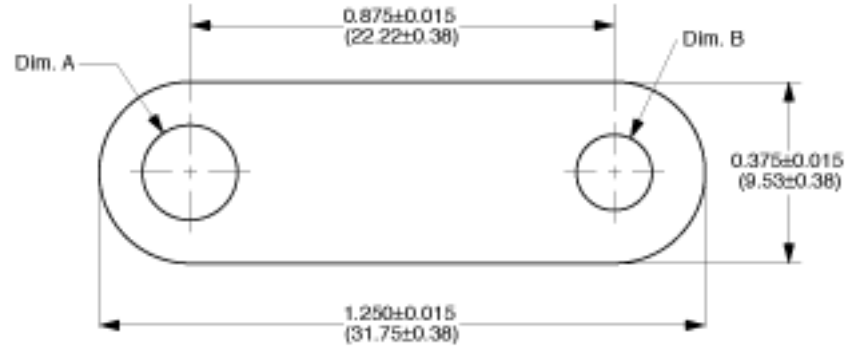
Part Number	Material Type	Finish Code	Inventory Type	Dim. 'A'
547-196	0.032" (0.81mm) C11000 Copper	0	Special	0.196" (4.98mm)

Part Number 667



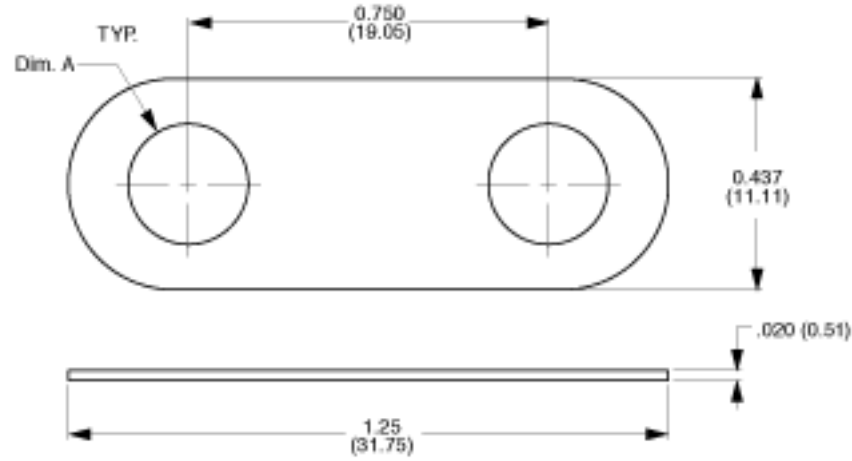
Part Number	Material Type	Finish Code	Inventory Type	Dim. 'A'
667	C26000 Brass	0	Special	0.180" (4.57mm)

Part Number 335-196-156



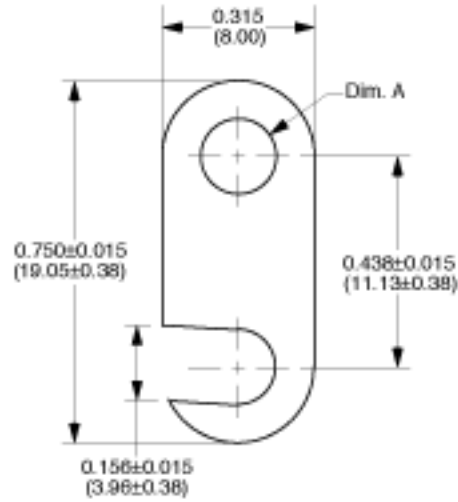
Part Number	Material Type	Finish Code	Inventory Type	Dim. 'A'	Dim. 'B'
335-196-156	0.032" (0.81mm) C26000 Brass	0	Stock	0.196" (4.98mm)	0.156" (3.96mm)

Part Number 437



Part Number	Material Type	Finish Code	Inventory Type	Dim. 'A'
437	C26000 Brass	0	Stock	0.250" (6.35mm)

Part Number 149-156



Part Number	Material Type	Finish Code	Inventory Type	Dim. 'A'
149-156	0.020" (0.51mm) C26000 Brass	0	Stock	0.156" (3.96mm)

Lockwasher Terminals



[Flat](#)



[Angled](#)

Flat



[Part Number 922-092](#)



[Part Number 947-144](#)



[Part Number 951-130](#)



[Part Numbers 802-xxx](#)



[Part Numbers 803-xxx / MS 77067-](#)

x



[Part Numbers 810-xxx / MS 77072-](#)

x



[Part Numbers 801-xxx / MS](#)
[777070-x](#)



[Part Numbers 806-196 / MS 77070-](#)
[5](#)



[Part Number 813-264](#)



[Part Number 1000](#)



[Part Number 761-375](#)

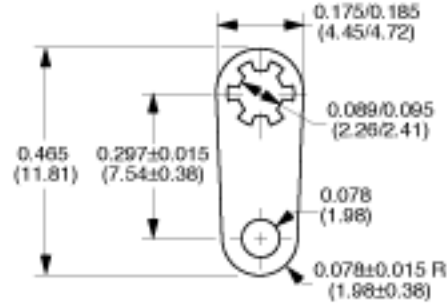


[Part Number 762-264](#)



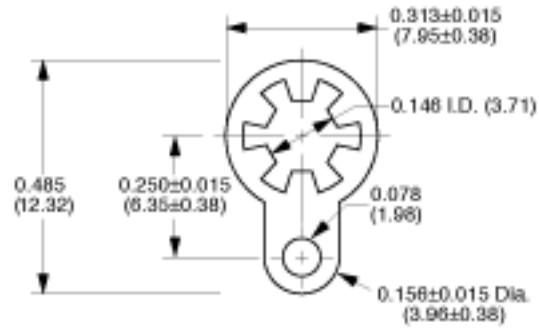
[Part Numbers 913-xxx](#)

Part Number 922-092



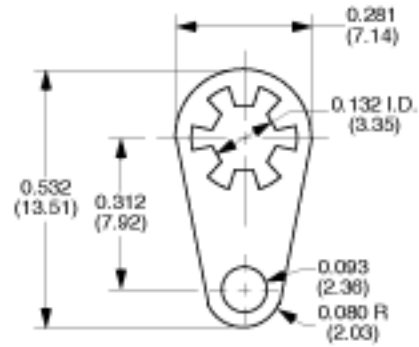
Part Number	Material Type	Finish Code	Inventory Type
922-092	0.013" (0.33mm) Bronze	0	Stock

Part Number 947-144



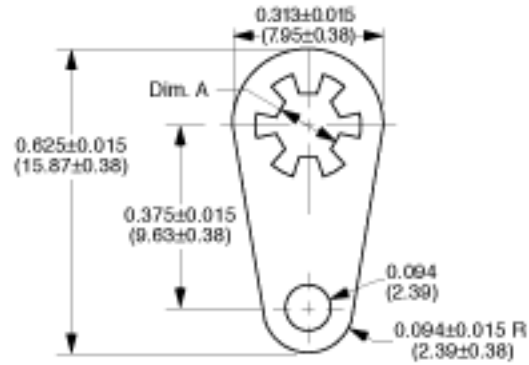
Part Number	Material Type	Finish Code	Inventory Type
947-144	0.018" (0.46mm) Bronze	0	Stock

Part Number 951-130



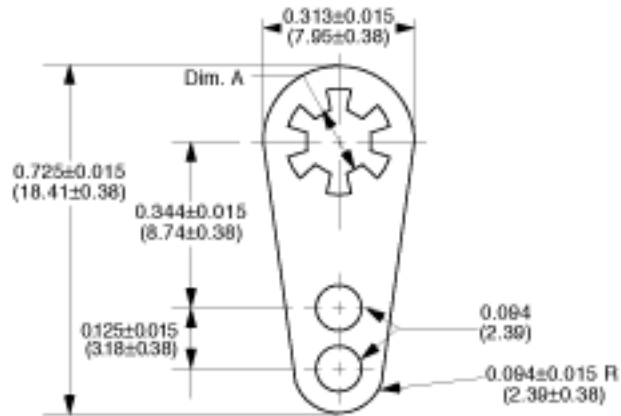
Part Number	Material Type	Finish Code	Inventory Type
951-130	0.016" (0.41mm) C26000 Brass	0	Special

Part Numbers 802-xxx



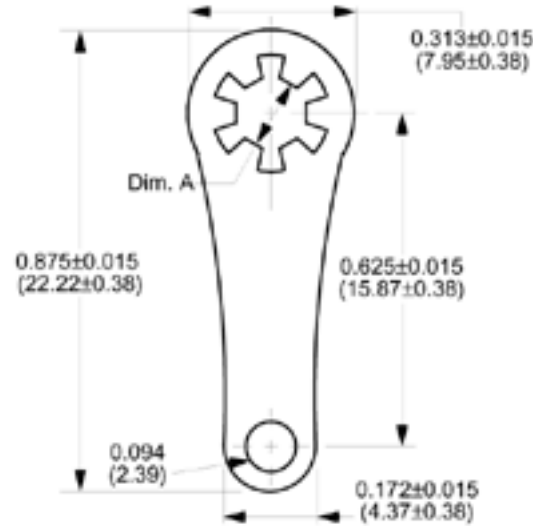
Part Number	Material Type	Finish Code	Inventory Type	Dim. 'A'
802-120	0.018" (0.46mm) Bronze	0	Stock	0.120" (3.05mm)
802-144	0.018" (0.46mm) Bronze	0	Stock	0.144" (3.66mm)
802-169	0.018" (0.46mm) Bronze	0	Stock	0.169" (4.29mm)

Part Numbers 803-xxx / MS 77067-x



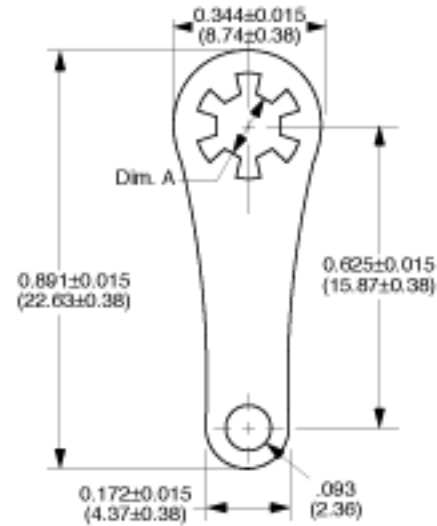
Part Number	Material Type	Finish Code	Inventory Type	Dim. 'A'
803-120	0.018" (0.46mm) Bronze	0	Stock	0.120" (3.05mm)
803-120-1	0.018" (0.46mm) Bronze	1	Stock	0.120" (3.05mm)
803-144	0.018" (0.46mm) Bronze	0	Stock	0.144" (3.66mm)
803-169	0.018" (0.46mm) Bronze	0	Stock	0.169" (4.29mm)
803-196	0.018" (0.46mm) Bronze	0	Special	0.196" (4.98mm)
803-196-1	0.018" (0.46mm) Bronze	1	Special	0.196" (4.98mm)
MS 77067-1	0.018" (0.46mm) Bronze	MS	Special	0.120" (3.05mm)
MS 77067-2	0.018" (0.46mm) Bronze	MS	Special	0.144" (3.66mm)
MS 77067-3	0.018" (0.46mm) Bronze	MS	Special	0.169" (4.29mm)

Part Numbers 801-xxx / MS 777070-x



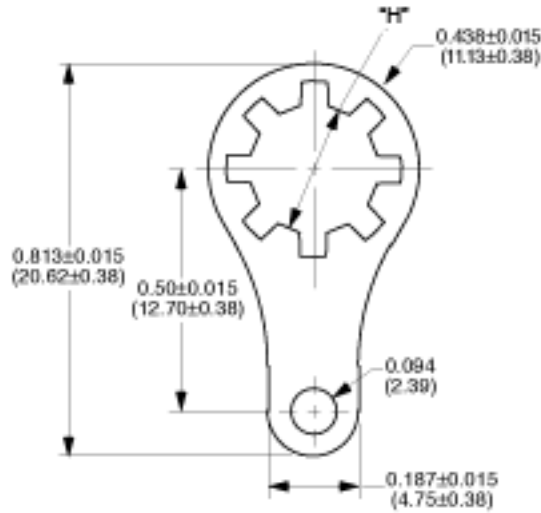
Part Number	Material Type	Finish Code	Inventory Type	Dim. 'A'
801-120	0.018" (0.46mm) Bronze	0	Special	0.115"/0.123" (2.92mm/3.12mm)
801-144	0.018" (0.46mm) Bronze	0	Stock	0.141"/0.150" (3.58mm/3.81mm)
801-169	0.018" (0.46mm) Bronze	0	Stock	0.168"/0.176" (4.27mm/4.47mm)
MS 777070-1	0.018" (0.46mm) Bronze	MS	Special	0.115"/0.123" (2.92mm/3.12mm)
MS 777070-2	0.018" (0.46mm) Bronze	MS	Special	0.141"/0.150" (3.58mm/3.81mm)
MS 777070-3	0.018" (0.46mm) Bronze	MS	Special	0.168"/0.176" (4.27mm/4.47mm)

Part Numbers 806-196 / MS 77070-5



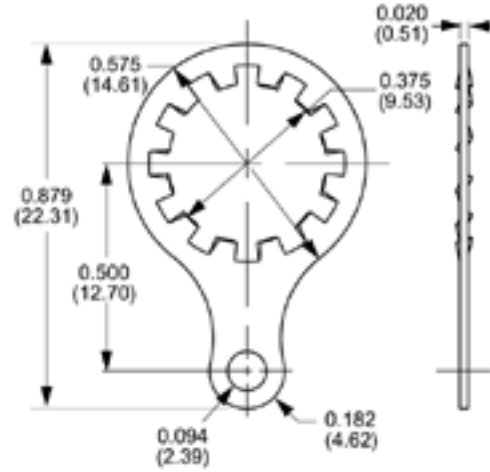
Part Number	Material Type	Finish Code	Inventory Type	Dim. 'A'
806-196	0.018" (0.46mm) Bronze	0	Stock	0.196" (4.98mm)
MS 77070-5	0.018" (0.46mm) Bronze	MS	Special	0.196" (4.98mm)

Part Numbers 813-224 / 813-264 / 813-264-1 / 813-264-2



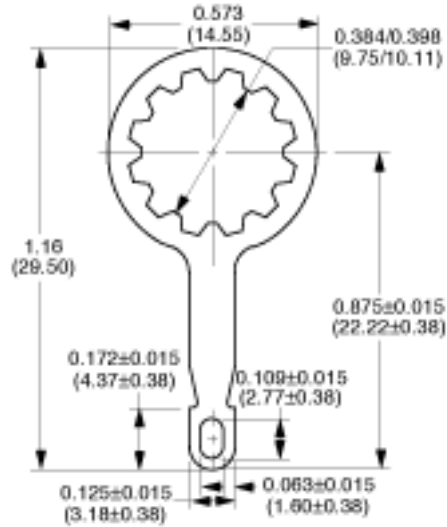
Part Number	"H"	Material Type	Finish Code	Inventory Type
813-224	0.224	0.018" (0.46mm) Bronze	0	Stock
813-264	0.264	0.018" (0.46mm) Bronze	0	Stock
813-264-1	0.264	0.018" (0.46mm) Bronze	1	Stock
813-264-2	0.264	0.018" (0.46mm) Bronze	2	Stock

Part Number 1000



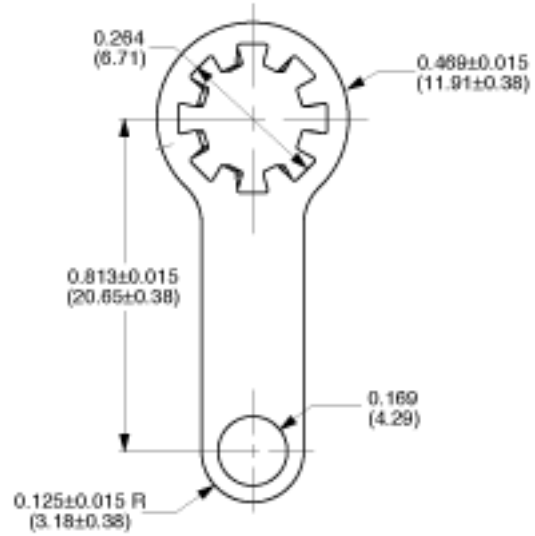
Part Number	Material Type	Finish Code	Inventory Type
1000	C26000 Brass	0	Special

Part Number 761-375



Part Number	Material Type	Finish Code	Inventory Type
761-375	0.025" (0.64mm) C26000 Brass	0	Stock

Part Number 762-264



Part Number	Material Type	Finish Code	Inventory Type
762-264	0.025" (0.64mm) C26000 Brass	0	Stock

Angled



[Part Numbers 932-265 / 936-xxx / 937-xxx / MS 77069-x / 77073-x](#)



[Part Numbers 809-xxx](#)



[Part Numbers 805-xxx / MS 77068-x](#)

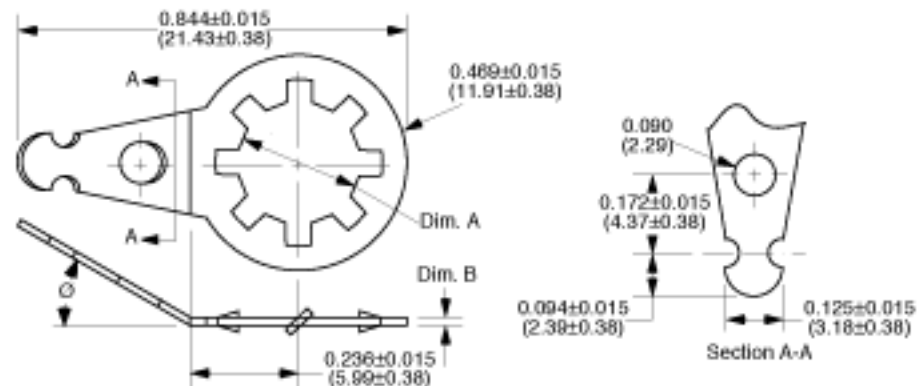


[Part Numbers 804-xxx / MS 77066-x](#)



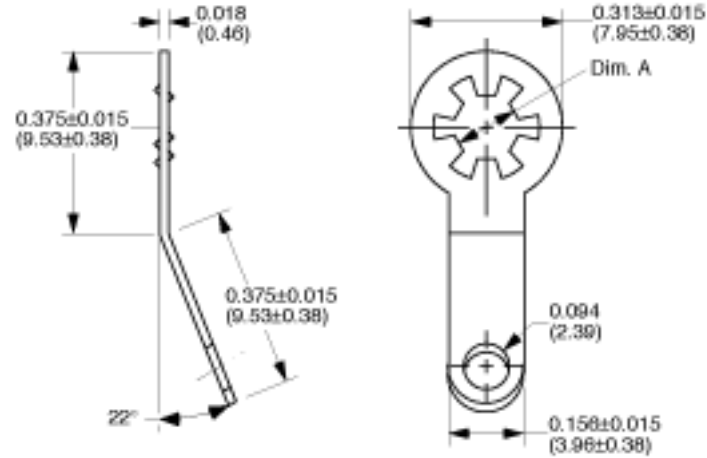
[Part Numbers 800-xxx](#)

Part Numbers 932-265 / 936-xxx / 937-xxx / MS 77069-x / 77073-x



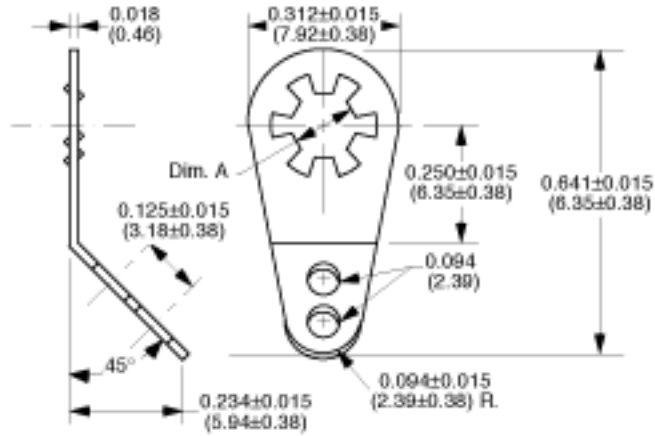
Part Number	Material Type	Finish Code	Inventory Type	Dim. 'A'	Dim. 'B'	Angle '0'
932-265	Bronze	0	Special	0.256"/0.267" (6.50mm/6.78mm)	0.018" (0.46mm)	30°
936-265	Bronze	0	Special	0.256"/0.267" (6.50mm/6.78mm)	0.018" (0.46mm)	0°
937-196-BR	C26000 Brass	0	Special	0.195"/0.204" (4.95mm/5.18mm)	0.025" (0.63mm)	30°
937-224-BR	C26000 Brass	0	Special	0.221"/0.231" (5.61mm/5.87mm)	0.025" (0.63mm)	30°
937-265-BR	C26000 Brass	0	Special	0.256"/0.267" (6.50mm/6.78mm)	0.025" (0.63mm)	30°
MS 77069-1	Bronze	MS	Special	0.195"/0.204" (4.95mm/5.18mm)	0.018" (0.46mm)	30°
MS 77069-2	Bronze	MS	Special	0.221"/0.231" (5.61mm/5.87mm)	0.018" (0.46mm)	30°
MS 77069-3	Bronze	MS	Special	0.256"/0.267" (6.50mm/6.78mm)	0.018" (0.46mm)	30°
MS 77073-1	Bronze	MS	Special	0.195"/0.204" (4.95mm/5.18mm)	0.018" (0.46mm)	0°
MS 77073-2	Bronze	MS	Special	0.256"/0.267" (6.50mm/6.78mm)	0.018" (0.46mm)	0°

Part Numbers 809-xxx



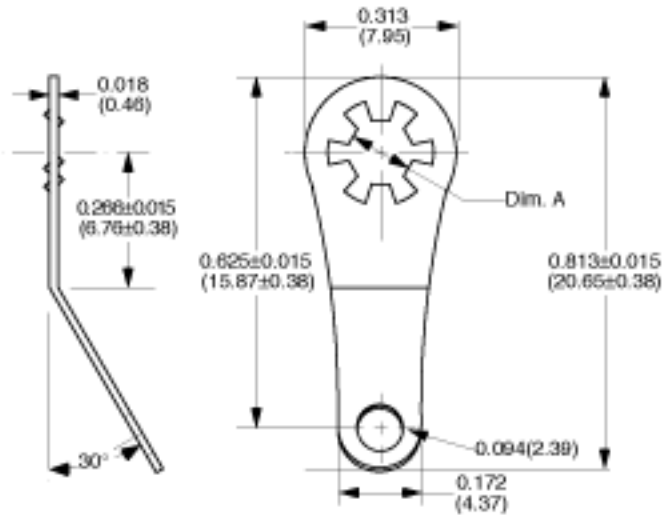
Part Number	Material Type	Finish Code	Inventory Type	Dim. 'A'
809-120	Bronze	0	Special	0.120" (3.05mm)
809-120	Bronze	5	Special	0.120" (3.05mm)
809-144	Bronze	0	Special	0.144" (3.66mm)
809-169	Bronze	0	Special	0.169" (4.29mm)

Part Numbers 805-xxx / MS 77068-x



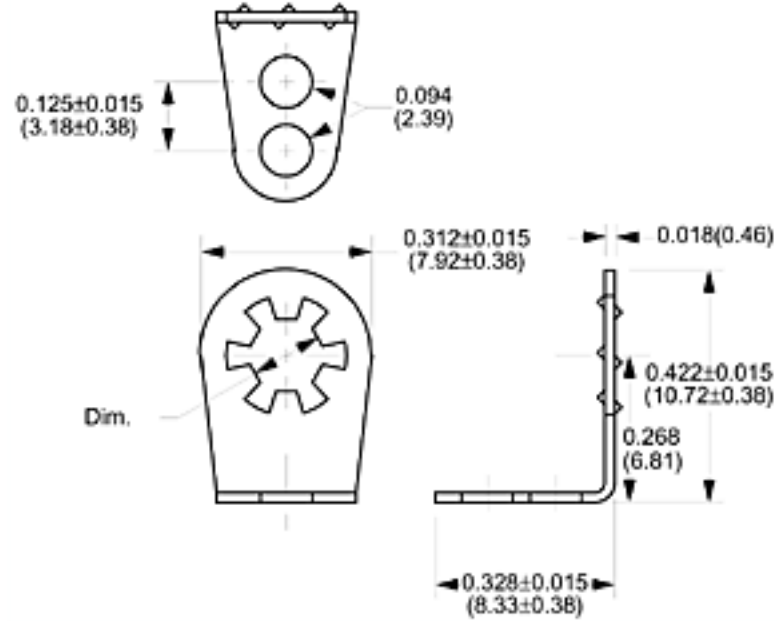
Part Number	Material Type	Finish Code	Inventory Type	Dim. 'A'
805-120	Bronze	0	Stock	0.120" (3.05mm)
805-144	Bronze	0	Stock	0.144" (3.66mm)
805-169	Bronze	0	Stock	0.169" (4.29mm)
805-196	Bronze	0	Stock	0.196" (4.98mm)
MS 77068-1	Bronze	0	Stock	0.120" (3.05mm)
MS 77068-2	Bronze	MS	Stock	0.144" (3.66mm)
MS 77068-3	Bronze	MS	Stock	0.169" (4.29mm)
MS 77068-4	Bronze	MS	Stock	0.196" (4.98mm)

Part Numbers 804-xxx / MS 77066-x



Part Number	Material Type	Finish Code	Inventory Type	Dim. 'A'
804-120	Bronze	0	Stock	0.115"/0.123" (2.92mm/3.12mm)
804-144	Bronze	0	Stock	0.141"/0.150" (3.58mm/3.81mm)
804-169	Bronze	0	Special	0.168"/0.176" (4.27mm/4.47mm)
MS 77066-1	Bronze	MS	Special	0.115"/0.123" (2.92mm/3.12mm)
MS 77066-2	Bronze	MS	Special	0.141"/0.150" (3.58mm/3.81mm)
MS 77066-3	Bronze	MS	Special	0.168"/0.176" (4.27mm/4.47mm)

Part Numbers 800-xxx



Part Number	Material Type	Finish Code	Inventory Type	Dim. 'A'
800-120	Bronze	0	Stock	0.120" (3.05mm)
800-144	Bronze	0	Special	0.144" (3.66mm)
800-169	Bronze	0	Special	0.169" (4.29mm)

Jumper Terminals



[Part Number 648-063](#)



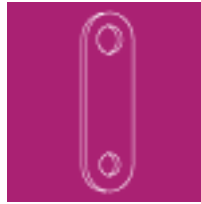
[Part Number 81-169](#)



[Part Number 547-196](#)



[Part Number 667](#)



[Part Number 335-196-156](#)

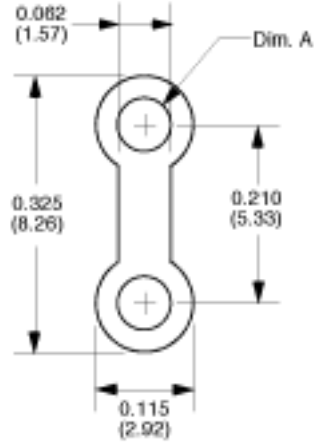


[Part Number 437](#)



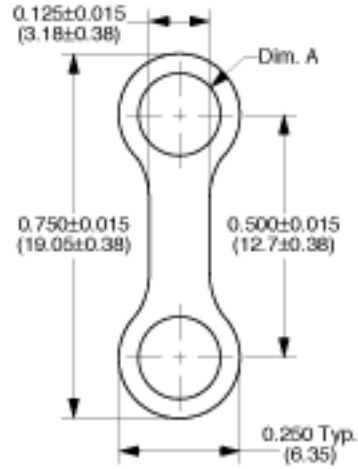
[Part Number 149-156](#)

Part Number 648-063



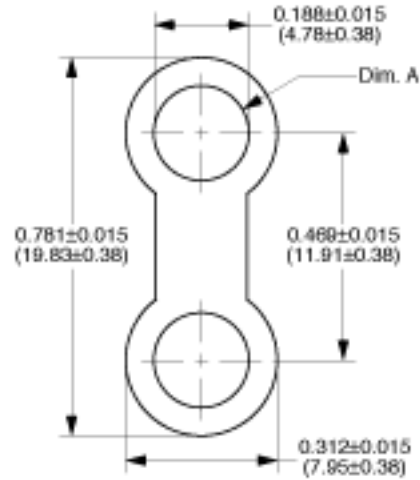
Part Number	Material Type	Finish Code	Inventory Type	Dim. 'A'
648-063	0.016" (0.41mm) C11000 Copper	0	Stock	0.063" (1.60mm)

Part Number 81-169



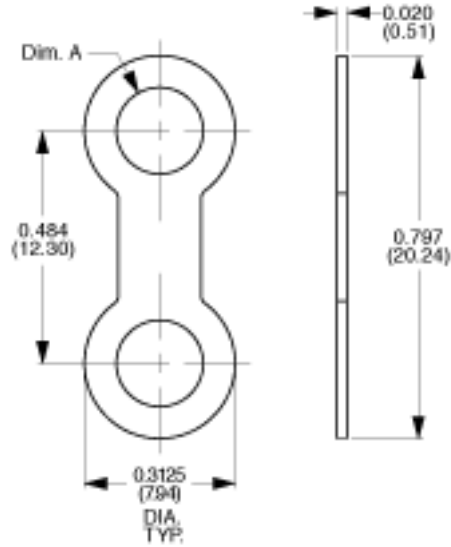
Part Number	Material Type	Finish Code	Inventory Type	Dim. 'A'
81-169	0.016" (0.41mm) C11000 Copper	0	Stock	0.169" (4.29mm)

Part Number 547-196



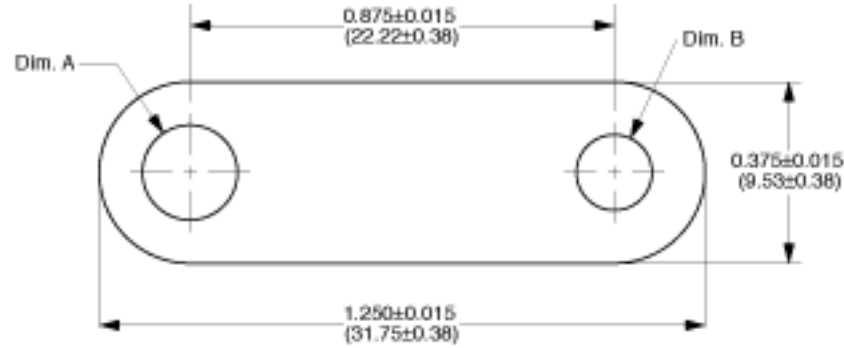
Part Number	Material Type	Finish Code	Inventory Type	Dim. 'A'
547-196	0.032" (0.81mm) C11000 Copper	0	Special	0.196" (4.98mm)

Part Number 667



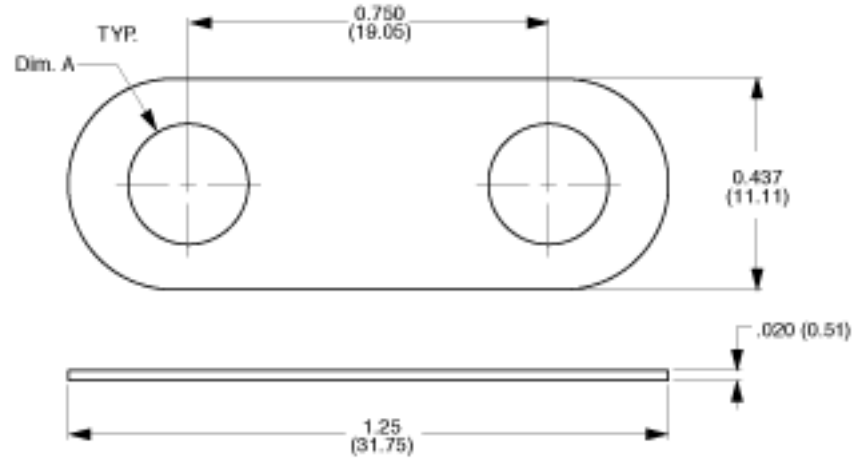
Part Number	Material Type	Finish Code	Inventory Type	Dim. 'A'
667	C26000 Brass	0	Special	0.180" (4.57mm)

Part Number 335-196-156



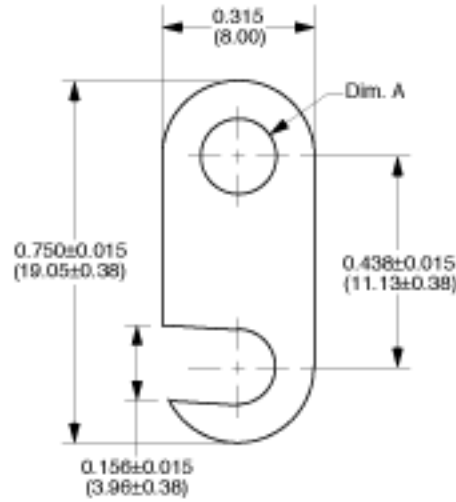
Part Number	Material Type	Finish Code	Inventory Type	Dim. 'A'	Dim. 'B'
335-196-156	0.032" (0.81mm) C26000 Brass	0	Stock	0.196" (4.98mm)	0.156" (3.96mm)

Part Number 437



Part Number	Material Type	Finish Code	Inventory Type	Dim. 'A'
437	C26000 Brass	0	Stock	0.250" (6.35mm)

Part Number 149-156



Part Number	Material Type	Finish Code	Inventory Type	Dim. 'A'
149-156	0.020" (0.51mm) C26000 Brass	0	Stock	0.156" (3.96mm)

Angle Brackets



[Part Number 246-144-125](#)



[Part Numbers 260-165 / 733-165](#)



[Part Numbers 176-144 / 723-144](#)



[Part Numbers 345-135 / 736-135 /
741-135](#)



[Part Numbers 372-136 / 865](#)

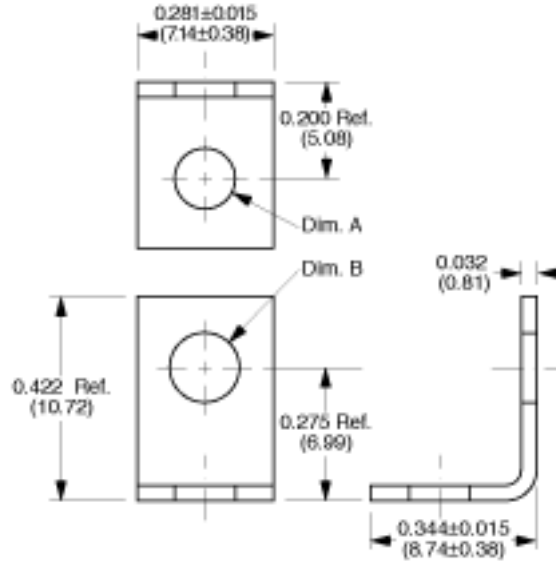


[Part Numbers 630-xxx](#)



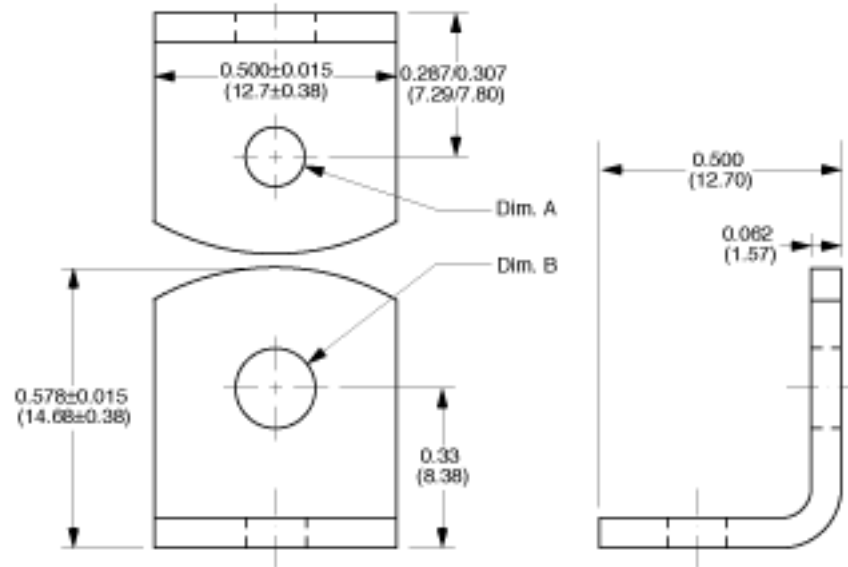
[Part Number 370-144](#)

Part Number 246-144-125



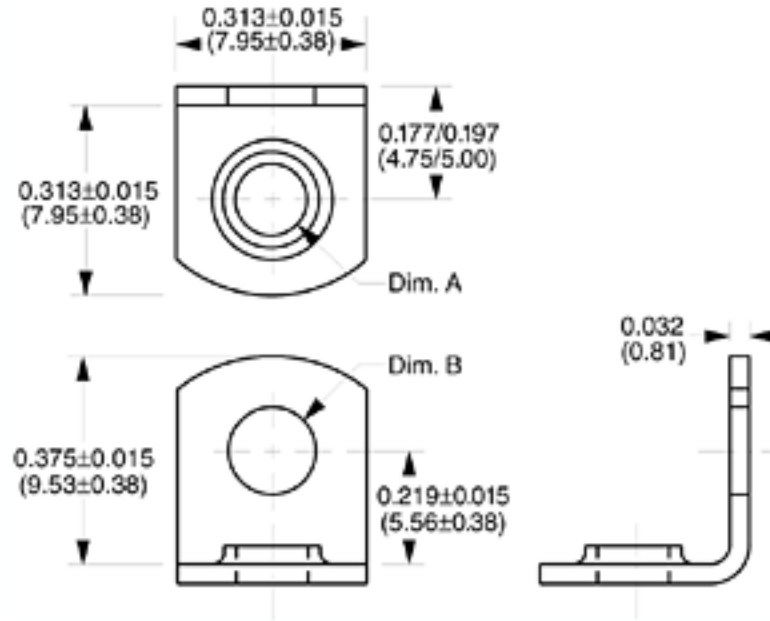
Part Number	Material Type	Finish Code	Inventory Type	Dim. 'A'	Dim. 'B'
246-144-125	C26000 Brass	8	Stock	0.144" (3.66mm)	0.125" (3.18mm)

Part Numbers 260-165 / 733-165



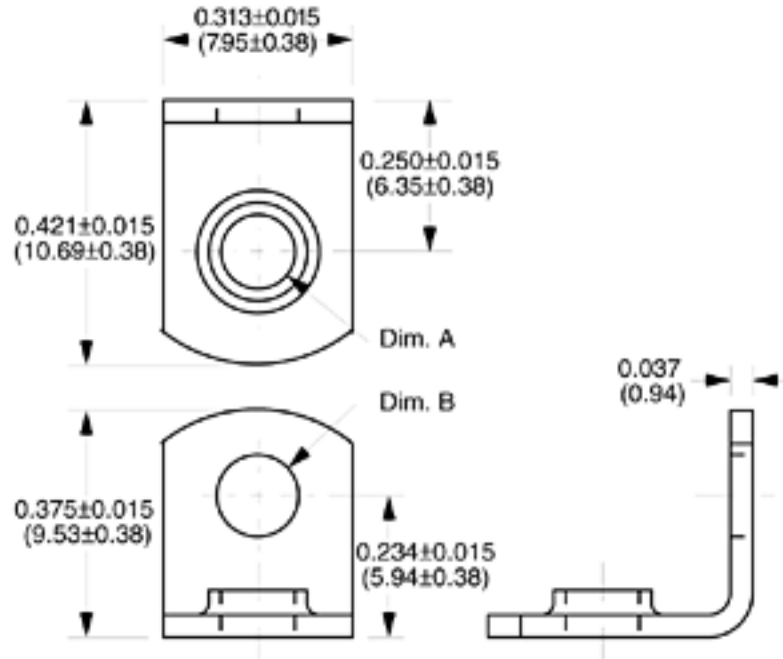
Part Number	Material Type	Finish Code	Inventory Type	Dim. 'A'	Dim. 'B'
260-165	Steel	8	Stock	6-32 Thread	0.165" (4.19mm)
733-165	Steel	8	Special	8-32 Thread	0.165" (4.19mm)

Part Numbers 176-144 / 723-144



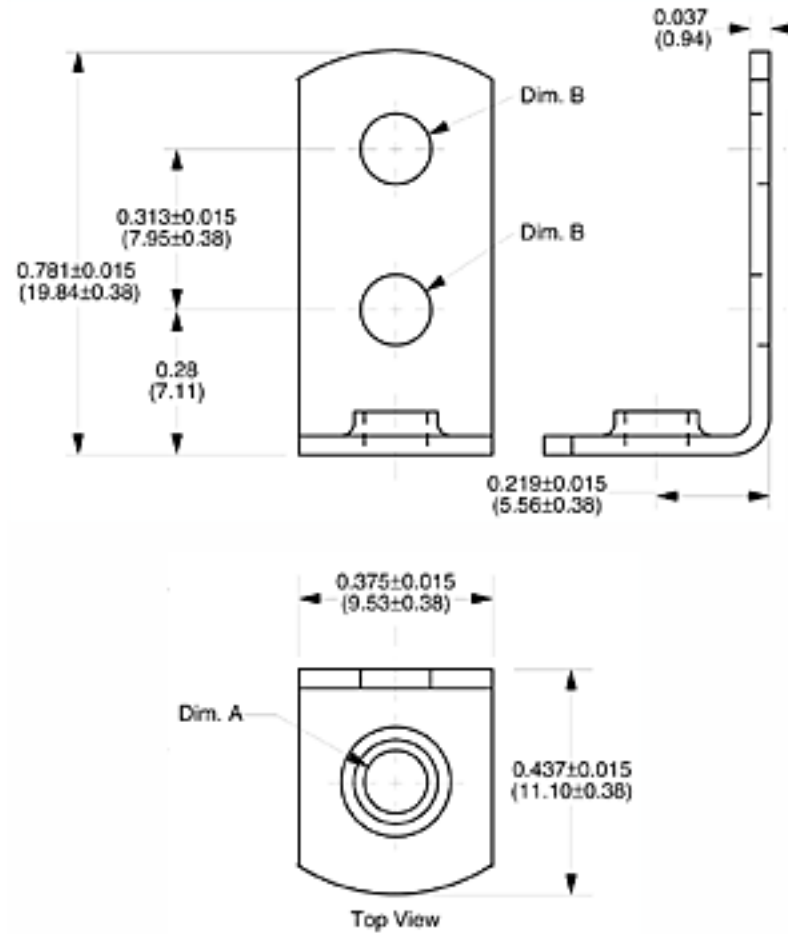
Part Number	Material Type	Finish Code	Inventory Type	Dim. 'A'	Dim. 'B'
176-144	C26000 Brass	8	Stock	6-32 Thread	0.144" (3.66mm)
723-144	C26000 Brass	8	Special	4-40 Thread	0.144" (3.66mm)

Part Numbers 345-135 / 736-135 / 741-135



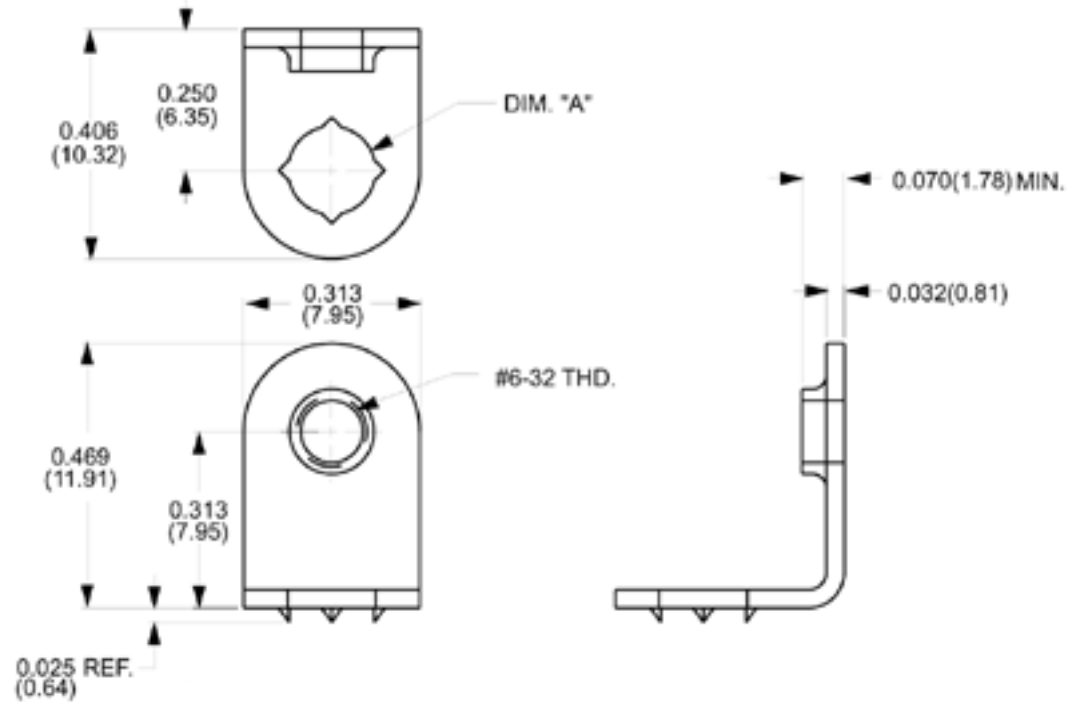
Part Number	Material Type	Finish Code	Inventory Type	Dim. 'A'	Dim. 'B'
345-135	C26000 Brass	8	Stock	8-32 Thread	0.135" (3.43mm)
736-135	C26000 Brass	8	Stock	6-32 Thread	0.135" (3.43mm)
741-135	C26000 Brass	8	Stock	4-40 Thread	0.135" (3.43mm)

Part Numbers 372-136 / 865



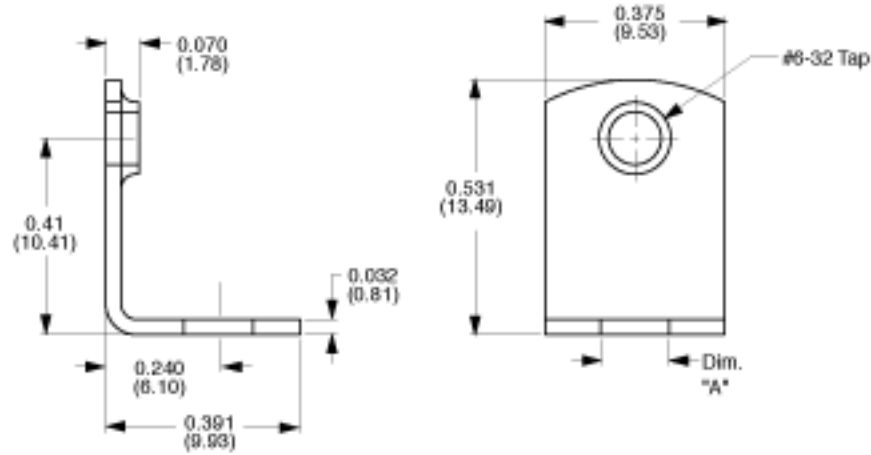
Part Number	Material Type	Finish Code	Inventory Type	Dim. 'A'	Dim. 'B'
372-136	Steel	8	Stock	8-32 Thread	0.135" (3.43mm)
865	Steel	8	Stock	6-32 Thread	0.135" (3.43mm)

Part Numbers 630-xxx



Part Number	Material Type	Finish Code	Inventory Type	Dim. 'A'
630-156	C26000 Brass	8	Stock	0.156"
630-156-STEEL	Steel	13	Special	0.156"

Part Number 370-144



Part Number	Material Type	Finish Code	Inventory Type	Dim. 'A'
370-144	C26000 Brass	8	Stock	0.144"

Cable Clamps



[Part Numbers 116-xxx](#)



[Part Numbers 139-xxx](#)

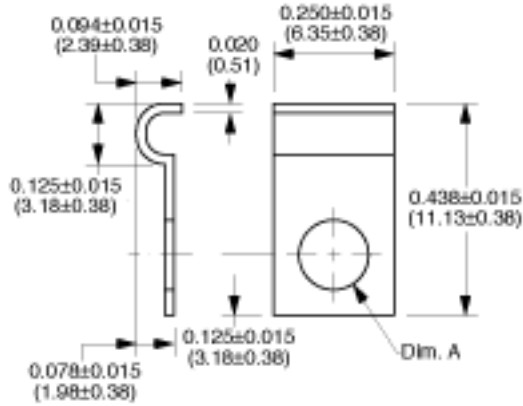


[Part Numbers 78-xxx](#)



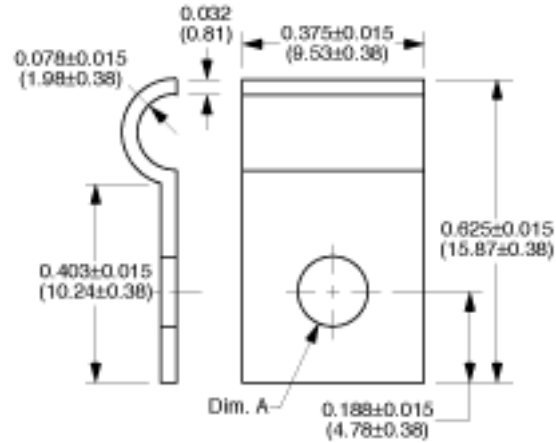
[Part Numbers 79-xxx](#)

Part Numbers 116-xxx



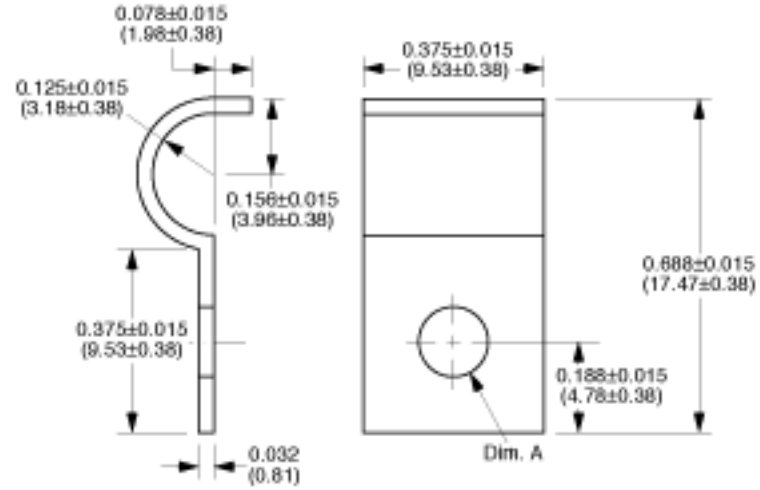
Part Number	Material Type	Finish Code	Inventory Type	Dim. 'A'
116-125	C26000 Brass	8	Stock	0.125" (3.18mm)
116-144	C26000 Brass	8	Stock	0.144" (3.66mm)

Part Numbers 139-xxx



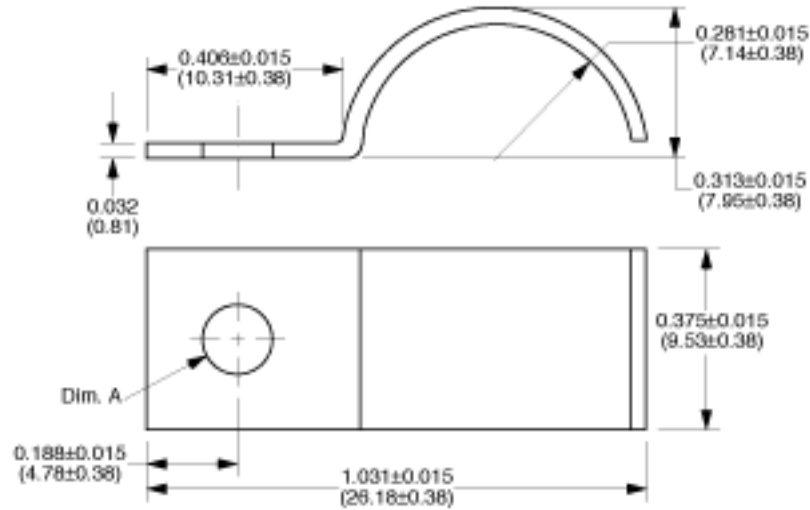
Part Number	Material Type	Finish Code	Inventory Type	Dim. 'A'
139-144	Steel	8	Stock	0.144"(3.66mm)
139-169	Steel	8	Stock	0.169"(4.98mm)
139-196	Steel	8	Stock	0.196"(4.98mm)

Part Numbers 78-xxx



Part Number	Material Type	Finish Code	Inventory Type	Dim. 'A'
78-144	Steel	8	Stock	0.144" (3.66mm)
78-169	Steel	8	Special	0.169" (4.29mm)
78-196	Steel	8	Special	0.196" (4.98mm)

Part Numbers 79-xxx

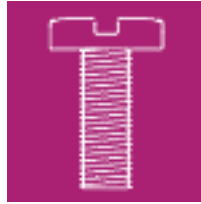


Part Number	Material Type	Finish Code	Inventory Type	Dim. 'A'
79-144	Steel	8	Stock	0.144"(3.66mm)
79-169	Steel	8	Stock	0.169"(4.98mm)
79-196	Steel	8	Stock	0.196"(4.98mm)

Screws and Wire Clamps



[Part Number 7/16 SEMS SCREW](#)

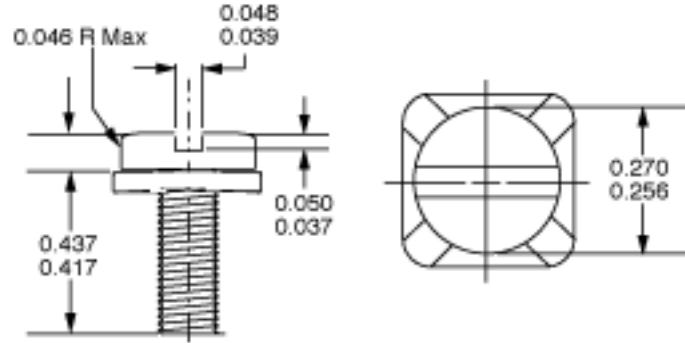


[Part Number 7/16 632 BET
SCREW](#)



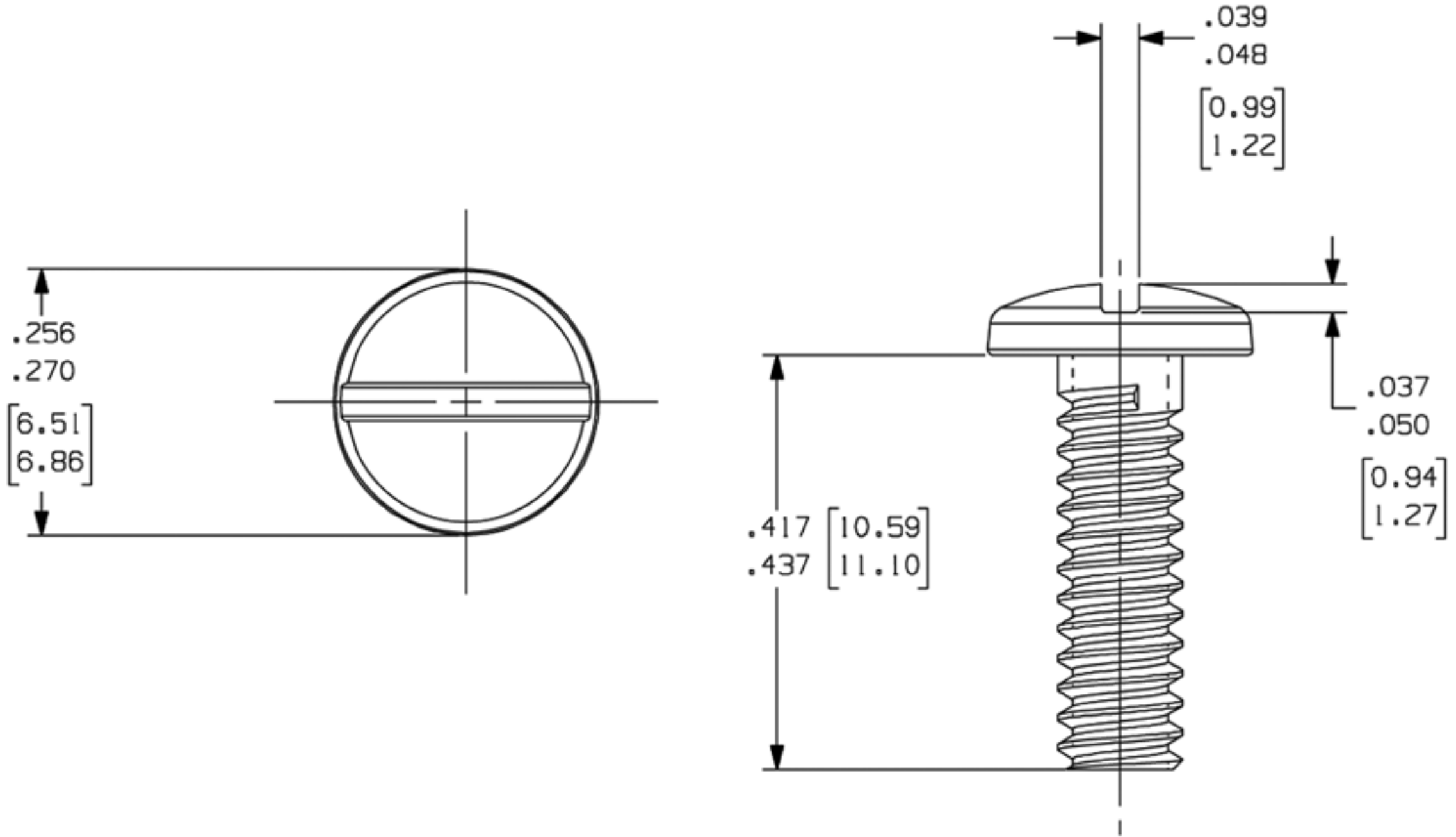
[Part Number CPB 9030](#)

Part Number 7/16 SEMS SCREW



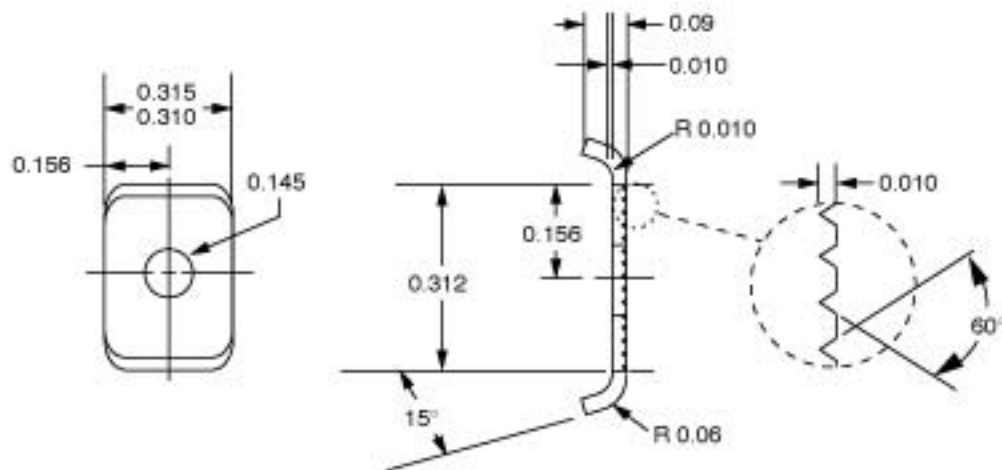
Part Number	Material Type	Finish Code	Inventory Type
7/16 SEMS SCREW	Steel	Zinc	Stock

Part Number 7/16 632 BET SCREW



Part Number	Material Type	Finish Code	Inventory Type
7/16 632 BET SCREW	C26000 Brass	8	Stock

Part Number CPB 9030



Features and Benefits

Part Number

Material Type

Finish Code

Inventory Type

CPB 9030

C26000 Brass

8

Stock

Strip Terminals



[Part Number 5045](#)



[Part Numbers 5015 / 5054](#)

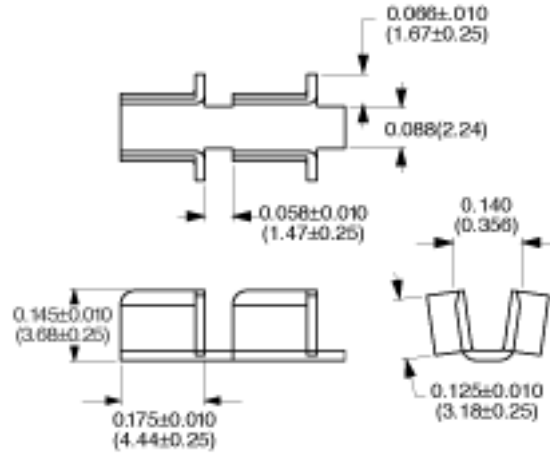


[Part Number 5000-130 SLOT-11](#)



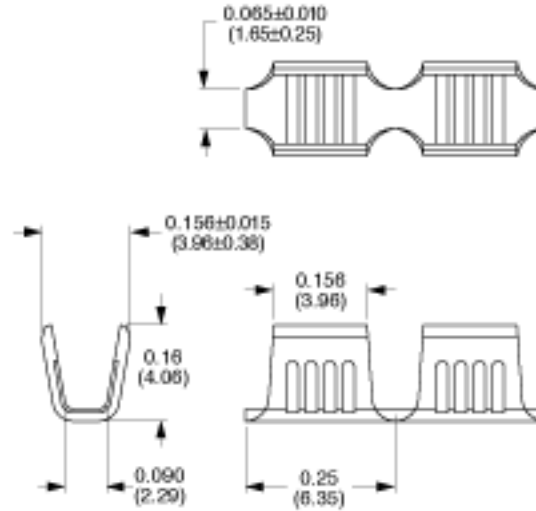
[Part Number 5017](#)

Part Number 5045



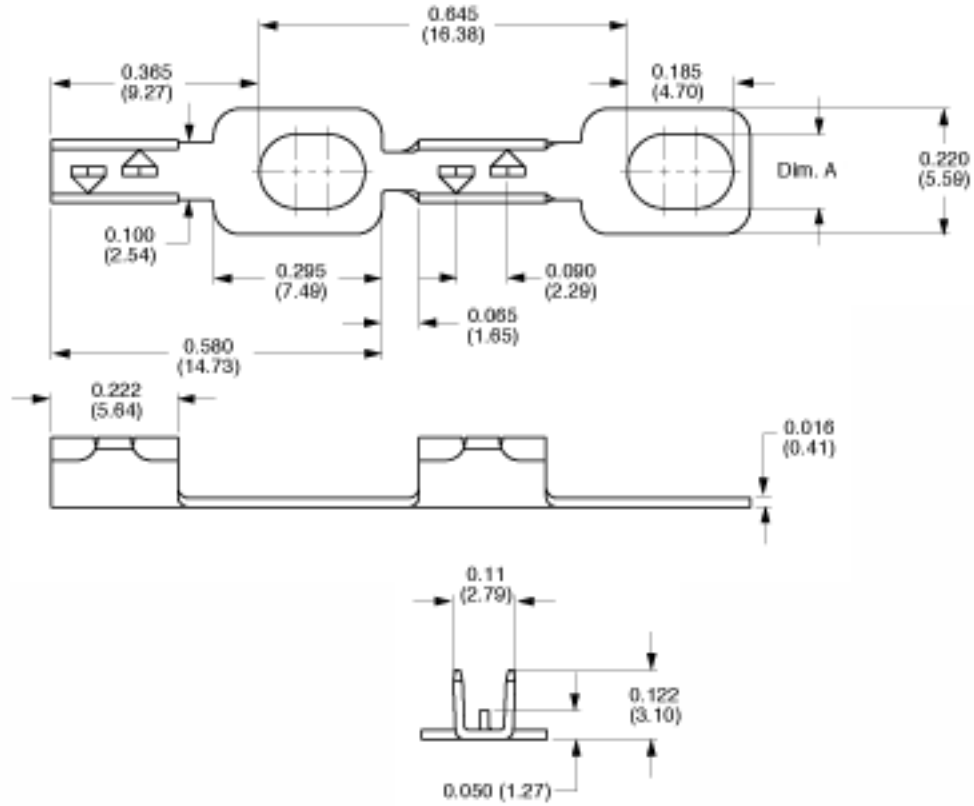
Part Number	Material Type	Finish Code	Inventory Type
5045	C26000 Brass	9	Special

Part Numbers 5015 / 5054



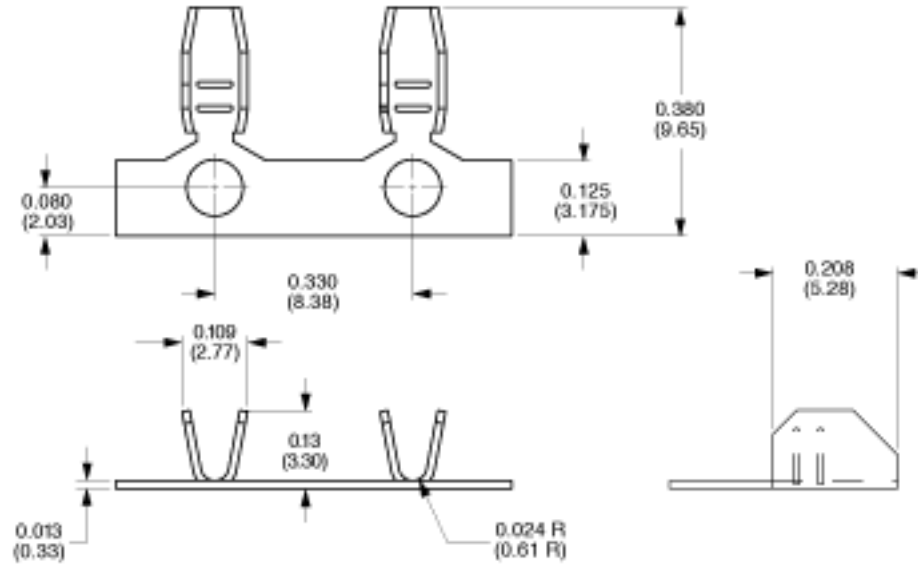
Part Number	Material Type	Finish Code	Inventory Type
5015	C26000 Brass	9	Special
5054	Steel	10	Special

Part Number 5000-130 SLOT-11



Part Number	Material Type	Finish Code	Inventory Type	Dim. 'A'
5000-130 SLOT-11	C26000 Brass	11	Special	0.130 Slot

Part Number 5017



Part Number	Material Type	Finish Code	Inventory Type
5017	C26000 Brass	9	Special

Specifications and Tolerances

The products contained in this catalog are manufactured in accordance with the following specifications and tolerances; unless otherwise indicated by the product illustration and/or product table.

Material:	Brass	CDA 26000	
	Bronze	CDA 42500	
	Copper	CDA 11000	
	Steel	Low Carbon Cold Rolled AISI 1010	
Material Thickness Tolerance:		<u>Quick Disconnect Terminals Per NEMA/UL/CSA</u>	<u>All Other Terminals (Non-NEMA/UL/CSA)</u>
	0.006"/0.009" Thickness	n/a	±0.0006"
	0.009"/0.013" Thickness	n/a	±0.0008"
	0.013"/0.017" Thickness	n/a	±0.0010"
	0.017"/0.021" Thickness	±0.001"	±0.0013"
	0.021"/0.026" Thickness	n/a	±0.0015"
	0.026"/0.050" Thickness	±0.001"	±0.002"
Manufacturing Tolerances:		x.xxx" ± 0.005"	
		x.xx" ± 0.01"	
Fractions:		±1/64"	
Angular:		±2°	
Hole Diameters:		+0.003"/-0.002"	
Burrs:		10% of Maximum Material Thickness	
Millimeter Dimensions:		For Reference Only	
Illustration Scale:		2X (Unless Specified Otherwise)	
Material Standards:		In Accordance with ASTM B36 & B38	
Quick Disconnect Terminals:		In Accordance with: ANSI/NEMA Standards Publication No. 2-1982(1988), Underwriters Laboratories Inc. Standard No. UL 310, Canadian Standards Assoc. CSA Std C22.2No.153-M1981	

Please Note: Due to product improvements, products illustrated in this catalog are subject to change and revision at the discretion of the manufacturer. It is suggested that you contact your Zierick representative for the latest specifications for items being considered.



Plating Specifications

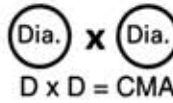
Zierick's standard finish is a minimum of 150 millionths of 100% tin over a minimum of 100 millionths copper. If there is no dash after the Part Number, the finish is as stated in the product description. Finishes other than standard are explained in the table below.

Finish Description	
0	0.000150" (0.0038mm) 100% Matte Tin over 0.000100" (0.0025mm) Copper
1	0.000050" (0.0013mm) Hot Solder Dip (60% Tin, 40% Lead)
2	0.000050" (0.0013mm) Hot Tin Dip (100% Tin)
3	0.000150" (0.0038mm) Bright Tin over 0.000100" (0.0025mm) Copper
4	0.000100" (0.0025mm) Nickel <i>Note: Not recommended for parts which will be soldered.</i>
5	Cleaned and Polished
6	0.000150" (0.0038mm) 95/5 Matte Tin/Lead over 0.000100" (0.0025mm) Copper
7	0.000100" (0.0025mm) Bright Tin <i>Note: Not recommended for parts which will be soldered.</i>
8	0.000100" (0.0025mm) Matte Tin <i>Note: Not recommended for parts which will be soldered.</i>
9	No finish (Bare Base Metal)
10	Pre-Finished Ni over base metal
11	Pre-Finished 100% Hot Tin Dip (consult factory for thickness). Material edges will be bare.
12	Pre-Finished 0.000150" (0.0038mm) 95/5 Matte Tin/Lead over 0.000100" (0.0025mm) Copper. Material edges will be bare.
13	0.000150" (0.0038mm) 100% Matte Tin over Steel
14	0.000005" (0.00013mm) Gold over 0.000050" (0.0013mm) Nickel
15	0.000200" (0.0051mm) 100% Matte Tin over 0.000100" (0.0025mm) Nickel
16	Pre-finished 100% Matte Tin 0.000150" (0.0038mm) over 0.000100" (0.0025mm) Copper. Edges will be bare.
19	0.00003" (0.00076mm) Gold over 0.000030" Min (0.00077mm) Nickel
MS	Parts made to military standards have the prefix MS before the part number and are plated to the military standard of 0.0005" (0.0127mm) Min 100% Tin over 0.000150" (0.0038mm) Copper
SP	Special finish (consult factory)
Solderability: In Accordance with ANSI/J-STD-002, category 3, test method appropriate to the test sample.	

This table does not represent all available finish types.
 Finishes other than the standard will be special orders; pricing and availability may vary.
 Please consult factory.

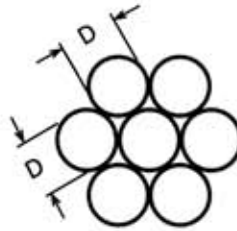
HOW TO COMPUTE CIRCULAR MIL AREA OF (CMA) OF VARIOUS SHAPES OF WIRE

Round Solid Wire AWG



Multiply the diameter in Mils by itself. CMA = D²

Stranded Wire AWG



D x D x Number
of Strands = CMA

Multiply the diameter of one strand
(in mils) by itself, and then multiply the
result by the total number of strands.

WIRE SIZES

WIRE SIZE AWG.	STRANDS		AREA CIRC. MILLS	TOTAL DIA.	WIRE SIZE AWG.	STRANDS		AREA CIRC. MILLS	TOTAL DIA.	WIRE SIZE AWG.	STRANDS		AREA CIRC. MILLS	TOTAL DIA.
	NUMBER	DIA.				NUMBER	DIA.				NUMBER	DIA.		
#26	1	.0159	254	.016	#20	26	.0063	1,035	.039	#14	7	.025	4,494	.076
#26	8	.0056	252	.018	#20	10	.010	1,005	.040	#14	41	.010	4,141	.077
#26	10	.005	250	.018	#20	7	.0126	1,120	.040					
#25	1	.0179	320	.018	#18	1	.040	1,600	.040	#12	1	.0808	6,530	.081
#25	10	.0056	315	.020	#18	19	.0092	1,607	.046	#12	19	.0179	6,088	.090
#25	8	.0063	318	.021	#18	7	.0153	1,639	.046	#12	7	.0306	6,512	.091
					#18	65	.005	1,625	.048	#12	19	.0185	6,504	.092
#24	1	.0201	404	.020	#18	16	.010	1,616	.049	#12	37	.0133	6,524	.093
#24	8	.0071	398	.023	#18	41	.0063	1,640	.049	#12	84	.0089	6,695	.094
#24	10	.0063	398	.023	#18	7	.0152	1,779	.050	#12	165	.0063	6,567	.095
#24	7	.008	448	.024	#18					#12	65	.010	6,565	.097
#23	1	.0226	510	.023	#16	1	.0508	2,583	.051					
#23	10	.0071	501	.026	#16	7	.0192	2,580	.058	#10	1	.1019	10,380	.102
#23	8	.008	506	.026	#16	19	.0117	2,601	.058	#10	7	.0385	10,380	.115
					#16	65	.0063	2,587	.059	#10	105	.010	10,550	.116
					#16	105	.005	2,625	.059	#10	37	.0167	10,320	.117
#22	1	.0253	642	.025	#16	19	.0117	2,409	.061	#10	19	.0234	10,400	.117
#22	21	.005	525	.025	#16	26	.010	2,625	.061	#10	90	.0089	9,090	.120
#22	6	.010	600							#10	37	.010	10,445	.122
#22	8	.0089	632	.029										
#22	10	.008	638	.029	#14	1	.064	4,107	.064	#8	1	.1285	16,510	.129
#22	7	.010	700	.030	#14	37	.0105	4,081	.073	#8	7	.0486	16,530	.146
#22	16	.0063	636	.029	#14	7	.0242	4,099	.073	#8	37	.0211	16,470	.148
					#14	105	.0063	4,179	.073	#8	19	.0295	16,540	.148
#20	1	.032	1,024	.032	#14	19	.0147	4,106	.074	#8	133	.0111	16,390	.166
#20	19	.007	950	.036	#14	84	.0071	4,208	.074	#8	49	.0184	16,590	.166
#20	7	.012	1,025	.036										

Drill Sizes... In Decimals

Drill Size	Decimal	Drill Size	Decimal	Drill Size	Decimal	Drill Size	Decimal	Drill Size	Decimal	Drill Size	Decimal	Drill Size	Decimal
80	.0135	60	.0400	42	.0935	24	.1520	13/64	.2031	9/32	.2812	X	.3970
79	.0145	59	.0410	3/32	.0938	23	.1540	6	.2040	L	.2900	Y	.4040
1/64	.0156	58	.0420	41	.0960	5/32	.1562	5	.2055	M	.2950	13/32	.4062
78	.0160	57	.0430	40	.0980	22	.1570	4	.2090	19/64	.2969	Z	.4130
77	.0180	56	.0465	39	.0995	21	.1590	3	.2130	N	.3020	27/64	.4219
76	.0200	3/64	.0469	38	.1015	20	.1610	7/32	.2188	5/16	.3125	7/16	.4375
75	.0210	55	.0520	37	.1040	19	.1660	2	.2210	O	.3160	29/64	.4531
74	.0225	54	.0550	36	.1065	18	.1695	1	.2280	P	.3230	15/32	.4688
73	.0240	53	.0595	7/64	.1094	11/64	.1719	A	.2340	21/64	.3281	31/64	.4844
72	.0250	1/16	.0625	35	.1100	17	.1730	15/64	.2344	O	.3320	1/2	.5000
71	.0260	52	.0635	34	.1110	16	.1770	B	.2380	R	.3390	33/64	.5156
70	.0280	51	.0670	33	.1130	15	.1800	C	.2420	11/32	.3438	17/32	.5312
69	.0292	50	.0700	32	.1160	14	.1820	D	.2460	S	.3480	35/64	.5469
68	.0310	49	.0730	31	.1200	12	.1850	1/4	.2500	T	.3580	9/16	.5625
1/32	.0312	48	.0760	1/8	.1250	3/16	.1875	E	.2500	23/64	.3594	37/64	.5781
67	.0320	5/6	.0781	30	.1285	12	.1890	F	.2570	U	.3680	19/32	.5938
66	.0330	47	.0785	29	.1360	11	.1910	G	.2610	3/8	.3750	39/64	.6094
65	.0350	46	.0810	28	.1405	10	.1935	17/64	.2656	V	.3770	5/8	.6250
64	.0360	45	.0820	9/64	.1406	9	.1960	H	.2660	W	.3860	41/64	.6406
63	.0370	44	.0860	27	.1440	8	.1990	I	.2720	25/64	.3906	21/32	.6562
62	.0380	43	.0890	26	.1470	7	.2010	J	.2770			42/64	.6719
61	.0390			25	.1495			K	.2810			11/16	.6875

Machine Screw Size & Stud Hole Table

Screw or Stud Size	Stud Diameter Inch	Maximum Diameter	Stud Hole Diameter Inch	Zierick Recommended Hole Diameter
0	●	.060	○	.067
1	●	.073	○	.078
2	●	.086		.093
3	●	.099	○	.105
4	●	.112		.120
5	●	.125	○	.130
6	●	.138		.144
8	●	.164	○	.169
10	●	.190	○	.196
12	●	.216	○	.220
14	●	.242	○	.250
1/4	●	.250	○	.257

Typical Properties of Selected Materials

	BRASS CDA-26000 HH/SPRING	COPPER CDA-11000 HH/SPRING	BRONZE CDA-42500 HH/SPRING	PHOS. BRONZE CDA-51000 HH/SPRING	BERYLLIUM COPPER CDA-17500 HH/HARD	STEEL SAE-1010	SPRING STEEL HEAT TREATED	STAINLESS STEEL 300 SERIES
HH-Half Hard								
Tensile Strength (KSI)	62/94	42/55	62/90	68/100	68/78	65	194	90
Shear Strength (KSI)	40/48	26/29	---	---	---	45	---	67
Elongation (%)	25/3	14/4	18/3	28/4	8/5	30	4	55
Modulus of Elasticity (PSI x (10 ⁶))	16	17	18	16	19	30	30	28
Specific Gravity	8.53	8.92	8.75	8.86	8.75	7.85	7.85	7.90
Density (lb./cu. in.)	.308	.322	.316	.320	.316	.283	.283	.285
Electrical Conductivity (% of copper)	28	100	20	15	45	12	10	2
Melting Point (°F)	1680	1949	1850	1750	1885	2765	2765	2680
Thermal Conductivity (BTU/hr/ft ² / °F/ft)	70	226	52	40	120	34	29	10
Coefficient of Thermal Expansion (in/in °F) (10 ⁻⁶)	11.1	9.4	10.2	9.9	9.8	6.5	6.7	9.6
Specific Heat (BTU/lb °F)	.09	.092	.09	.09	.10	.11	.11	.12

HH: Half Hard Temper